

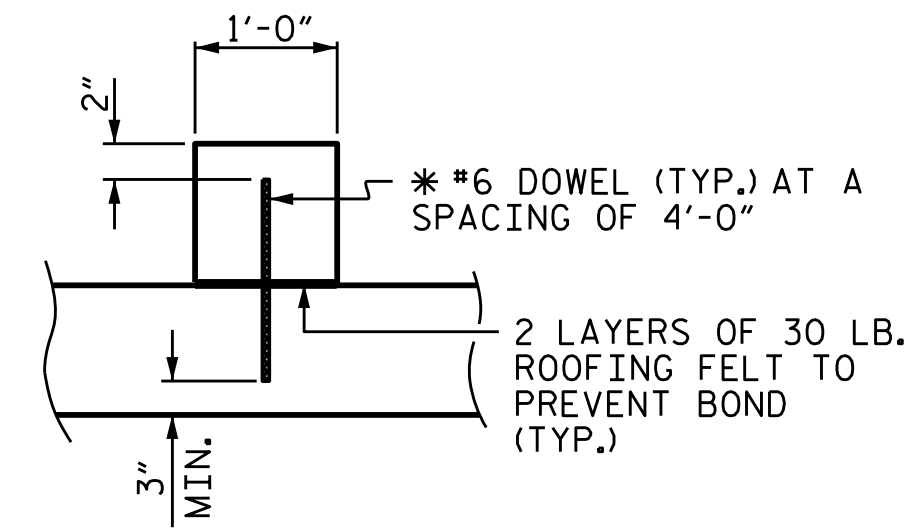
PLAN OF FLOOR SILL LAYOUT

BAR TYPE				BAR SCHEDULE		
	A1	200	#4	1	5'-7"	746
	A2	200	#4	1	4'-3"	568
	A100	100	#4	STR	13'-6"	902
	A200	55	#4	STR	13'-6"	496
	A300	100	#4	STR	13'-6"	902
	A400	100	#4	STR	13'-6"	902
	B1	110	#4	STR	7'-1"	520
	B2	200	#4	STR	5'-4"	713
	B3	100	#4	STR	7'-1"	473
	C1	108	#4	STR	25'-9"	1858
	D1	8	#6	STR	1'-3"	15
	D2	4	#6	STR	2'-3"	14
	G1	8	#5	STR	13'-6"	113
REINFORCING STEEL						8,222 LBS

DIMENSIONS ARE OUT TO OUT

SPLICE LENGTHS CHART

BAR	SIZE	SPLICE LENGTH
"B"	#4	1'-10"
C1	#4	1'-10"
A200	#4	1'-10"
A400	#4	1'-10"



SECTION THROUGH SILL

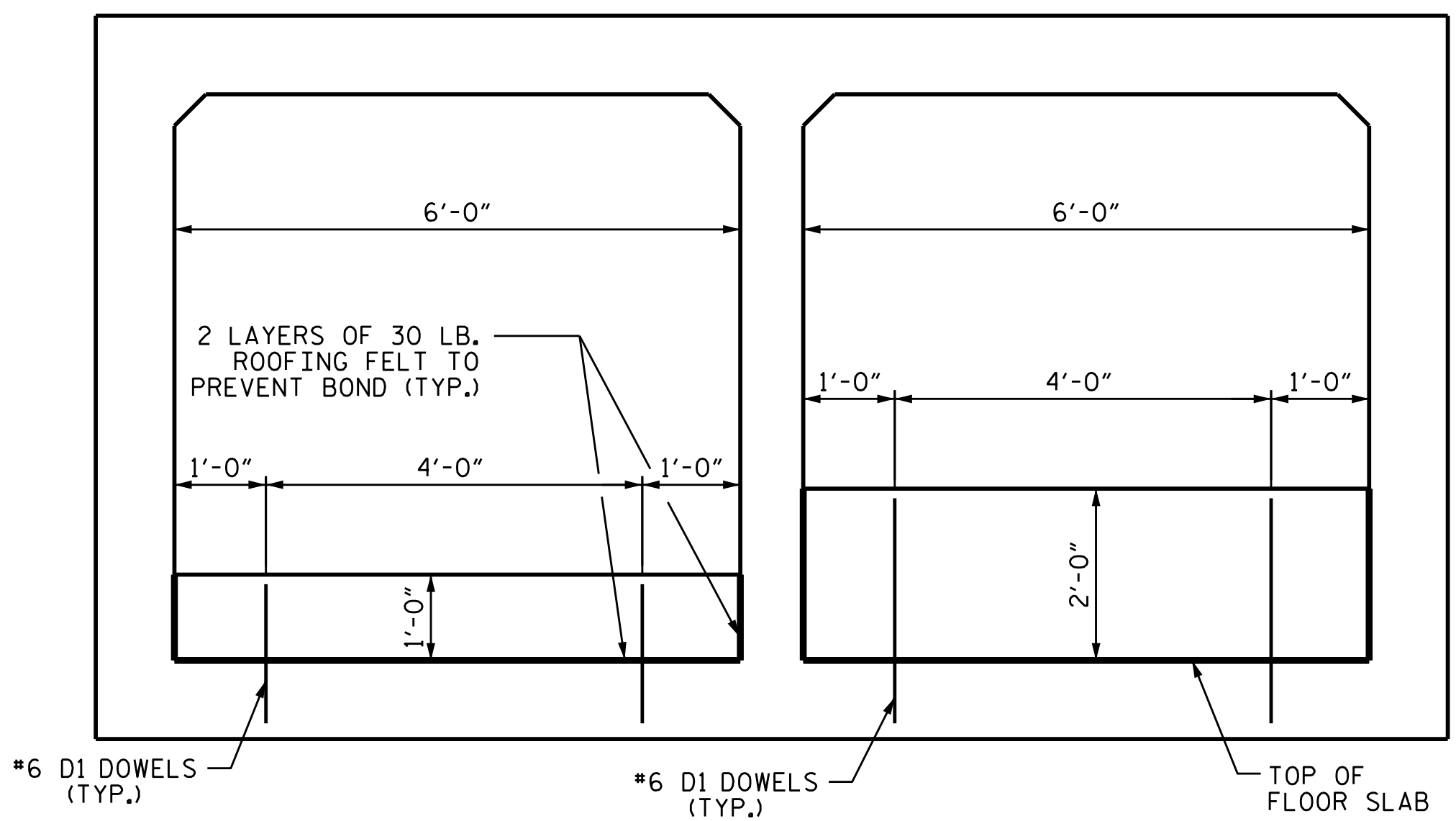
\* DOWELS MAY BE PUSHED INTO GREEN CONCRETE AFTER SLAB HAS BEEN FLOAT FINISHED.

NOTES

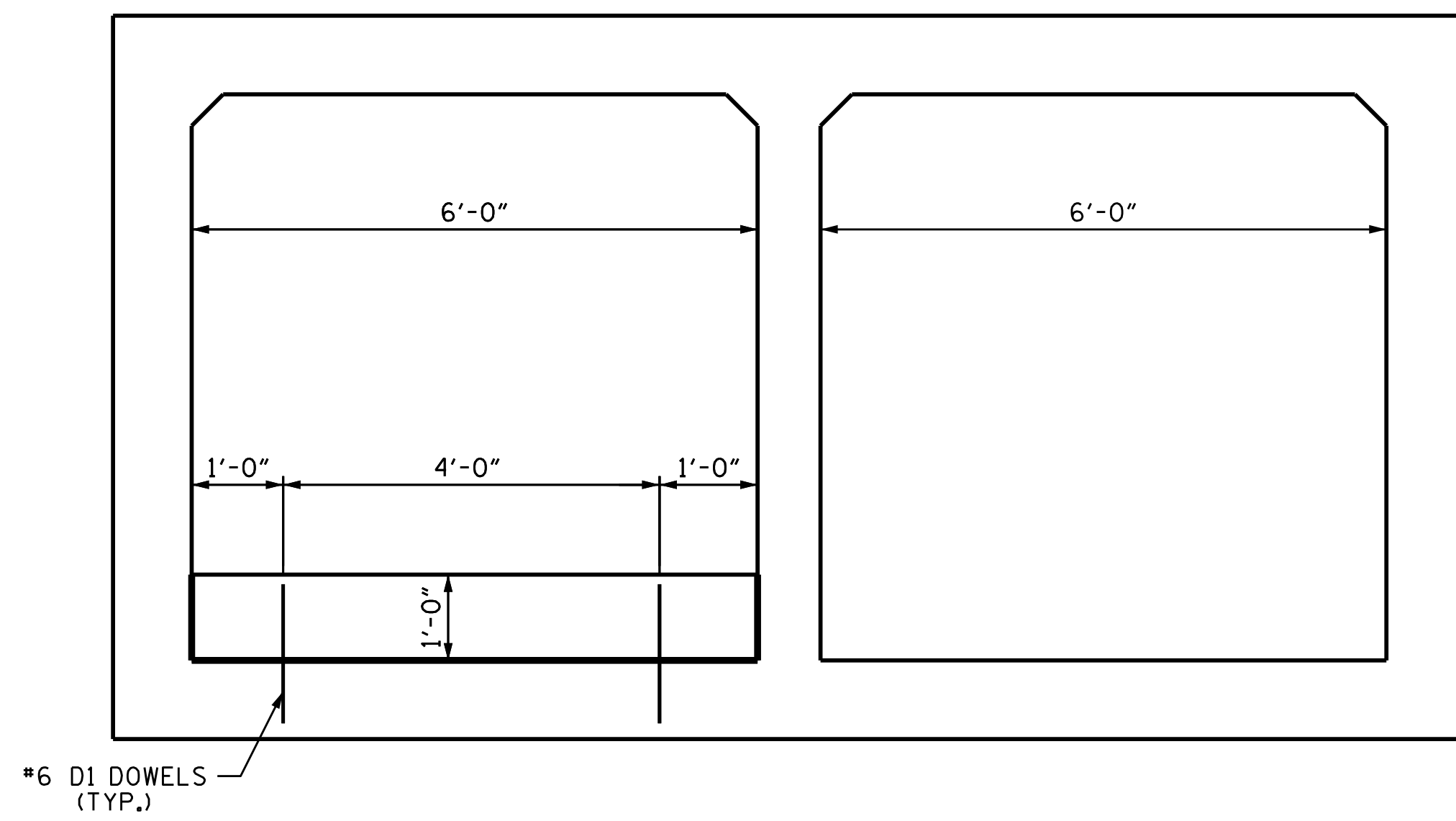
MATERIAL EXCAVATED FROM THE EXISTING BED SHALL BE STOCKPILED FOR USE IN THE PROPOSED CULVERT. BED MATERIAL MAY BE SUPPLEMENTED WITH CLASS B RIP RAP AS NECESSARY. NATIVE MATERIAL SHOULD BE PLACED ON TOP TO PROVIDE A FLAT SURFACE FOR ANIMAL PASSAGE. BED MATERIAL IS SUBJECT TO THE APPROVAL BY THE ENGINEER AND MAY BE SUBJECT TO PERMIT CONDITIONS.

THE ENTIRE COST OF WORK REQUIRED TO PLACE EXCAVATED MATERIAL OR SUPPLEMENTAL MATERIAL AS SHOWN ON THE PLANS SHALL BE INCLUDED IN THE CONTRACT LUMP SUM PRICE BID FOR CULVERT EXCAVATION.

THE ENTIRE COST OF WORK REQUIRED TO CONSTRUCT THE SILLS SHALL BE INCLUDED IN THE VARIOUS PAY ITEMS.



INLET/OUTLET SILL ELEVATION  
LOOKING DOWNSTREAM



INTERNAL SILL ELEVATION  
LOOKING DOWNSTREAM

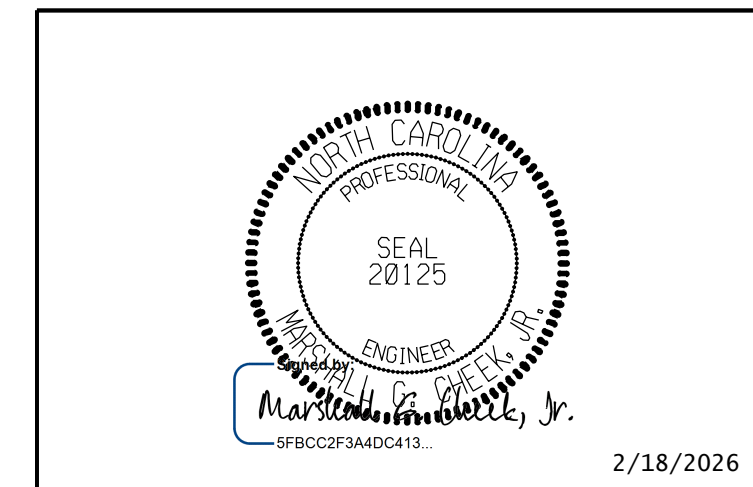
SILL DETAILS

DRAWN BY : STM DATE : 01/22  
 CHECKED BY : MGC DATE : 01/22  
 DESIGN ENGINEER OF RECORD: STM DATE : 01/22

9/17/2025 X:\NCDOT\A-0009\Structures\A-0009CD\STR\_\*3 10+67.00 -Y2A-\Final Plans\DCNs\413.011.A-0009CD.SMU.CU06.dgn User:zsmith

PROJECT NO. A-0009CD  
GRAHAM COUNTY  
 STATION: 10+67.00 -Y3A-

SHEET 6 OF 7



STATE OF NORTH CAROLINA  
 DEPARTMENT OF TRANSPORTATION  
 RALEIGH

DOUBLE 6 FT. X 6 FT.  
 CONCRETE BOX CULVERT

DOCUMENT NOT CONSIDERED FINAL UNLESS ALL SIGNATURES COMPLETED						REVISIONS			SHEET NO.
NO.	BY:	DATE:	NO.	BY:	DATE:	C2-6			
1			3			TOTAL SHEETS 7			
2			4						