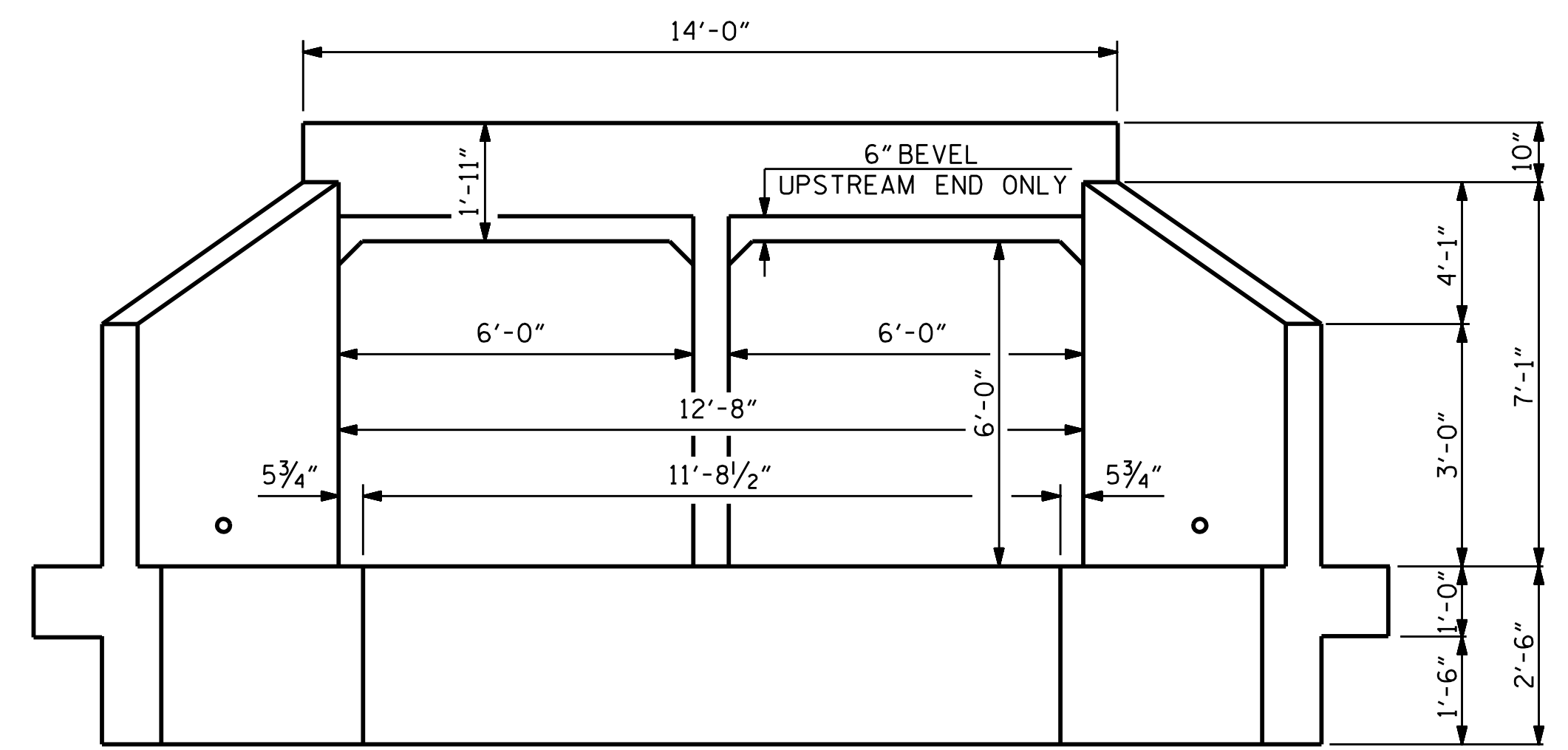
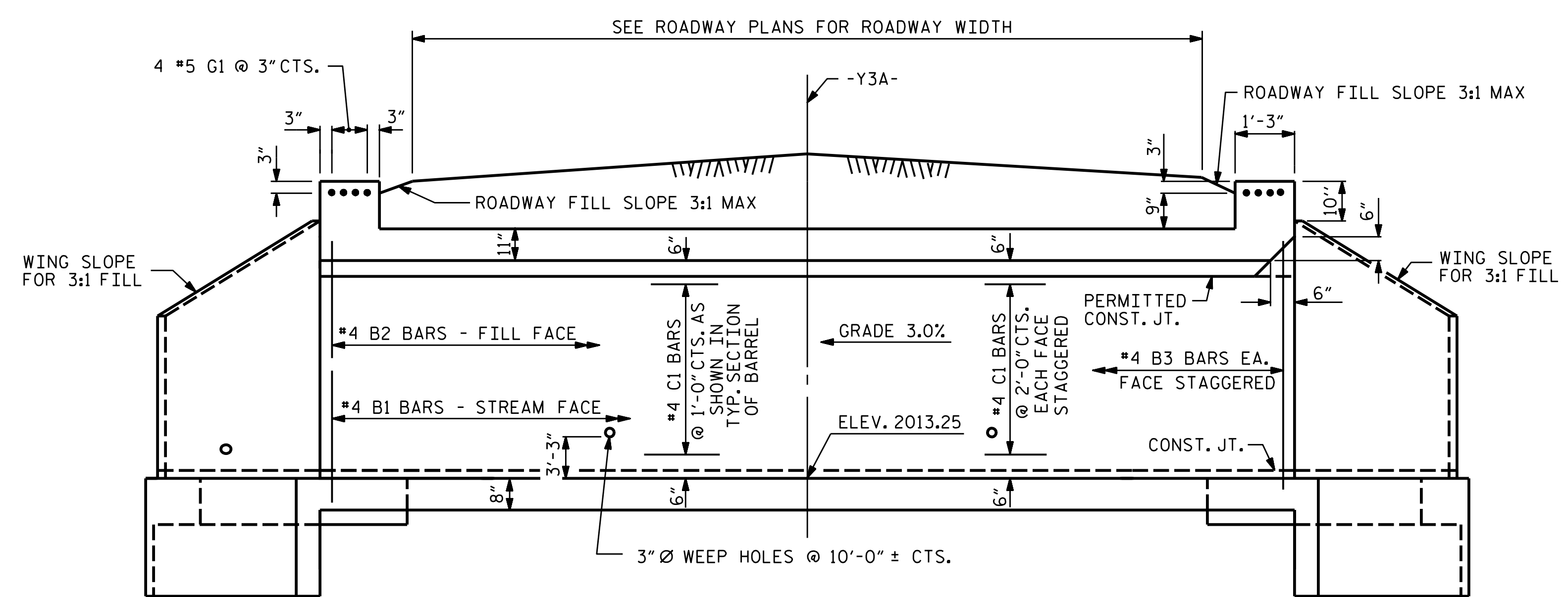


RIGHT ANGLE SECTION OF BARREL

THERE ARE 54 "C" BARS IN SECTION OF BARREL.



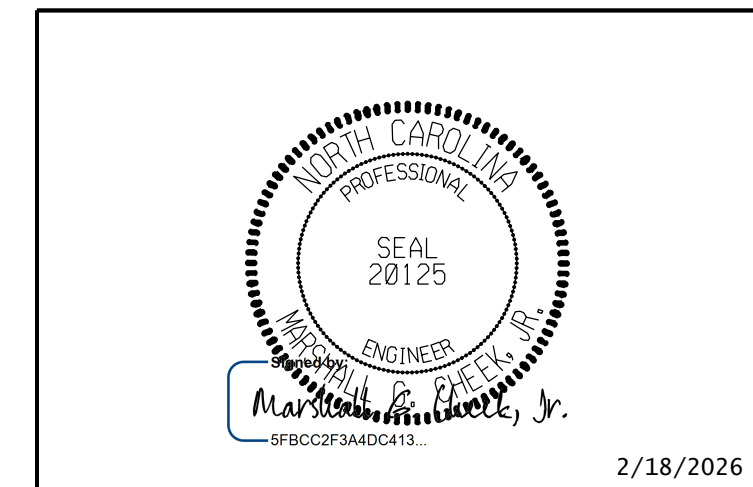
END ELEVATION



CULVERT SECTION NORMAL TO ROADWAY

PROJECT NO. A-0009CD
GRAHAM COUNTY
 STATION: 10+67.00 -Y3A-

SHEET 3 OF 7



STATE OF NORTH CAROLINA
 DEPARTMENT OF TRANSPORTATION
 RALEIGH
 DOUBLE 6 FT. X 6 FT.
 CONCRETE BOX CULVERT
 90°-00'-00" SKEW

DOCUMENT NOT CONSIDERED FINAL
 UNLESS ALL SIGNATURES COMPLETED

TGS ENGINEERS
 201 W. MARION ST STE 200
 SHELBY, NC 28150
 PH (704) 476-0003
 CORP. LICENSE NO.: C-0275

REVISIONS						SHEET NO.
NO.	BY:	DATE:	NO.	BY:	DATE:	C2-3
1			3			TOTAL SHEETS
2			4			7

DRAWN BY : STM DATE : 01/22
 CHECKED BY : MGC DATE : 01/22
 DESIGN ENGINEER OF RECORD : STM DATE : 01/22