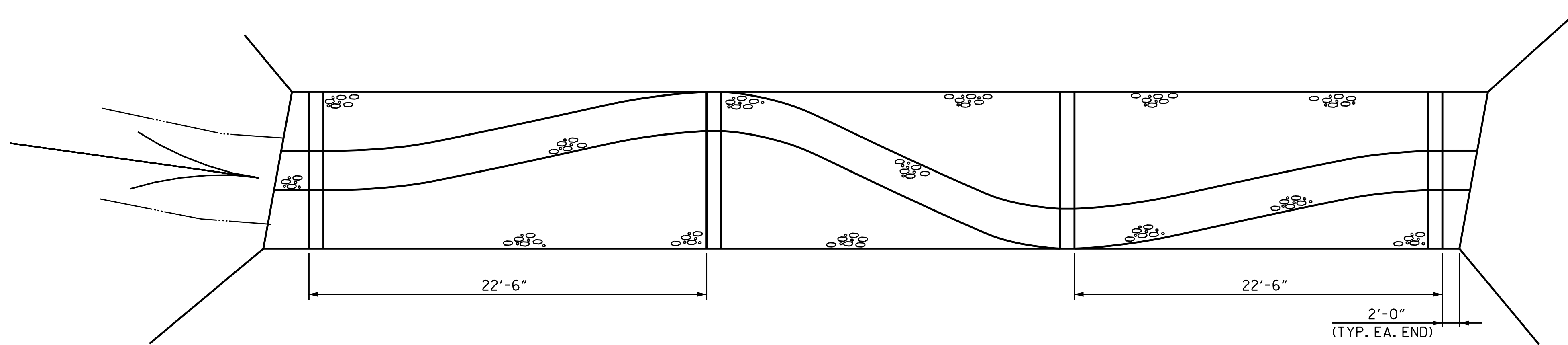


**NOTES**

MATERIAL EXCAVATED FROM THE EXISTING BED SHALL BE STOCKPILED FOR USE IN THE PROPOSED CULVERT. BED MATERIAL MAY BE SUPPLEMENTED WITH CLASS B RIP RAP AS NECESSARY. NATIVE MATERIAL SHOULD BE PLACED ON TOP TO PROVIDE A FLAT SURFACE FOR ANIMAL PASSAGE. BED MATERIAL IS SUBJECT TO THE APPROVAL BY THE ENGINEER AND MAY BE SUBJECT TO PERMIT CONDITIONS.

THE ENTIRE COST OF WORK REQUIRED TO PLACE EXCAVATED MATERIAL OR SUPPLEMENTAL MATERIAL AS SHOWN ON THE PLANS SHALL BE INCLUDED IN THE CONTRACT LUMP SUM PRICE BID FOR CULVERT EXCAVATION.

THE ENTIRE COST OF WORK REQUIRED TO CONSTRUCT THE SILLS SHALL BE INCLUDED IN THE VARIOUS PAY ITEMS.



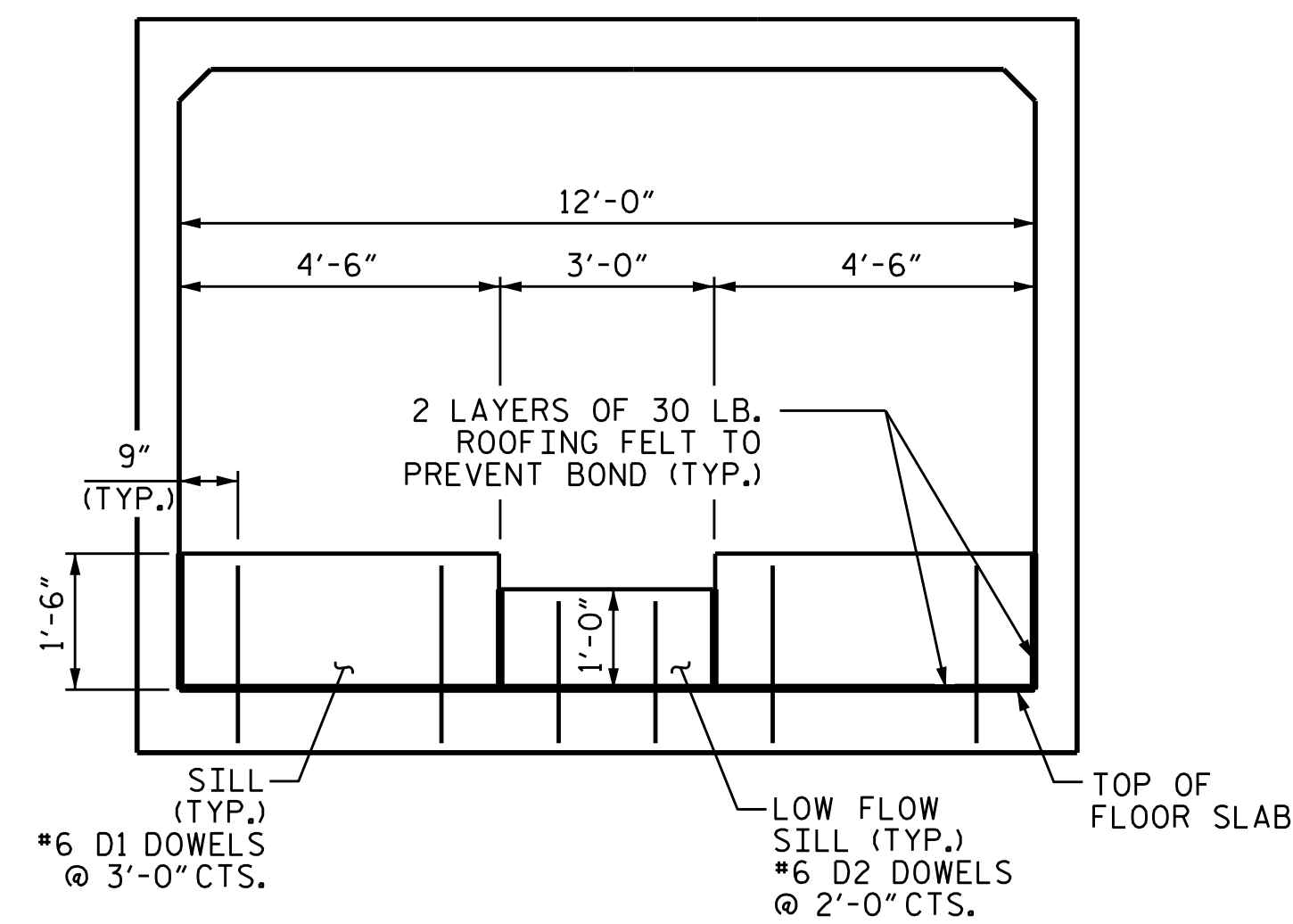
**PLAN OF FLOOR SILL LAYOUT**

BAR TYPE		BAR SCHEDULE				
BAR	NO.	SIZE	TYPE	LENGTH	WEIGHT	
A1	302	#4	5	8'-6"	1715	
A2	302	#4	5	7'-11"	1597	
A100	176	#5	STR	12'-11"	2371	
A101	2	#5	STR	11'-3"	23	
A102	2	#5	STR	8'-11"	19	
A103	2	#5	STR	6'-8"	14	
A104	2	#5	STR	4'-4"	9	
A200	110	#6	STR	12'-11"	2134	
A201	2	#6	STR	10'-6"	32	
A202	2	#6	STR	6'-11"	21	
A203	2	#6	STR	3'-3"	10	
B1	102	#4	STR	6'-8"	454	
C1	80	#4	STR	38'-10"	2075	
D1	14	#6	STR	2'-1"	44	
D2	8	#6	STR	1'-7"	19	
G1	4	#4	STR	13'-2"	35	
S2	12	#8	STR	13'-2"	422	
REINFORCING STEEL					10,994 LBS	

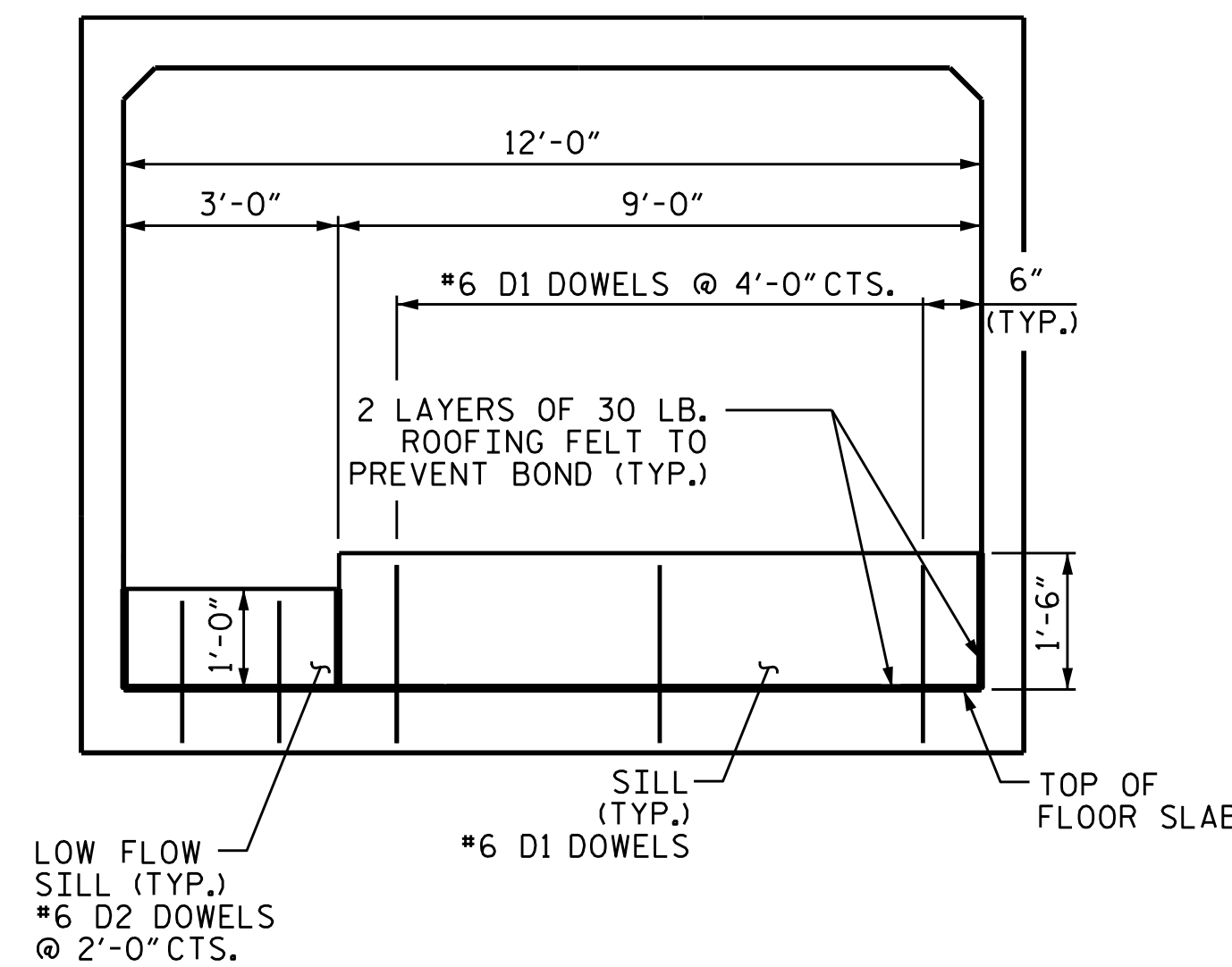
DIMENSIONS ARE OUT TO OUT

**SPLICE LENGTHS CHART**

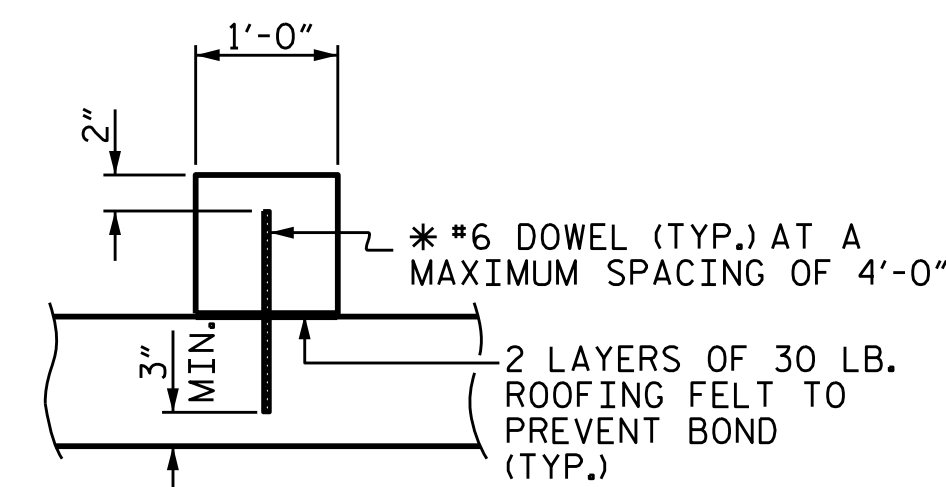
BAR	SIZE	SPLICE LENGTH
"B"	#4	1'-10"
C1	#4	1'-10"



**INLET/OUTLET SILL ELEVATION**



**INTERNAL SILL ELEVATION**

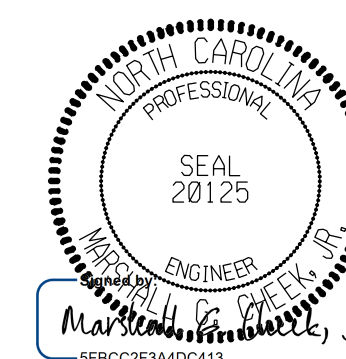


**SECTION THROUGH SILL**

\* DOWELS MAY BE PUSHED INTO GREEN CONCRETE AFTER SLAB HAS BEEN FLOAT FINISHED.

PROJECT NO. A-0009CD  
GRAHAM COUNTY  
 STATION: 99+82.00 -Y2-

SHEET 5 OF 6



2/18/2026

STATE OF NORTH CAROLINA  
 DEPARTMENT OF TRANSPORTATION  
 RALEIGH

**SINGLE 12 FT. X 5 FT. CONCRETE BOX CULVERT**

DRAWN BY : ZCS DATE : 09/21  
 CHECKED BY : MGC DATE : 10/21  
 DESIGN ENGINEER OF RECORD: ZCS DATE : 10/21

1/6/2026 X:\NCDOT\A-0009\Structures\A-0009CD\STR.#1 99+82.00 -Y2-\Final Plans\06Ns\411.009.A-0009CD.SMU.CU05.dgn User:ZSmith

DOCUMENT NOT CONSIDERED FINAL UNLESS ALL SIGNATURES COMPLETED

TGS ENGINEERS  
 201 W. MARION ST STE 200  
 SHELBY, NC 28150  
 PH (704) 476-0003  
 CORP. LICENSE NO.: C-0275

REVISIONS						SHEET NO.
NO.	BY:	DATE:	NO.	BY:	DATE:	C1-5
1			3			TOTAL SHEETS
2			4			6

STR.#1