
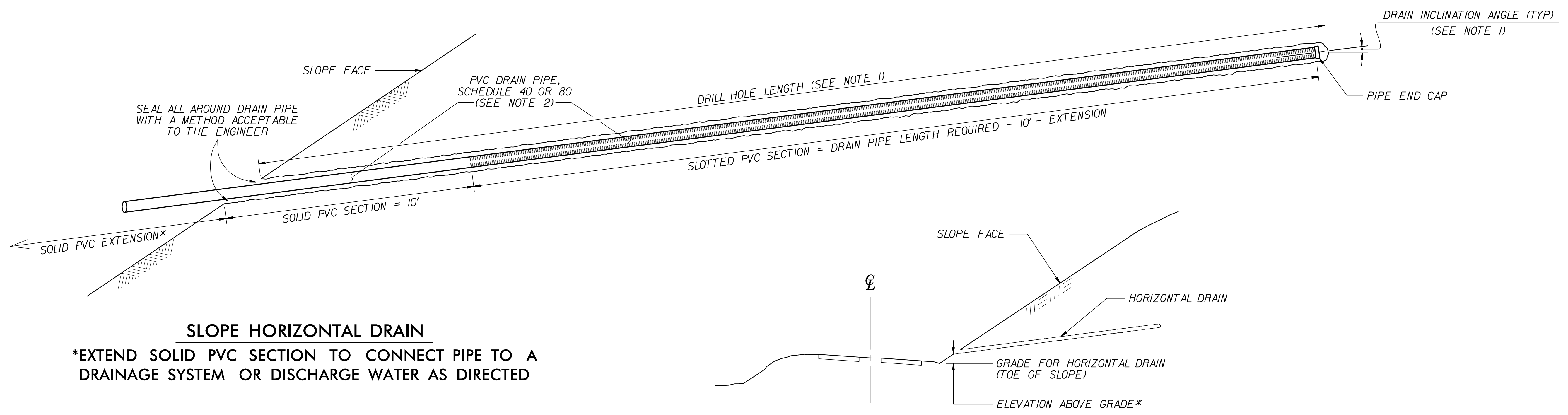
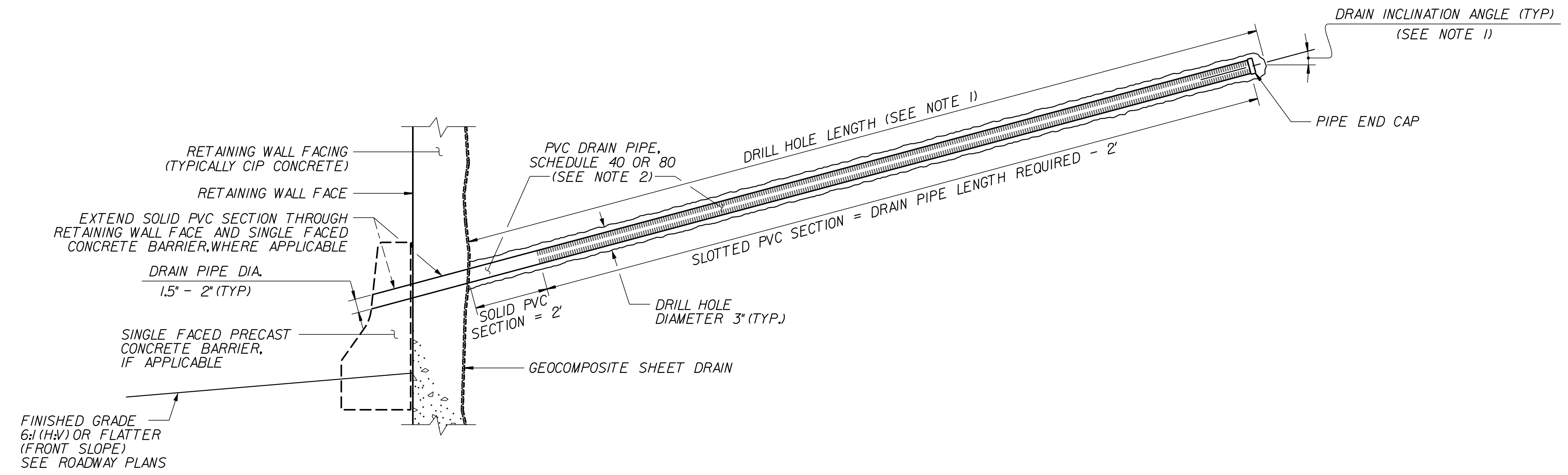


PROJECT REFERENCE NO. A-0009CD		SHEET NO. 2G-4	
GEOTECHNICAL ENGINEER  D. Matthew Brewer 1/15/2023 SIGNATURE DATE		ENGINEER SIGNATURE DATE	
DOCUMENT NOT CONSIDERED FINAL UNLESS ALL SIGNATURES COMPLETED			



EXAMPLE CROSS-SECTION WITH SLOPE HORIZONTAL DRAIN
 *SEE NOTE 1 FOR DRAIN ELEVATIONS ABOVE (OR BELOW) GRADE

- NOTES:**
- SEE ROADWAY SUMMARY SHEETS FOR APPROXIMATE KNOWN HORIZONTAL DRAIN LOCATIONS, ELEVATIONS, INCLINATION AND LENGTHS. ADDITIONAL DRAINS MAY BE REQUIRED AS DETERMINED BY THE ENGINEER.
 - DRAIN PIPES MAY BE OMITTED FOR SOME HORIZONTAL DRAINS. SEE ROADWAY SUMMARY SHEETS FOR DRAIN PIPE REQUIREMENTS INCLUDING THOSE DRAINS WITHOUT PIPES.
 - FOR HORIZONTAL DRAINS, SEE HORIZONTAL DRAINS SPECIAL PROVISION.

PREPARED BY: D. MATTHEW BREWER, P.E.	DATE: 1/15/23
REVIEWED BY: ROBERT E. KRAL, P.E.	DATE: 1/15/23

Prepared in the Office of:



CAROLINIAN GEOTECHNICAL GROUP
 2400 CROWNPOINT EXECUTIVE DRIVE
 SUITE 800
 CHARLOTTE, NC 28227
 (980) 339-8684



NORTH CAROLINA DEPARTMENT OF TRANSPORTATION DIVISION OF HIGHWAYS

GEOTECHNICAL ENGINEERING UNIT

GEOTECHNICAL CONSTRUCTION DETAILS - HORIZONTAL DRAINS

REVISIONS					
NO.	BY	DATE	NO.	BY	DATE
1			3		
2			4		