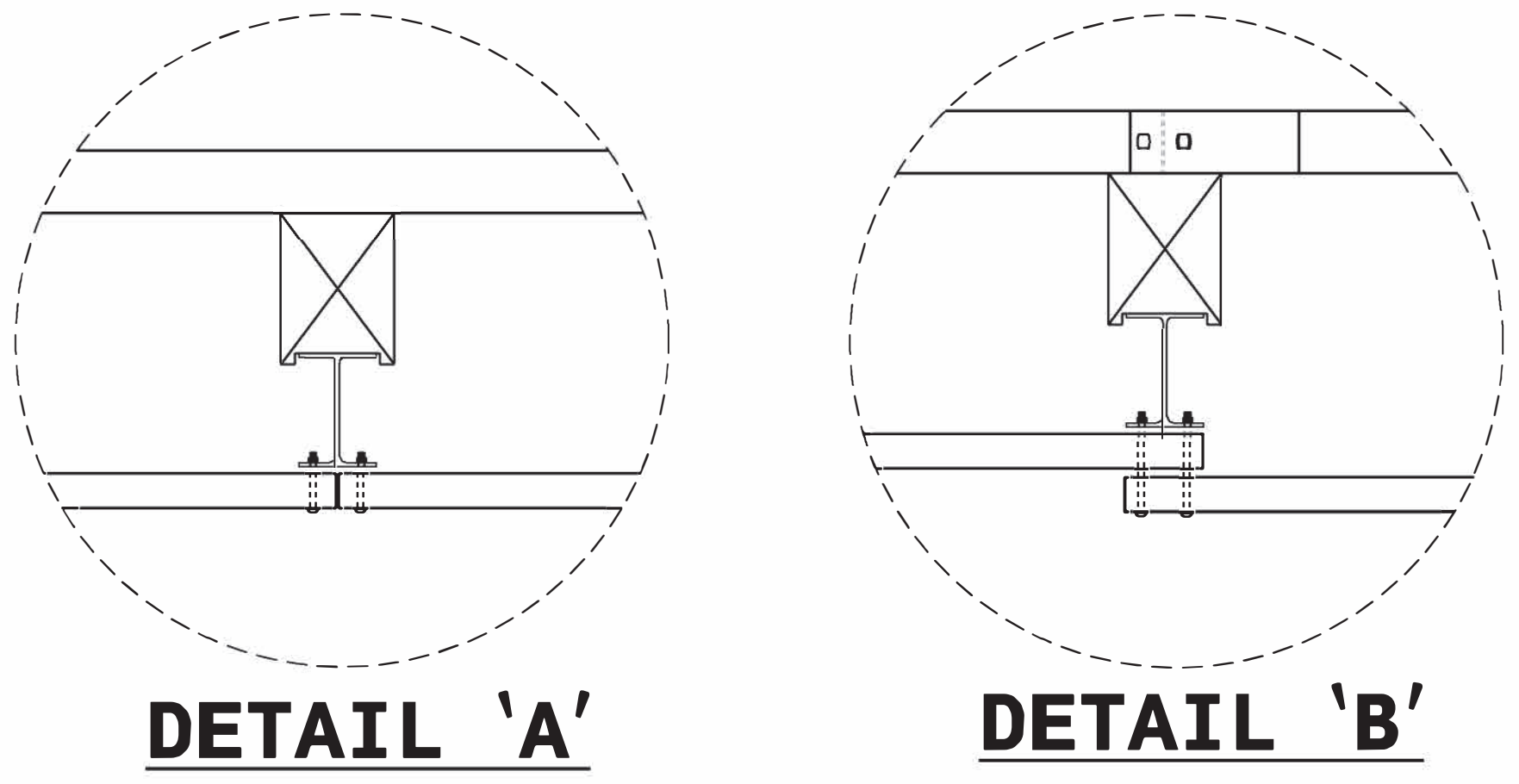
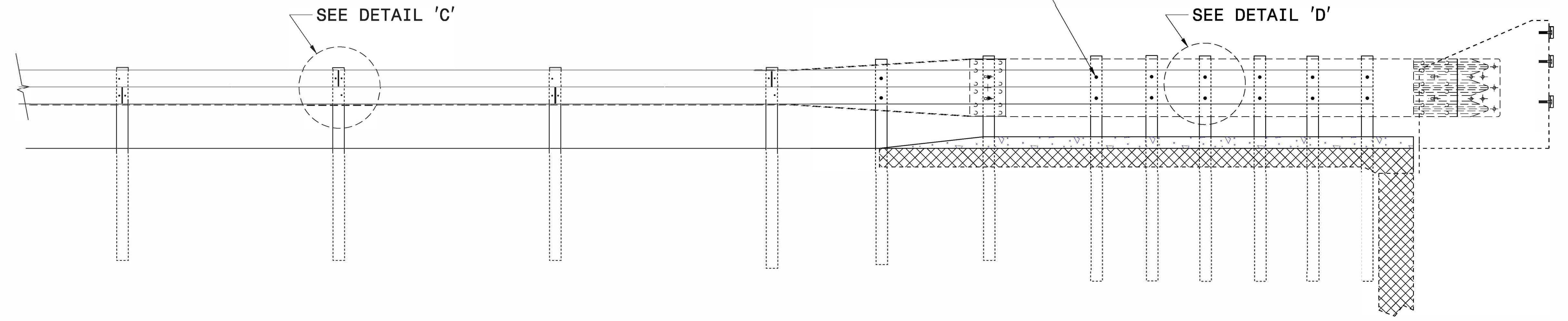


PLAN



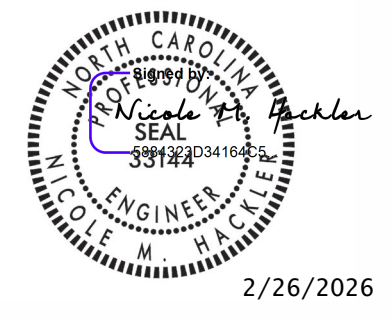
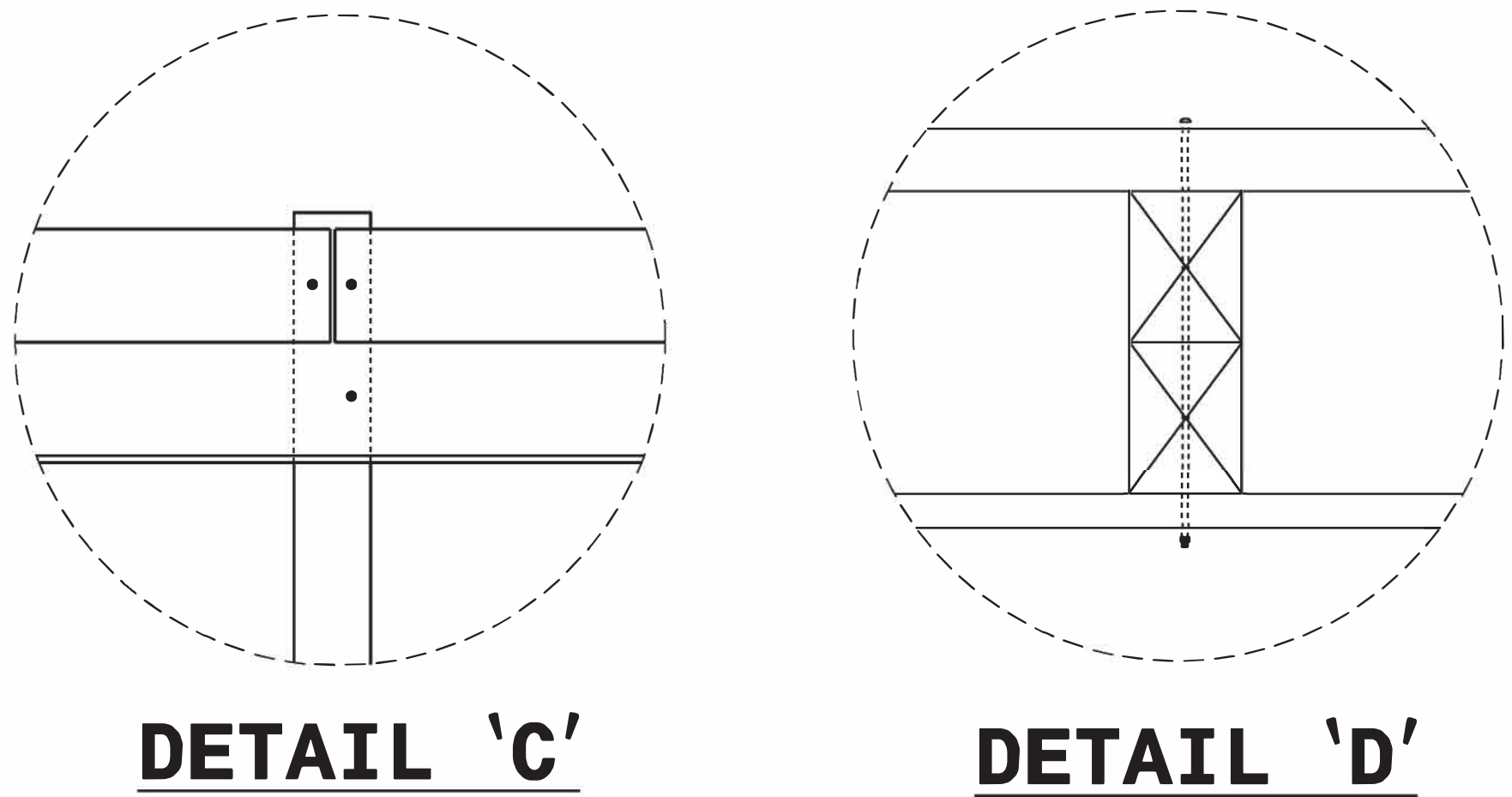
USE BOLTS AND NUTS FROM TYPE III ANCHOR UNIT TO FASTEN 2 X 6 WOOD RAILS TO THE WOOD POSTS - BOLTS MAY NEED TO BE LENGTHENED TO ACCOMMODATE FOR THE 2 X 6 WOOD RAILS.



ELEVATION

NOTES:

1. USE #2 SYP TREATED 2 X 6 FOR WOOD RAIL.
2. USE GUARDRAIL BOLTS TO FASTEN WOOD RAIL TO GUARDRAIL POSTS. SEE ROADWAY STD.NO.862.02.
3. THE MOUNTING HEIGHT OF THE WOOD RAIL TO BE DETERMINED IN THE FIELD.
4. PLACE THE TREATED 2 X 6 WOOD RAIL AS DIRECTED BY THE ENGINEER.
5. DO NOT PLACE WOOD RAIL WITHIN THE PAY LIMITS OF THE GREU TL-3 END UNIT.



CONTRACT STANDARDS AND DEVELOPMENT UNIT
 PLANS AND STANDARDS SECTION
 Office 919-707-6950 FAX 919-250-4119

DETAIL OF WOOD RUB RAIL

ORIGINAL BY: STD. 8.26 DATE: 1-25-12
 MODIFIED BY: DATE: _____
 CHECKED BY: DATE: _____
 FILE SPEC.: jhowerton/Wood Rail on Back of Guardrail

PLANS AND STANDARDS SECTION
 CONTRACT STANDARDS AND DEVELOPMENT UNIT
 2/26/2026