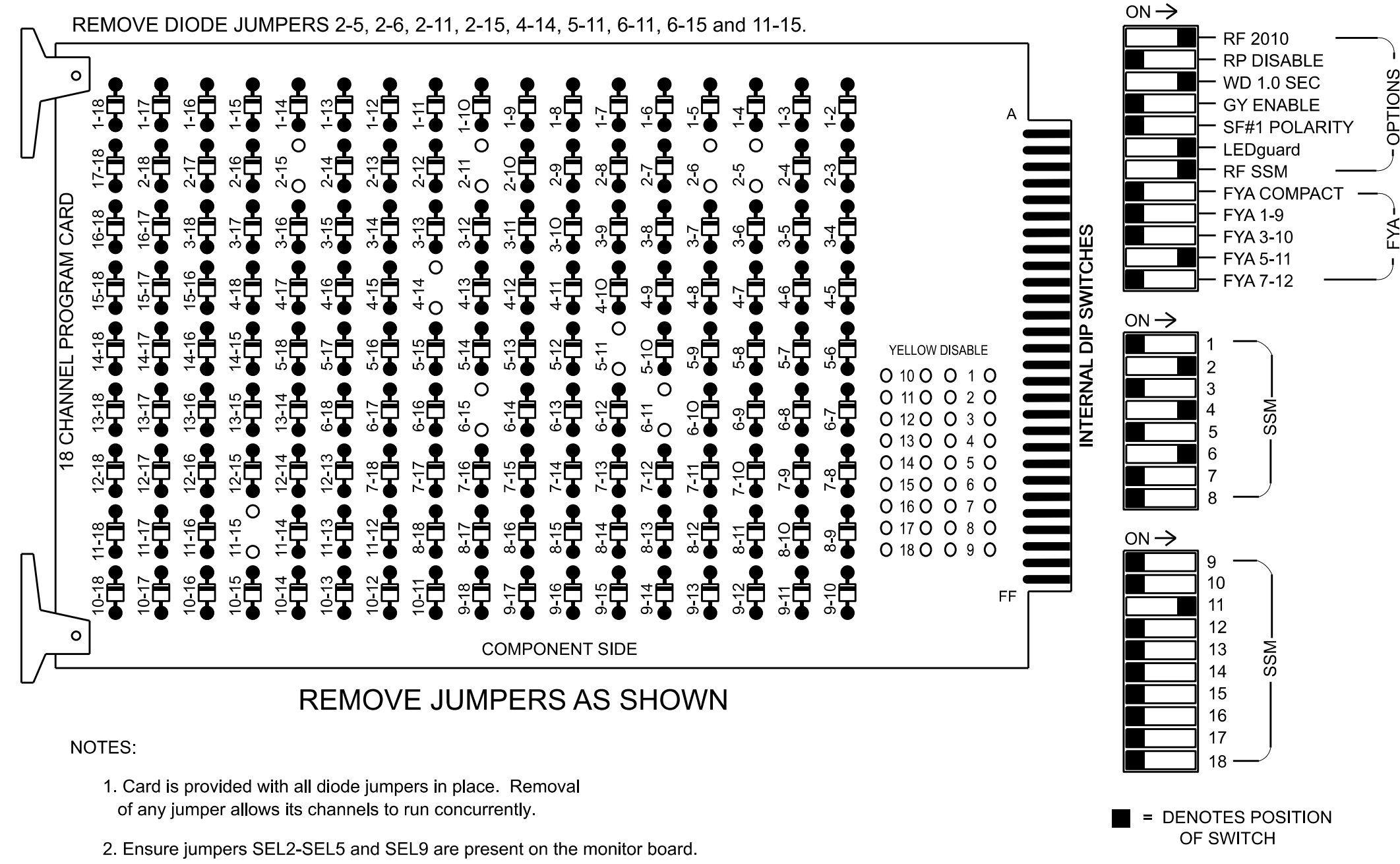


18 CHANNEL CONFLICT MONITOR PROGRAMMING DETAIL

(remove jumpers and set switches as shown)



NOTES

- To prevent "flash-conflict" problems, insert red flash program blocks for all unused vehicle load switches in the output file. The installer shall verify that signal heads flash in accordance with the Signal Plans.
- Enable Simultaneous Gap-Out for all Phases.
- Program phases 2 and 6 for Variable Initial and Gap Reduction.
- Disable all phases for Startup In Green.
- Program phases 2 and 6 as First Phases.
- Disable all phases for Yellow Flash.
- The cabinet and controller are part of the Winston-Salem Signal System.

EQUIPMENT INFORMATION

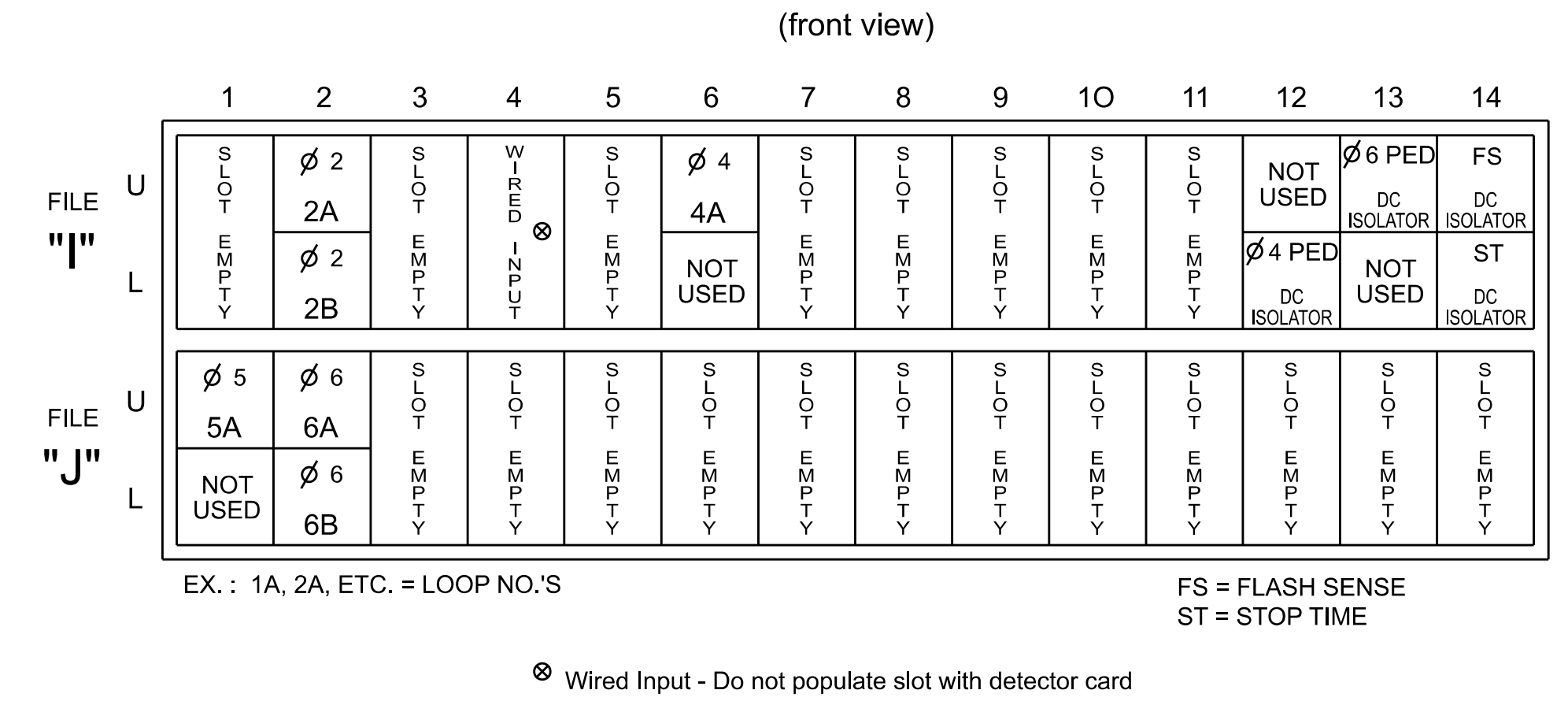
CONTROLLER.....2070
 CABINET.....332 W/ AUX
 SOFTWARE.....ECONOLITE OASIS
 CABINET MOUNT.....BASE
 OUTPUT FILE POSITIONS...18 WITH AUX. OUTPUT FILE
 LOAD SWITCHES USED.....S2,S5,S6,S7,S8,S9,AUX S4
 PHASES USED.....2,4,4 PED,5,6,6 PED
 OVERLAP "A".....NOT USED
 OVERLAP "B".....NOT USED
 OVERLAP "C".....5+6
 OVERLAP "D".....NOT USED

SIGNAL HEAD HOOK-UP CHART

LOAD SWITCH NO.	S1	S2	S3	S4	S5	S6	S7	S8	S9	S10	S11	S12	AUX S1	AUX S2	AUX S3	AUX S4	AUX S5	AUX S6
CMU CHANNEL NO.	1	2	13	3	4	14	5	6	15	7	8	16	9	10	17	11	12	18
PHASE	1	2	2 PED	3	4	4 PED	5	6	6 PED	7	8	8 PED	OLA	OLB	SPARE	OLC	OLD	SPARE
SIGNAL HEAD NO.	NU	21,22	NU	NU	41,42	P41, P42	51	61,62	P61, P62	NU	NU	NU	NU	NU	NU	51	NU	NU
RED		128						134										
YELLOW		129					*	135										
GREEN		130						136										
RED ARROW					101											A114		
YELLOW ARROW					102											A115		
FLASHING YELLOW ARROW																A116		
GREEN ARROW					103		133											
Hand						104			119									
Person						106			121									

NU = Not Used
 * Denotes install load resistor. See load resistor installation detail this sheet.
 ★ See pictorial of head wiring in detail this sheet.

INPUT FILE POSITION LAYOUT

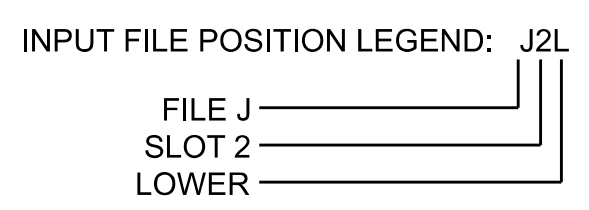


INPUT FILE CONNECTION & PROGRAMMING CHART

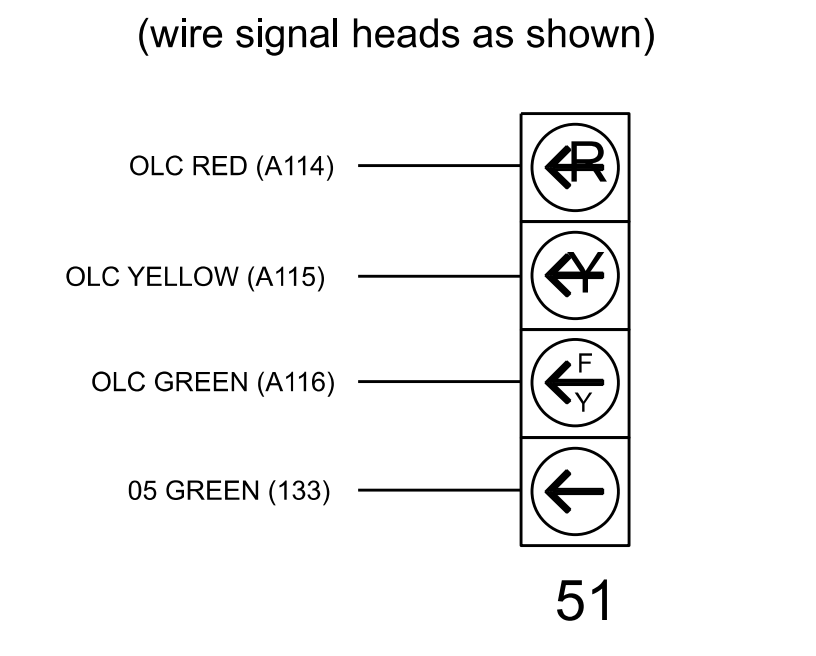
LOOP NO.	LOOP TERMINAL	INPUT FILE POS.	PIN NO.	INPUT ASSIGNMENT NO.	DETECTOR NO.	NEMA PHASE	CALL	EXTEND	FULL TIME DELAY	STRETCH TIME	DELAY TIME
2A	TB2-5,6	I2U	39	1	2	2	Y	Y			
2B	TB2-7,8	I2L	43	5	12	2	Y	Y			
4A	TB4-9,10	I6U	41	3	4	4	Y	Y			
5A ¹	TB3-1,2	J1U	55	17	5	5	Y	Y			15
	-	I4U	47	9★	22	2	Y	Y	Y		3
-	-	J1U	55	17★	55	5	Y	Y			
6A	TB3-5,6	J2U	40	2	6	6	Y	Y			
6B	TB3-7,8	J2L	44	6	16	6	Y	Y			
PED PUSH BUTTONS											
P41,P42	TB8-5,6	I12L	69	31		PED 4					
P61,P62	TB8-7,9	I13U	68	30		PED 6					

NOTE:
 INSTALL DC ISOLATORS IN INPUT FILE SLOTS I12 AND I13.

¹ Add jumper from J1-W to I4-W, on rear of input file.
 ★ See Input Page Assignment programming details on sheet 3.

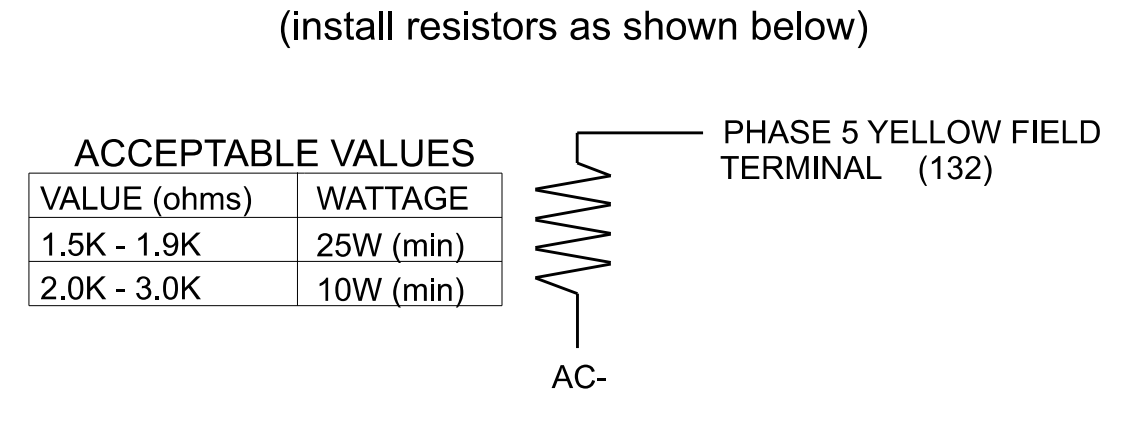


FYA SIGNAL WIRING DETAIL



NOTE
 The sequence display for signal head 51 requires special logic programming. See sheet 2 for programming instructions.

LOAD RESISTOR INSTALLATION DETAIL



Electrical Detail - Sheet 1 of 4

Electrical and Programming Details For:

Prepared in the Offices of:

750 N. Greenfield Pkwy, Garner, NC 27529

SR 4000 (University Parkway) at US 52 SB Ramps

Division 9 Forsyth County Winston-Salem

PLAN DATE: February 2026 REVIEWED BY:

PREPARED BY: James Peterson REVIEWED BY:

REVISIONS INIT. DATE

Seal: KEITH M. MINS, ENGINEER, 036880

DocuSigned by: Keith M. Mins 02/13/2026

SIG. INVENTORY NO. 09-0651

DOCUMENT NOT CONSIDERED FINAL UNLESS ALL SIGNATURES COMPLETED