

GEOTECHNICAL ENGINEERING UNIT

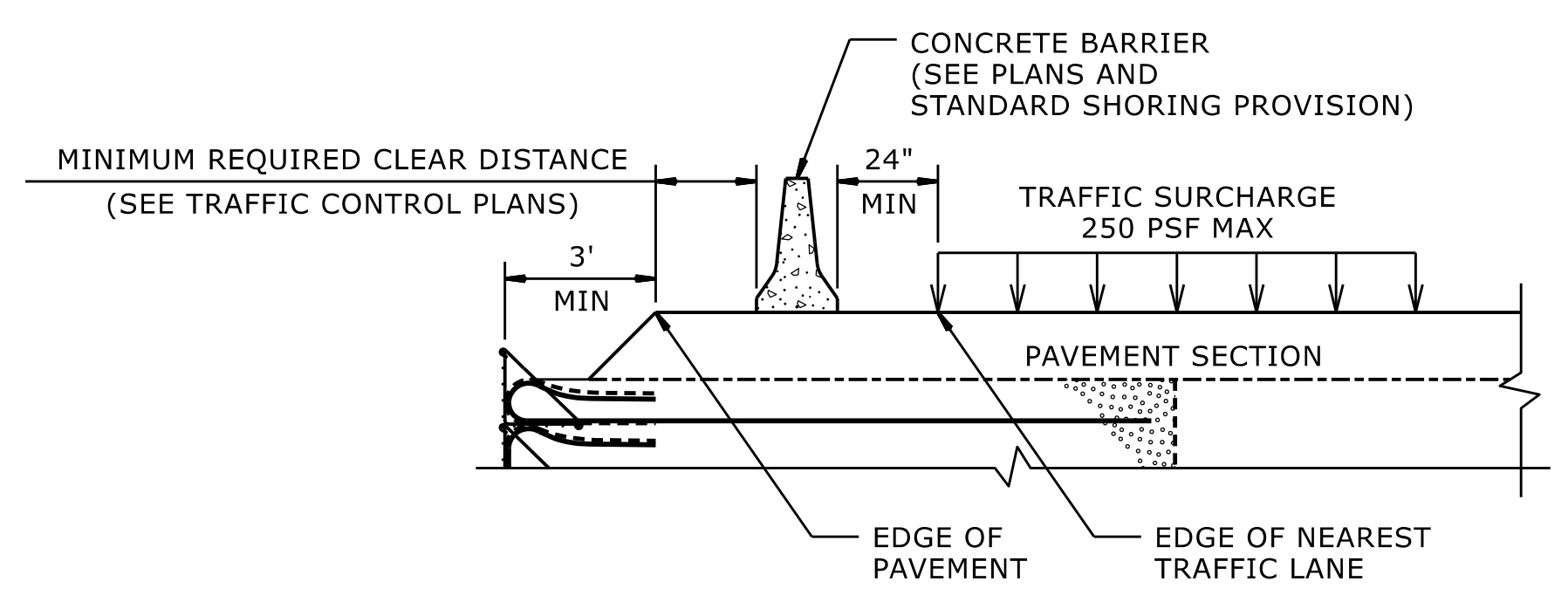
GEOTECHNICAL ENGINEER

DocuSigned by: Scott A. HIDDEN 02/2026

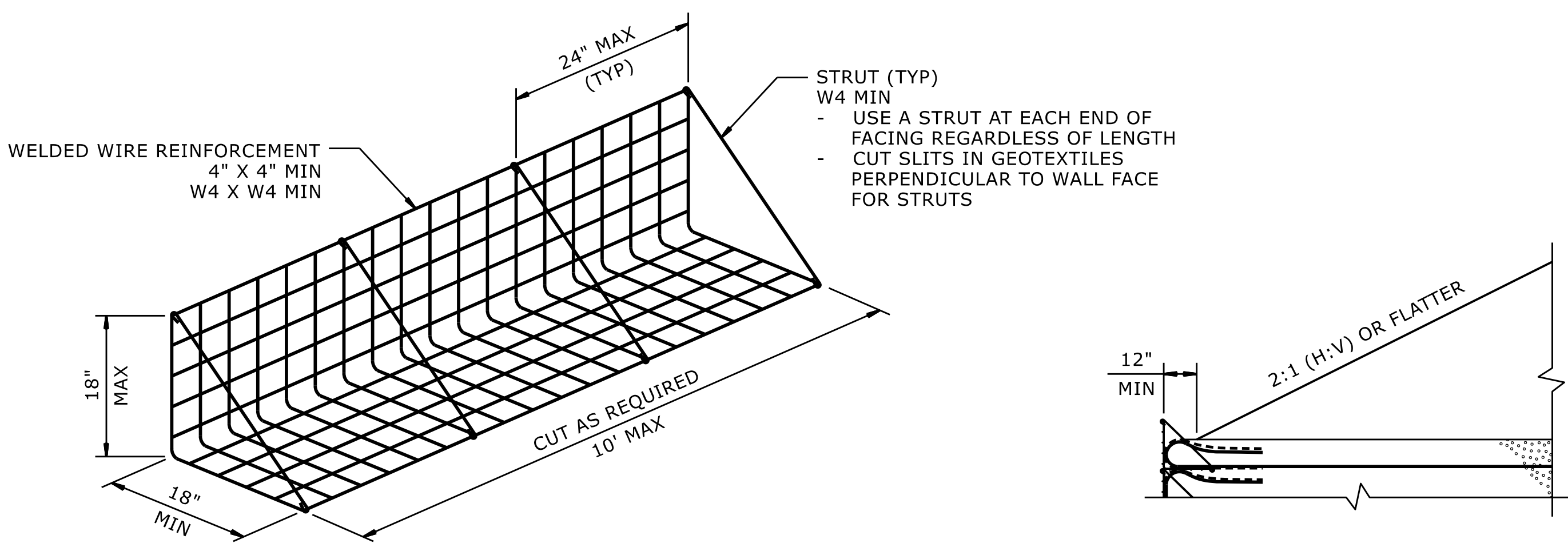


DOCUMENT NOT CONSIDERED FINAL UNLESS ALL SIGNATURES COMPLETED

STANDARD DETAIL NO. 1801.02

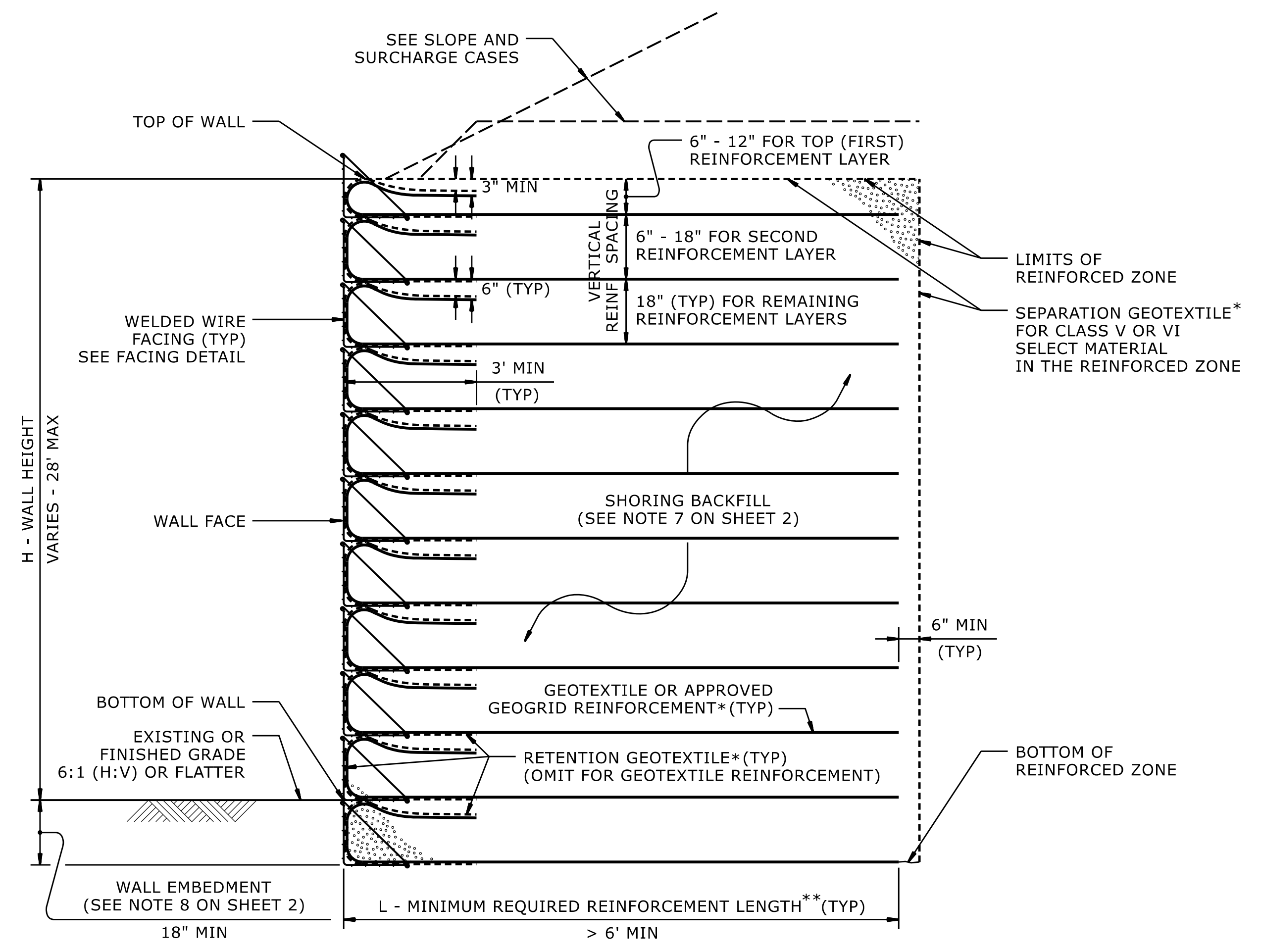


SURCHARGE CASE



FACING DETAIL

SLOPE CASE

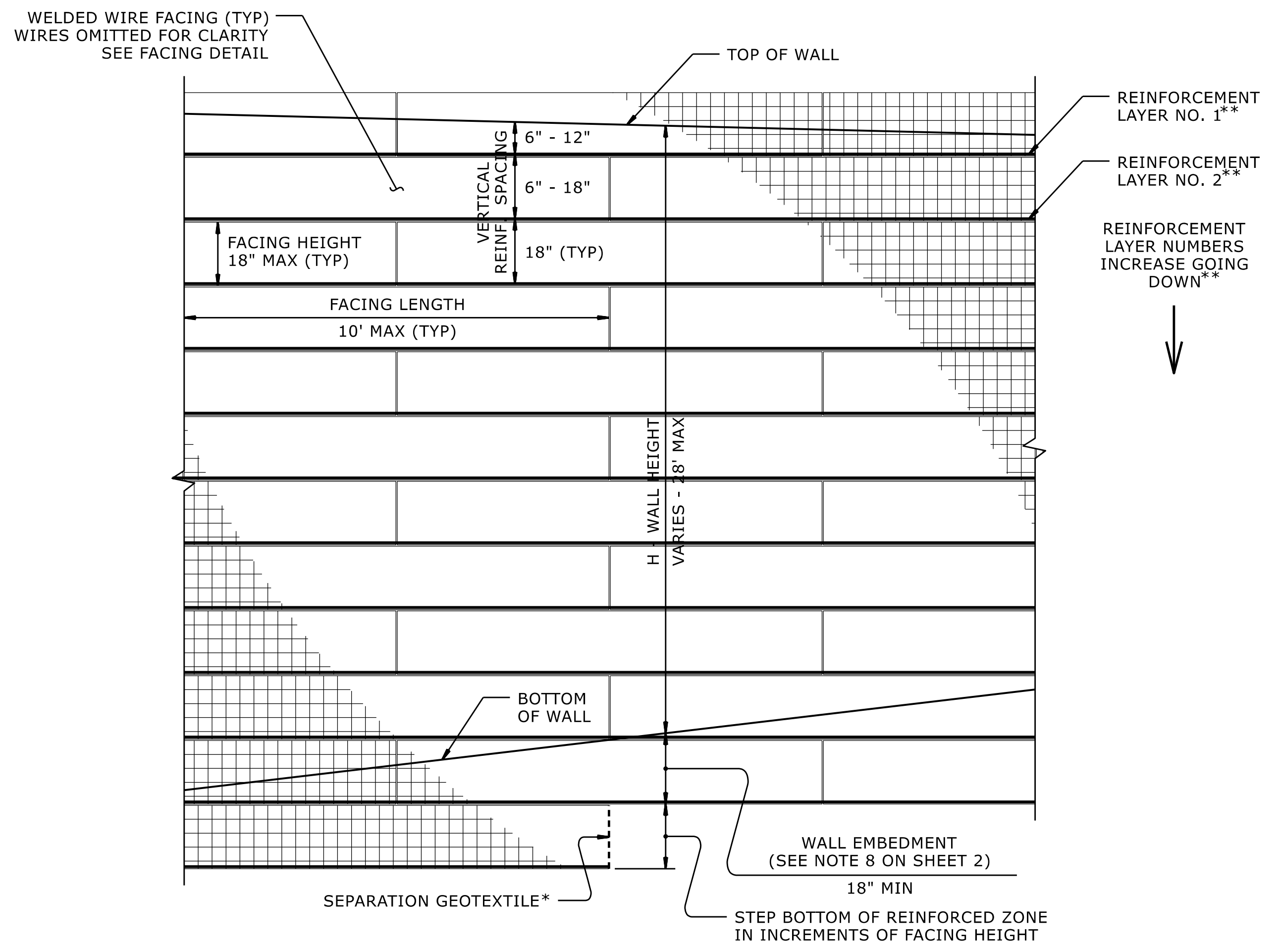


STANDARD TEMPORARY WALL

(FOR STANDARD TEMPORARY WALLS ON STRUCTURES, SEE TEMPORARY WALL ON STRUCTURE DETAIL ON SHEET 2.)

\*SEE GEOSYNTHETIC PLACEMENT DETAILS ON SHEET 2.

\*\*SEE REINFORCEMENT TABLES ON SHEET 3.



STANDARD TEMPORARY WALL - PARTIAL ELEVATION

\*SEE GEOSYNTHETIC PLACEMENT DETAILS ON SHEET 2.

\*\*SEE REINFORCEMENT TABLES ON SHEET 3.

GEOTECHNICAL STANDARD DETAIL FOR TEMPORARY WALL (SHEET 1 OF 3)