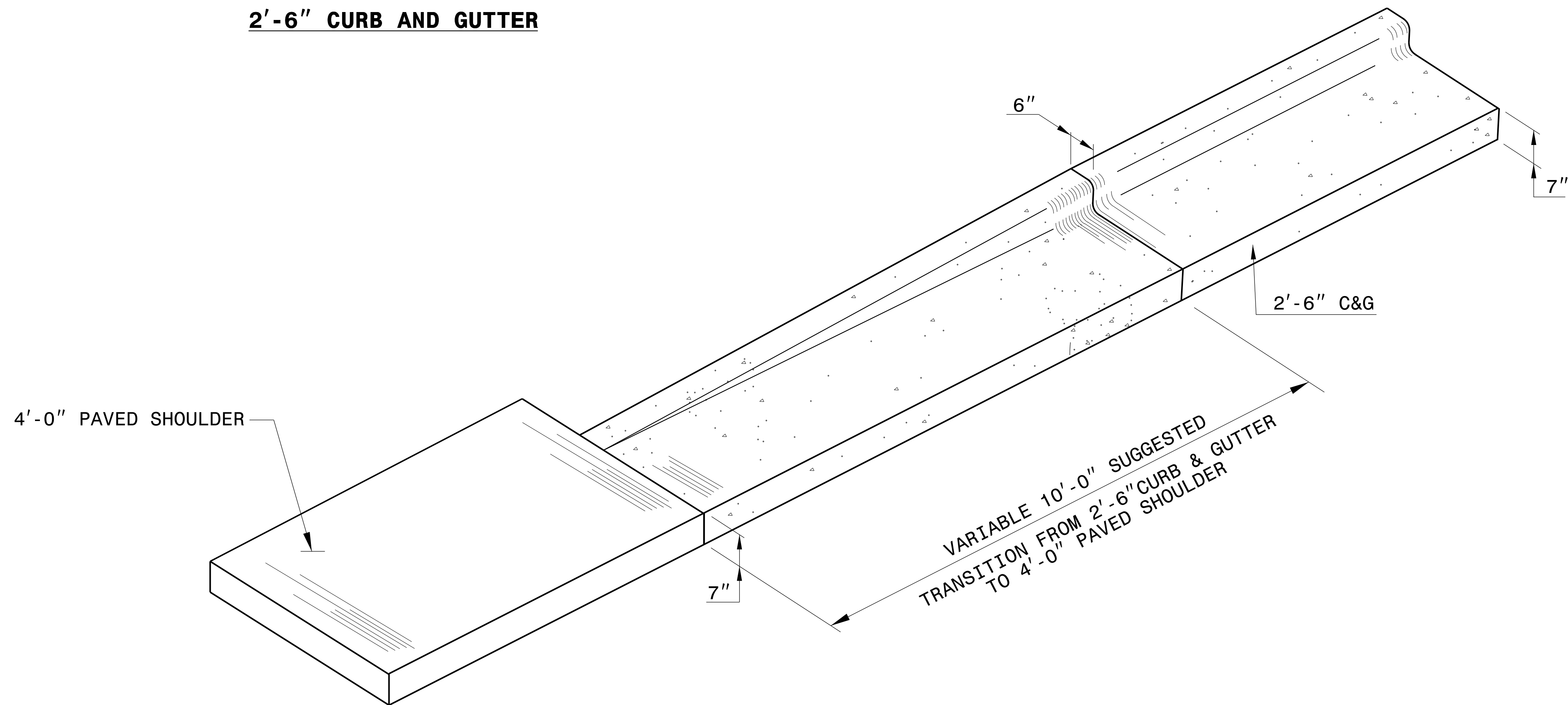
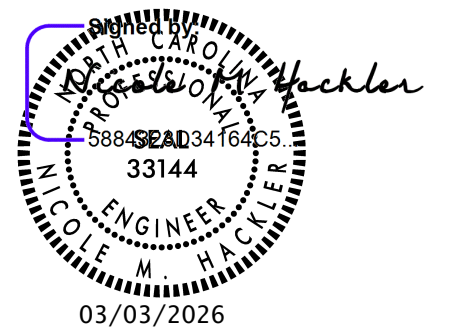


**2'-6" CURB AND GUTTER**

**\*NOTE: SEE STD. DWG. 846.01 FOR GENERAL NOTES**



**ISOMETRIC VIEW OF TRANSITION**



DOCUMENT NOT CONSIDERED FINAL  
UNLESS ALL SIGNATURES COMPLETED

<b>CONTRACT STANDARDS AND DEVELOPMENT UNIT</b>	
Office 919-707-6950	FAX 919-250-4119
<b>DETAIL OF 10' TRANSITION FROM 2'-6" CURB &amp; GUTTER TO 4'-0" PAVED SHOULDER</b>	
ORIGINAL BY: _____	DATE: _____
MODIFIED BY: <u>rnbritt</u>	DATE: <u>04-13-2016</u>
CHECKED BY: _____	DATE: _____
FILE SPEC: <u>details/nbritt/english/misc/c&amp;g_transition_sections.dgn</u>	

5/14/99  
 I:\MAR-2020\1425  
 S:\Contracts\Special Details\english\misc\c&g transition sections.dgn  
 J:\overton AT USD-320965