

STATE OF NORTH CAROLINA DEPARTMENT OF TRANSPORTATION

SIGNING PLAN CUMBERLAND COUNTY

LOCATION: GRUBER ROAD OVER ALL AMERICAN FREEWAY

ROADWAY STANDARD DRAWING

THE FOLLOWING ROADWAY STANDARDS AS APPEAR IN "ROADWAY STANDARD DRAWINGS" - PROJECT SERVICES UNIT - N.C. DEPARTMENT OF TRANSPORTATION - RALEIGH, N.C., DATED JANUARY 2024 ARE APPLICABLE TO THIS PROJECT AND BY REFERENCE HEREBY ARE CONSIDERED A PART OF THESE PLANS:

STD. NO.	TITLE
903.10	GROUND MOUNTED SIGN SUPPORTS
904.10	ORIENTATION OF GROUND MOUNTED SIGNS
904.20	SECONDARY SIGN MOUNTING
904.30	SUPPLEMENTAL SIGN MOUNTING
904.50	MOUNTING OF TYPE 'D', 'E' AND 'F' SIGNS ON 'U' CHANNEL POSTS

SUMMARY OF QUANTITIES

ITEM NO.	ITEM DESCRIPTION	QUANTITY	UNIT
DESC. NO.	SECT. NO.		
4072000000	903	SUPPORTS, 3 LB. STEEL U-CHANNEL	248 L.F.
4096000000	904	SIGN ERECTION, TYPE D	4 EA.
4102000000	904	SIGN ERECTION, TYPE E	6 EA.
4116100000	904	SIGN ERECTION, RELOCATE SIGN TYPE E	4 EA.
4155000000	907	DISPOSAL OF SIGN SYSTEM, U-CHANNEL	5 EA.
4192000000	907	DISPOSAL OF SUPPORT, U-CHANNEL	4 EA.

PLAN PREPARED BY: MOTT MACDONALD

DAVID W BISSETTE, PE PRINCIPAL PROJECT MANAGER

SAM COLEMAN, PE PROJECT ENGINEER

NCDOT CONTACT:

CHRISTY HUFF, P.E. DIVISION PROJECT DEVELOPMENT TEAM LEAD

GENERAL NOTES

- . SIGNS FURNISHED BY STATE
- . CONFIRM IN WRITING AT LEAST 4 MONTHS IN ADVANCE, THE ACTUAL DATE THE DEPARTMENT FURNISHED SIGNS WILL BE REQUIRED.
- . ALL TYPE 'D' SIGNS SHALL BE MOUNTED ON TWO U-CHANNEL POSTS UNLESS OTHERWISE INDICATED ON THE PLANS.
- . IF REMOVAL OR RELOCATION OF SIGNS ON PRIVATE STREET (NON-STATE MAINTAINED) IS REQUIRED DUE TO CONSTRUCTION, THE CONTRACTOR SHALL INFORM THE ENGINEER. THE WORK WILL BE COMPLETED BY OTHERS.
- . WHEN NOT STATIONED OR DIMENSIONED ON PLANS, ALL 'E' AND 'F' SIGNS SHALL BE FIELD LOCATED BY THE ENGINEER
- . ALL EXISTING SIGNS ON "U" CHANNEL POST WITHIN THE PROJECT LIMITS SHALL BE REMOVED AND DISPOSED OF UNLESS OTHERWISE NOTED ON PLANS.
- . WHEN EXISTING SIGNS ARE REMOVED AND INSTALLED ON NEW SUPPORTS, THE RE-ERECTION SHALL IMMEDIATELY FOLLOW THE REMOVAL.
- . THE BACKGROUND FOR TYPE E & F SIGNS SHALL BE TYPE C REFLECTIVE SHEETING.
- . DO NOT BEGIN FABRICATION FOR TYPES A & B SIGNS MOUNTED ON OVERHEAD STRUCTURES OR STEEL SUPPORTS UNTIL "S" DIMENSIONS HAVE BEEN FIELD VERIFIED.
- . SEE ROADWAY PLANS FOR GUARD/GUIDE RAIL DETAILS.

GENERAL NOTES

1	DISPOSAL OF SIGN SYSTEM, U-CHANNEL
2	RELOCATE SIGN, TYPE E
3	DISPOSAL OF SUPPORT, U-CHANNEL
4	SIGN ERECTION, TYPE D, E, AND F
5	SIGN ERECTION, RELOCATE SIGN TYPE E

INDEX

SHEET NO.	DESCRIPTION
SIGN-1	TITLE SHEET
SIGN-2	N/A
SIGN-3	E SHEET
SIGN-4	SIGN DESIGNS
SIGN-5	EXISTING SIGNING SHEET
SIGN-6	PROPOSED SIGNING SHEET

49218.26

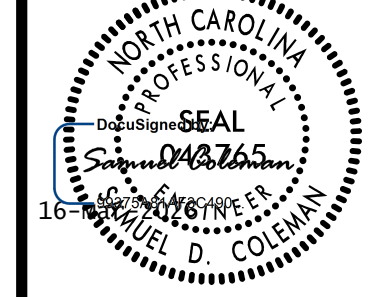
SIGN 001

NORTH CAROLINA
DEPARTMENT OF TRANSPORTATION

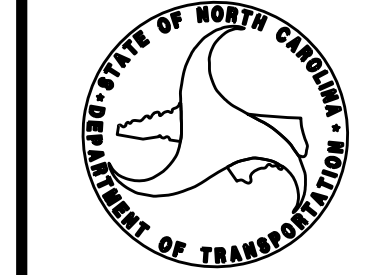
APPROVED: _____

DATE: _____

SEAL: _____



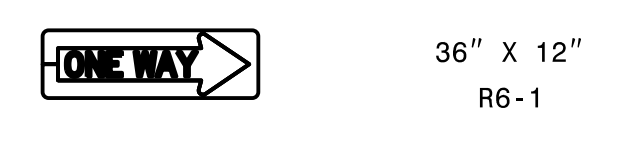
DOCUMENT NOT CONSIDERED FINAL
UNLESS ALL SIGNATURES COMPLETED



PLANS PREPARED FOR THE NCDOT BY:
MOTT MACDONALD
MOTT MACDONALD & E, LLC
100 HAINES STREET, SUITE 101
RALEIGH, NC 27604
NC LICENSE NO. F-4669

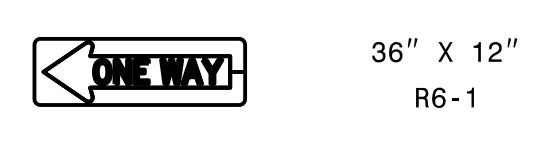
T.I.P.: 49218.26

401 QUANTITY REQ'D .2_



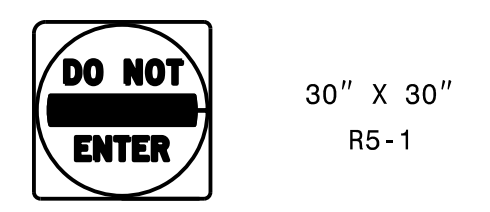
TWO "U" POSTS PER SIGN

402 QUANTITY REQ'D .2_



MOUNTED BACK TO BACK
W SIGN 401 IN 2 INSTALLATIONS

403 QUANTITY REQ'D .4_

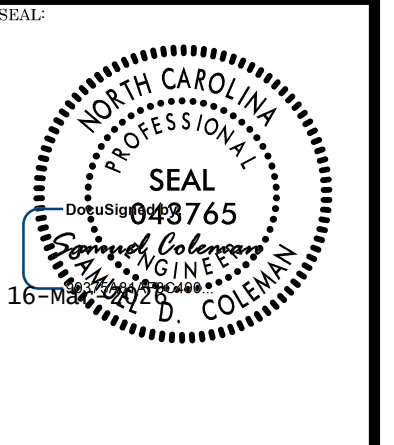


ONE "U" POST PER SIGN

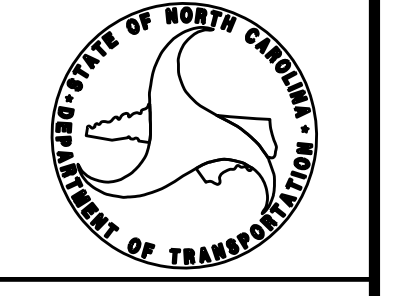
49218.26

SIGN 003
NORTH CAROLINA
DEPARTMENT OF TRANSPORTATION

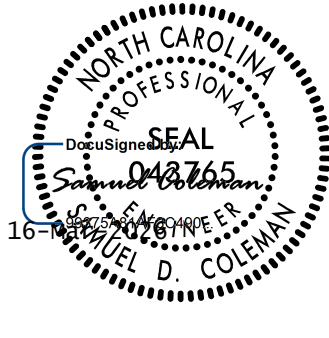
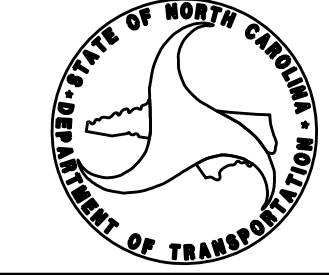
APPROVED: _____
DATE: _____



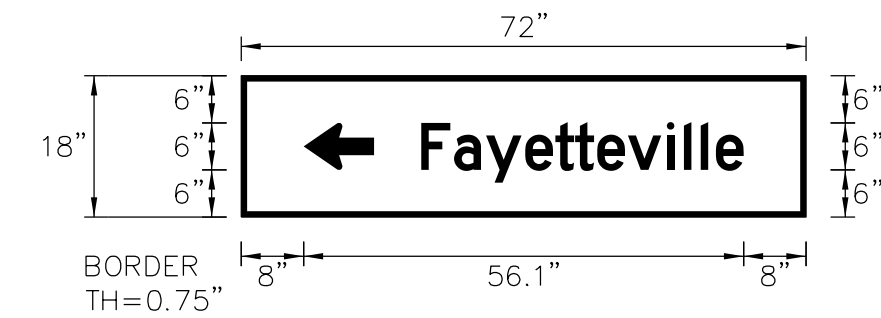
DOCUMENT NOT CONSIDERED FINAL
UNLESS ALL SIGNATURES COMPLETED



PLANS PREPARED FOR THE NC DOT BY:
M MOTT MACDONALD & E. LLC
100 MARINE STREET, SUITE 101
RALEIGH, NC 27604
M MOTT MACDONALD NC LICENSE NO. F-0669

49218.26
SIGN 004
NORTH CAROLINA DEPARTMENT OF TRANSPORTATION
APPROVED: _____
DATE: _____
SEAL: 
DOCUMENT NOT CONSIDERED FINAL UNLESS ALL SIGNATURES COMPLETED


SIGN NUMBER: 301
TYPE: D
QUANTITY: 1
SIGN WIDTH: 72"
HEIGHT: 18"
TOTAL AREA: 9" Sq.Ft.
BORDER TYPE: FLUSH
RECESS: WIDTH: 0.8"
RADIUS:
NO. Z BARS:
LENGTH:
BACKG COLOR: Brown
COPY COLOR: White
SYMBOL X Y WID HT
AR_Type D 8" 6" 6" 9"
DESIGN BY: S COLEMAN
PROJECT ID: 49218.26
CHECKED BY: LOCATION:
Jan 14, 2026
DIV: 6

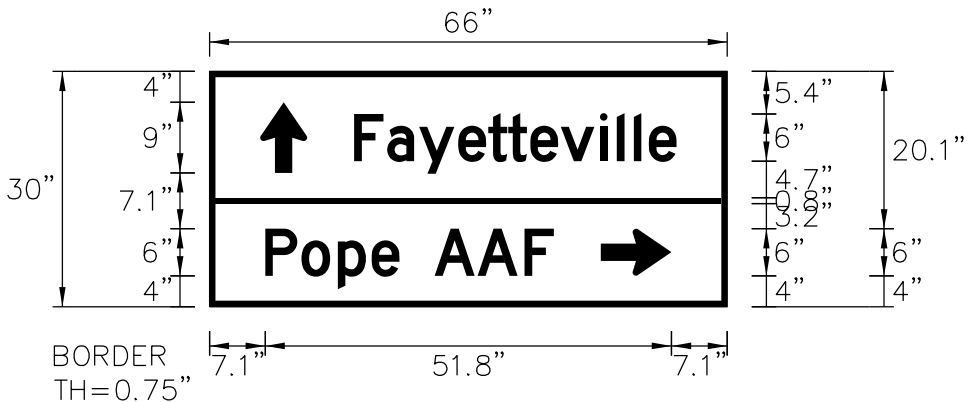


USE NOTES:
1. Legend and border(except those that are colored black) shall be direct applied Grade C sheeting.
2. Background shall be Grade C reflective sheeting.

LETTER POSITIONS
Letter spacings are to start of next letter
Series/Size Text Length
D 2000
41.1"

HL-0027 Sign Designs NORTH CAROLINA D.O.T. SIGN DETAIL

SIGN NUMBER: 302
TYPE: D
QUANTITY: 1
SIGN WIDTH: 66"
HEIGHT: 30"
TOTAL AREA: 13.8" Sq.Ft.
BORDER TYPE: FLUSH
RECESS: WIDTH: 0.8"
RADIUS:
NO. Z BARS:
LENGTH:
BACKG COLOR: Brown / Brown
COPY COLOR: White
SYMBOL X Y WID HT
AR_Type D 6.4" 17.1" 6" 9"
AR_Type D 49.9" 4" 6" 9"
DESIGN BY: S COLEMAN
PROJECT ID: 49218.26
CHECKED BY: LOCATION:
Jan 14, 2026
DIV: 6

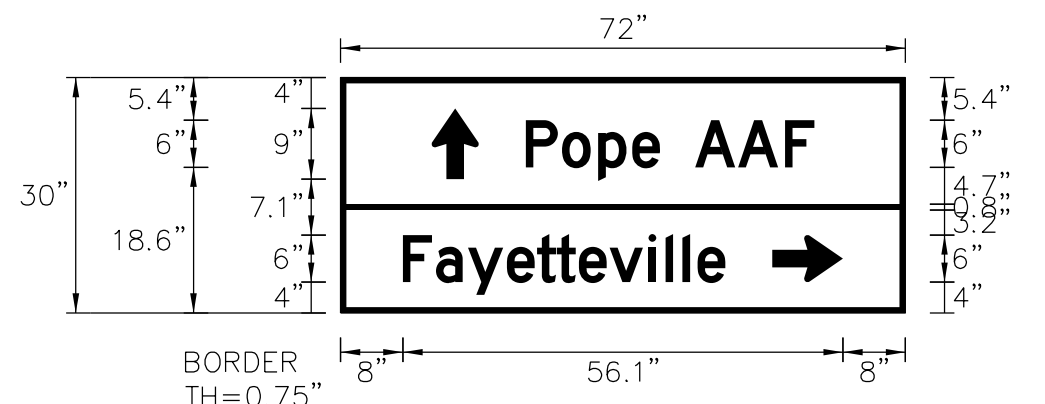


USE NOTES:
1. Legend and border(except those that are colored black) shall be direct applied Grade C sheeting.
2. Background shall be Grade C reflective sheeting.

LETTER POSITIONS
Letter spacings are to start of next letter
Series/Size Text Length
D 2000
41.1"

HL-0027 Sign Designs NORTH CAROLINA D.O.T. SIGN DETAIL

SIGN NUMBER: 303
TYPE: D
QUANTITY: 1
SIGN WIDTH: 72"
HEIGHT: 30"
TOTAL AREA: 15" Sq.Ft.
BORDER TYPE: FLUSH
RECESS: WIDTH: 0.8"
RADIUS:
NO. Z BARS:
LENGTH:
BACKG COLOR: Brown / Brown
COPY COLOR: White
SYMBOL X Y WID HT
AR_Type D 11.6" 17.1" 6" 9"
AR_Type D 55.1" 4" 6" 9"
DESIGN BY: S COLEMAN
PROJECT ID: 49218.26
CHECKED BY: LOCATION:
Jan 14, 2026
DIV: 6

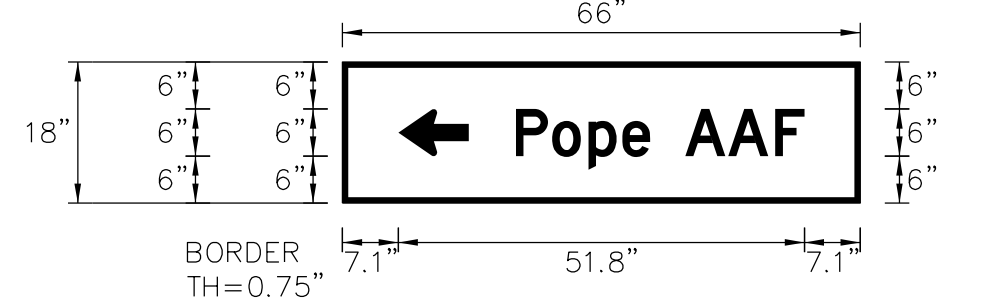


USE NOTES:
1. Legend and border(except those that are colored black) shall be direct applied Grade C sheeting.
2. Background shall be Grade C reflective sheeting.

LETTER POSITIONS
Letter spacings are to start of next letter
Series/Size Text Length
D 2000
36.8"

HL-0027 Sign Designs NORTH CAROLINA D.O.T. SIGN DETAIL

SIGN NUMBER: 304
TYPE: D
QUANTITY: 1
SIGN WIDTH: 66"
HEIGHT: 18"
TOTAL AREA: 8.3" Sq.Ft.
BORDER TYPE: FLUSH
RECESS: WIDTH: 0.8"
RADIUS:
NO. Z BARS:
LENGTH:
BACKG COLOR: Brown / Brown
COPY COLOR: White
SYMBOL X Y WID HT
AR_Type D 7.1" 6" 6" 9"
DESIGN BY: S COLEMAN
PROJECT ID: 49218.26
CHECKED BY: LOCATION:
Jan 14, 2026
DIV: 6



USE NOTES:
1. Legend and border(except those that are colored black) shall be direct applied Grade C sheeting.
2. Background shall be Grade C reflective sheeting.

LETTER POSITIONS
Letter spacings are to start of next letter
Series/Size Text Length
D 2000
36.8"

HL-0027 Sign Designs NORTH CAROLINA D.O.T. SIGN DETAIL

