

SECTION C-C
TERMINAL COMPARTMENT DETAIL

MFG _____ MFG. DATE: MM/YY
SHAFT D/T/L/Y _____
ARM-A D/T/L/Y _____
ARM-B D/T/L/Y _____
A.B. DIA./B.C./L/Y _____
NCDOT SIG. INV. NO. _____
NCDOT POLE NO. _____

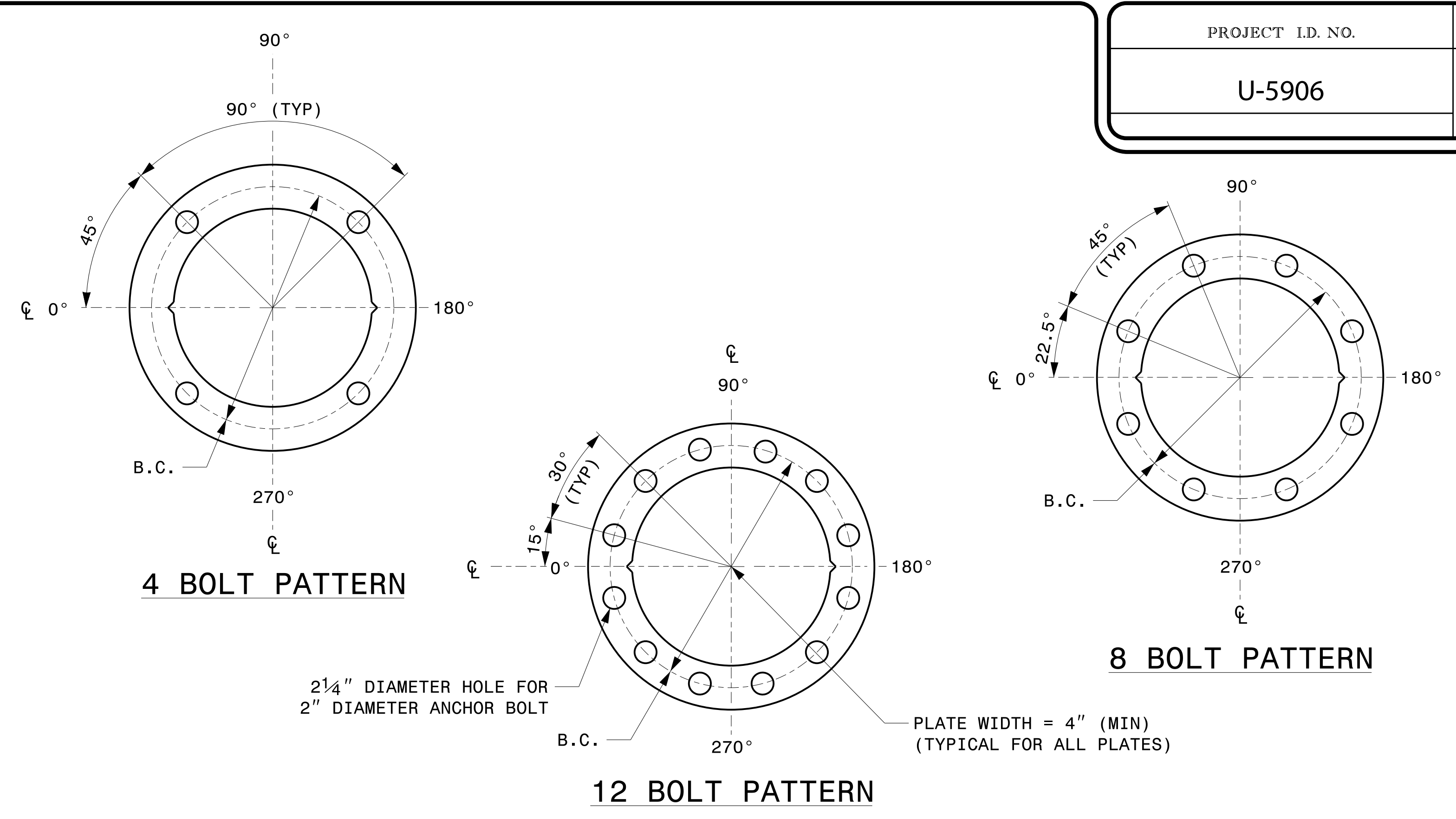
SHAFT I.D. TAG
(PROVIDE ON SHAFT OF STRAIN POLES AND MAST ARM POLE SHAFT)

MFG _____ MFG. DATE: MM/YY
SECTION D/T/L/Y _____
NCDOT SIG. INV. NO. _____
NCDOT POLE NO. _____

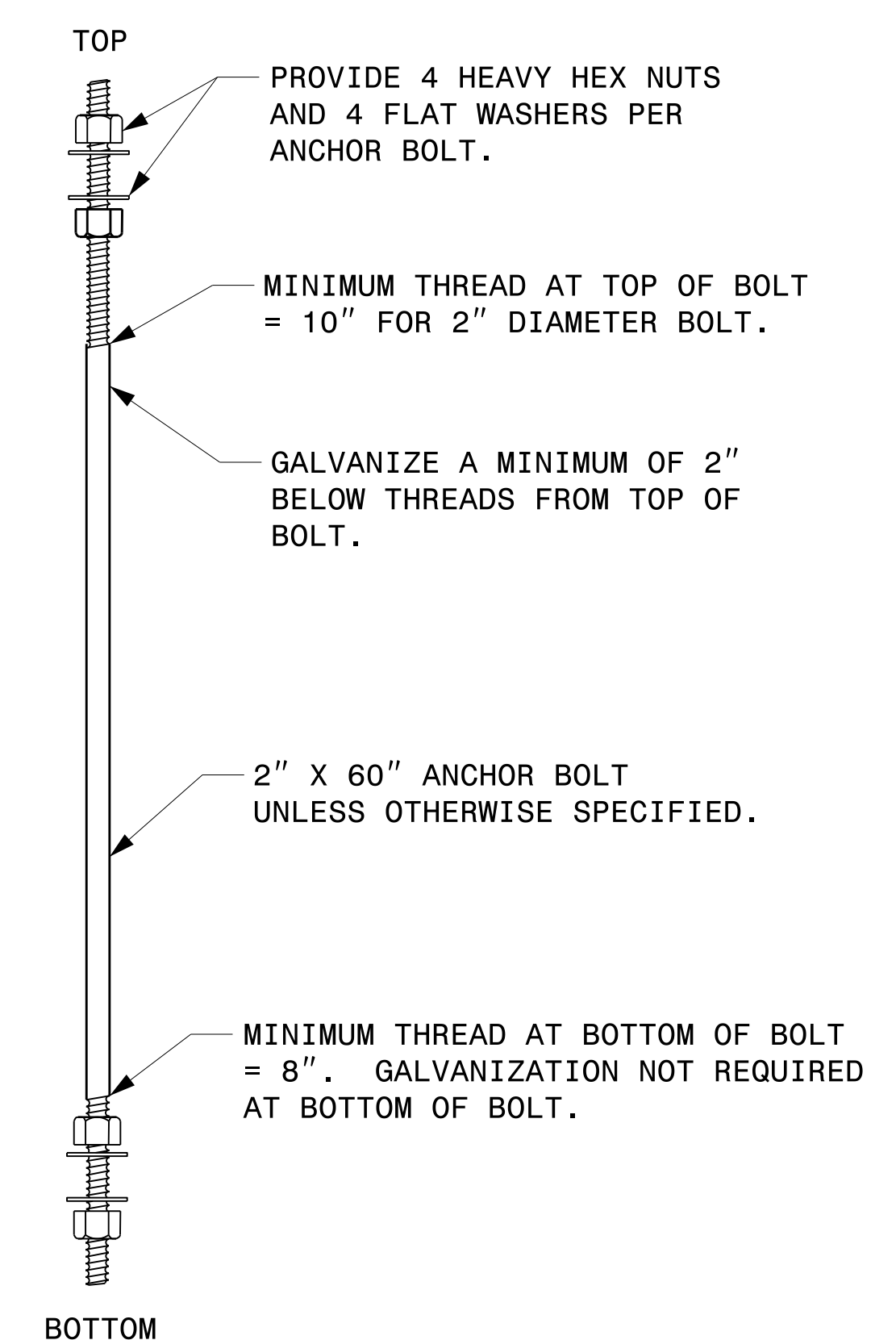
ARM I.D. TAG
(PROVIDE ON EACH SECTION OF A MULTI-SECTION MAST ARM)

- NOTES:**
- D = DIAMETER, T = THICKNESS, L = LENGTH, Y = YIELD STRENGTH
 - A.B. = ANCHOR BOLT
 - B.C. = BOLT CIRCLE OF ANCHOR BOLTS
 - IF STANDARD DESIGN, INCLUDE CASE NUMBER IN ADDITION TO POLE NUMBER ON "NCDOT POLE NO." LINE.
 - SIGNAL INV. NUMBER AND POLE I.D. NUMBER. SEE DRAWING M3 AND M4 FOR MOUNTING POSITIONS OF I.D. TAGS.

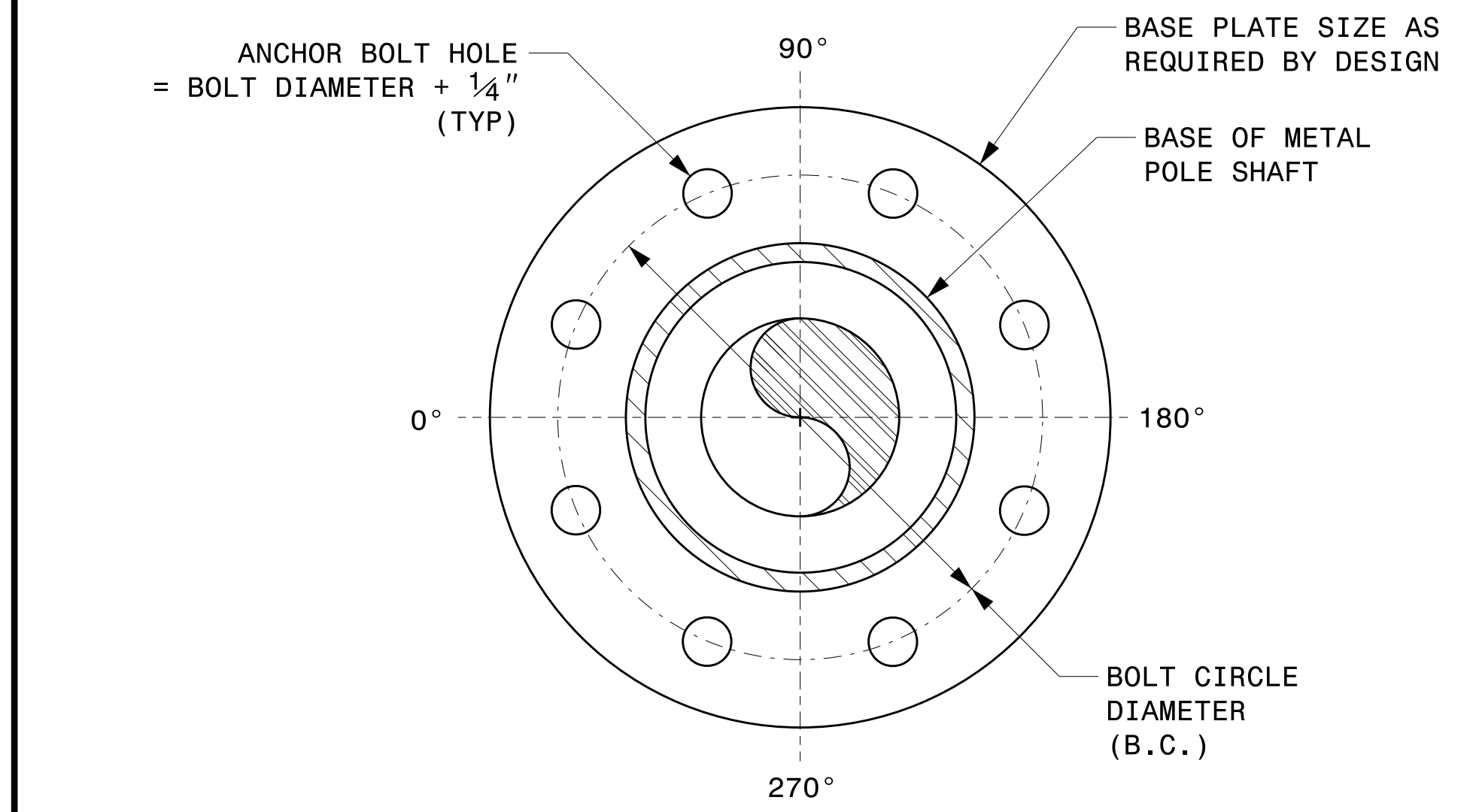
IDENTIFICATION TAG DETAILS



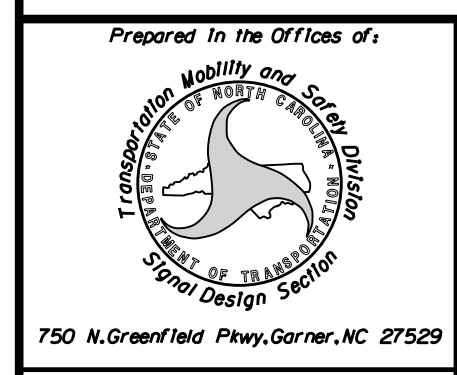
CONSTRUCT TEMPLATES AND PLATES FROM 1/4" (MIN) THICK STEEL. GALVANIZING IS NOT REQUIRED.
BASE PLATE TEMPLATE AND ANCHOR BOLT LOCK PLATE DETAILS



ANCHOR BOLT DETAIL



NOTE: BASE PLATE MAY BE CIRCULAR, OCTAGONAL, SQUARE OR RECTANGULAR IN SHAPE.
TYPICAL BASE PLATE DETAIL



Prepared in the Offices of:
Typical Fabrication Details For All Metal Poles
PLAN DATE: SEPTEMBER 2023 DESIGNED BY: C.F. ANDREWS
PREPARED BY: K.C. DURIGON REVIEWED BY: D.C. SARKAR

DocuSigned by:
Kevin Durigon
4P23DC79B3784DA

750 N. Greenfield Pkwy, Garner, NC 27529
SCALE: 0 NA NONE

09/21/2023 DATE

09_dpt_0923_19.dwg
S:\155\155\155\Sigs\155_Sig\155_Sig.dwg
Kedar.Tigun

Fabrication Details – All Metal Poles