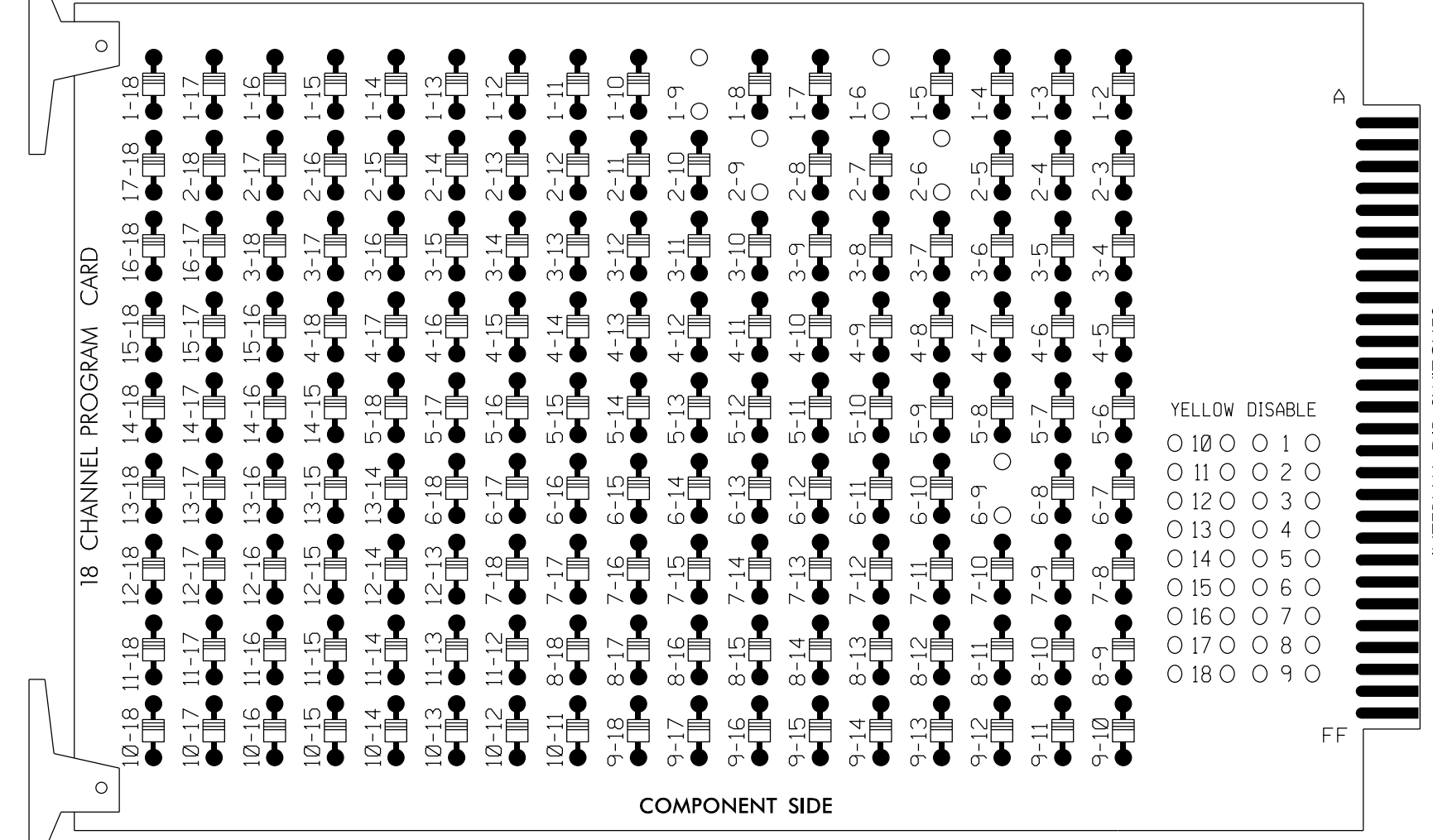


18 CHANNEL IP CONFLICT MONITOR PROGRAMMING DETAIL

(remove jumpers and set switches as shown)

REMOVE DIODE JUMPERS 1-6, 1-9, 2-6, 2-9 and 6-9.



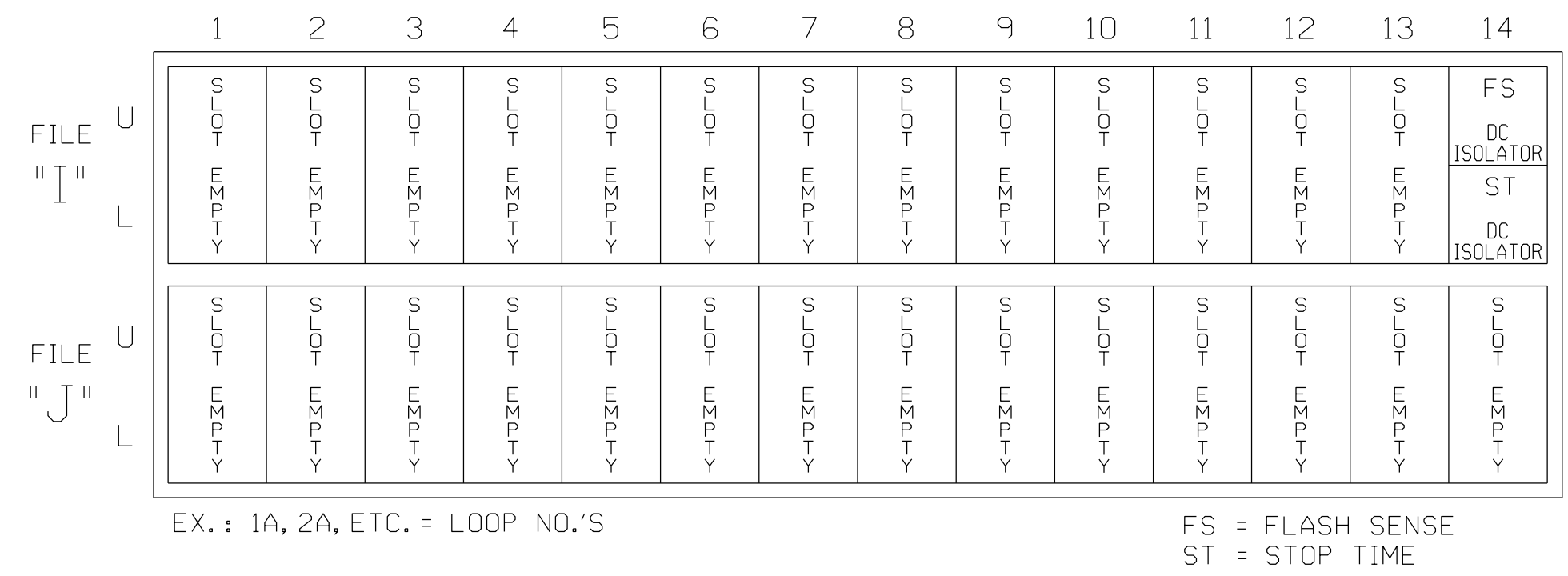
REMOVE JUMPERS AS SHOWN

NOTES:

- Card is provided with all diode jumpers in place. Removal of any jumper allows its channels to run concurrently.
- Ensure jumpers SEL2-SEL5 and SEL9 are present on the monitor board.
- Ensure that Red Enable is active at all times during normal operation.
- Ensure Conflict Monitor Ethernet port is connected to a Switch port located within the cabinet.

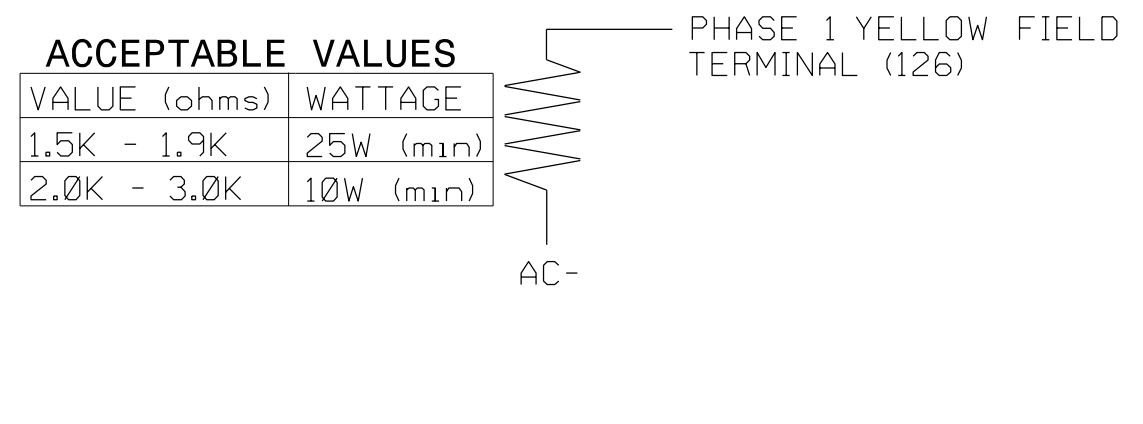
INPUT FILE POSITION LAYOUT

(front view)



LOAD RESISTOR INSTALLATION DETAIL

(install resistor as shown below)



NOTES

- To prevent "flash-conflict" problems, insert red flash program blocks for all vehicle load switches in the output file. The installer shall verify that signal heads flash in accordance with the Signal Plans.
- Initialize database in Trafficware 2070 local software (APOGEE) as FULL-CALTRANS. This initialization should be done prior to programming controller.
- Initialize I/O "C1-C11-ABC 10 Mode" to USER (MM 1-8-6). Then set "Init 2A" to MODE 5 (MM 1-8-9-3).
- Program phases 2 and 6 for Start Up In Green.
- Program "Start Up Flash" for 0 sec. The conflict monitor will govern start-up flash time.
- Ensure "Local Flash Start" feature is set to "DRK".
- Program "Start Red Time" for 6.0 seconds.
- Program controller to provide a 1 second delay on the Flash Sense/Local Flash input. Use the following logic statement to provide this functionality:

```
FROM MAIN MENU->1->8->7 (I/O LOGIC)
Result Src.Fcn } TimeOp Time
1208 = 01208 } DLY 1
```
- The cabinet and controller are part of the City of Greensboro Signal System.

EQUIPMENT INFORMATION

CONTROLLER.....2070E
 CABINET.....332 W/ AUX
 SOFTWARE.....TRAFFICWARE APOGEE
 CABINET MOUNT.....BASE
 OUTPUT FILE POSITIONS...18 WITH AUX. OUTPUT FILE
 LOAD SWITCHES USED.....S1,S2,S5,S8,AUX S1
 PHASES USED.....1,2,4,6
 OVERLAP "A".....*
 OVERLAP "B".....NOT USED
 OVERLAP "C".....NOT USED
 OVERLAP "D".....NOT USED
 * See overlap programming detail on sheet 2

SPECIAL DETECTOR NOTE

- Install a non-intrusive detection system for vehicle detection. Perform installation according to manufacturer's directions and NCDOT engineer-approved mounting locations to accomplish the detection schemes shown on the Signal Design Plans.

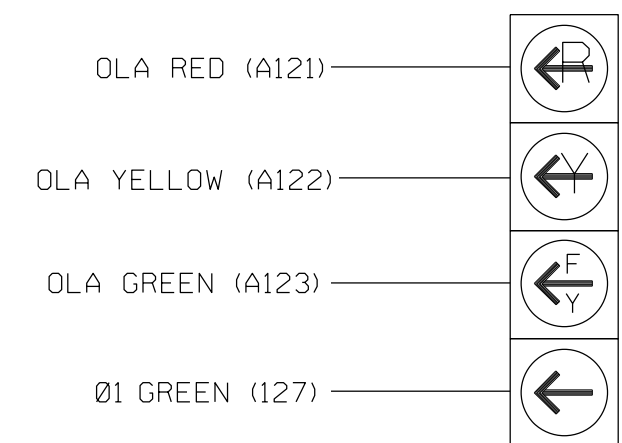
SIGNAL HEAD HOOK-UP CHART

LOAD SWITCH NO.	S1	S2	S3	S4	S5	S6	S7	S8	S9	S10	S11	S12	AUX S1	AUX S2	AUX S3	AUX S4	AUX S5	AUX S6	
CMU CHANNEL NO.	1	2	13	3	4	5	6	15	7	8	16	9	10	17	11	12	18		
PHASE	1	2	2 PED	3	4	4 PED	5	6	6 PED	7	8	8 PED	OLA	OLB	SPARE	OLC	OLD	SPARE	
SIGNAL HEAD NO.	11	21	22,24	NU	NU	41,43	NU	NU	61	62	NU	NU	NU	11	NU	NU	NU	NU	
RED		128	128			101			134	134									
YELLOW	*	129	129			102			135	135									
GREEN			130			103			136										
RED ARROW																		A121	
YELLOW ARROW																			A122
FLASHING YELLOW ARROW																			A123
GREEN ARROW	127	130									136								

NU = Not Used
 * Denotes install load resistor. See load resistor installation detail this sheet.
 * See pictorial of head wiring in detail below.

FYA SIGNAL WIRING DETAIL

(wire signal head as shown)



11

THIS ELECTRICAL DETAIL IS FOR THE SIGNAL DESIGN: 07-1648T3
 DESIGNED: January 2025
 SEALED: 03-14-2025
 REVISED: N/A

Electrical Detail - Sheet 1 of 3
 Temporary Design 3

ELECTRICAL AND PROGRAMMING DETAILS FOR: Prepared for the Offices of: AtkinsRéalis 1616 EAST MILLBROOK ROAD, SUITE 160 RALEIGH, NORTH CAROLINA 27609 (919) 876-6888 NCBEES #F-0326	SR 1850 (Sandy Ridge Road) at I-40 EB Ramps Division 7 Guilford County Greensboro		DOCUMENT NOT CONSIDERED FINAL UNLESS ALL SIGNATURES COMPLETED SEAL SEAL ANTHONY M. ENCARACION PROFESSIONAL ENGINEER 3/14/2025 SIGNATURE DATE 3/14/2025 DATE 3/14/2025 SIG. INVENTORY NO. 07-1648T3
	PLAN DATE: January 2025 PREPARED BY: JT Stiff	REVIEWED BY: AM Encarnacion REVIEWED BY: PL Alexander	

13-MAR-2025 17:25
 PW://SUD0036343:wootr.fis.com:ATKMANCO1/Documents/Roads and Bridges/Projects/100059632_USSR_S1g and ITS/Task_05_11_Signals/071648T3_sme.le_2023mcdi.dgn
 S1F4665 - AT L05491089