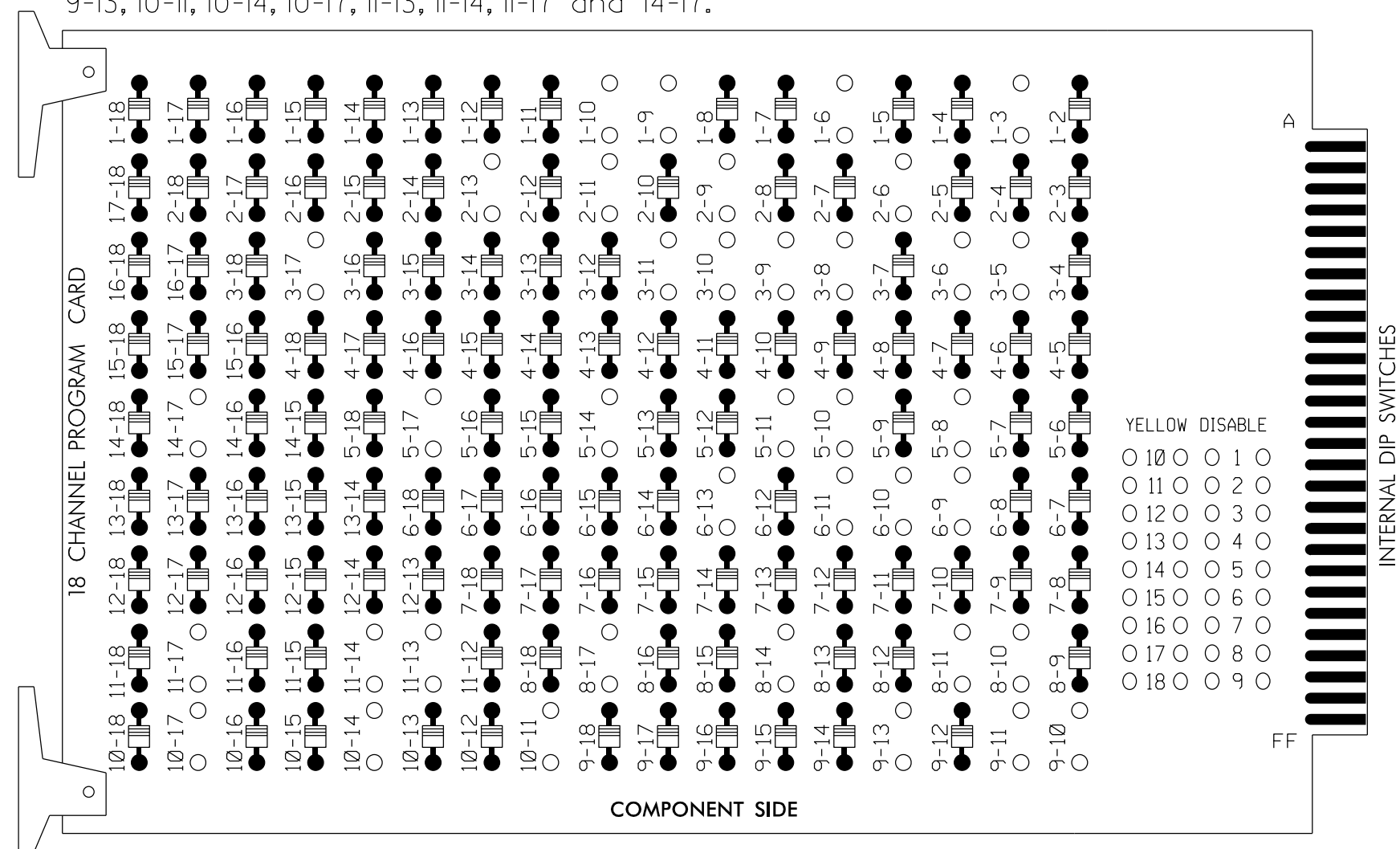


### 18 CHANNEL IP CONFLICT MONITOR

#### PROGRAMMING DETAIL

(remove jumpers and set switches as shown)

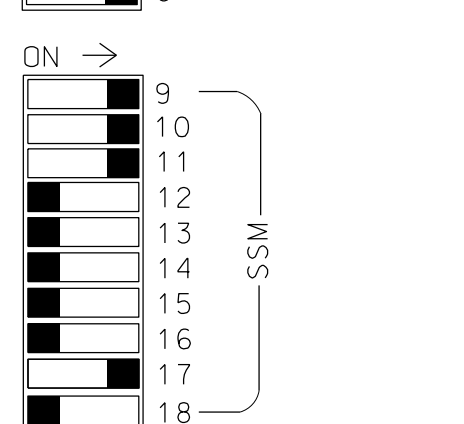
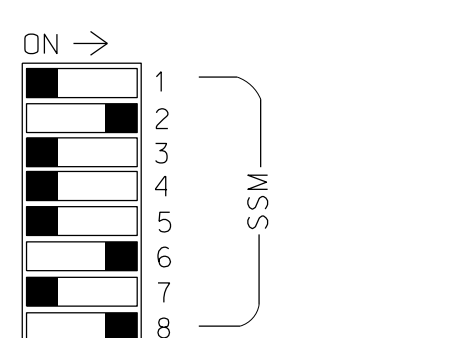
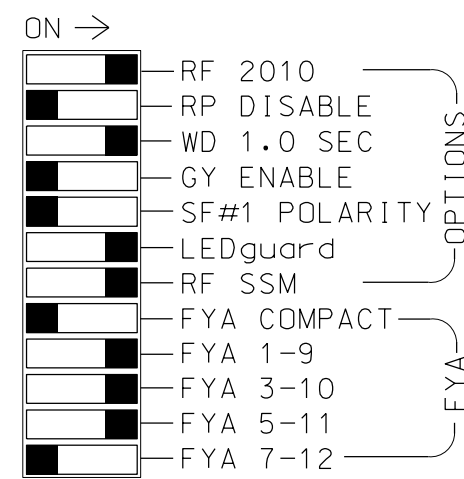
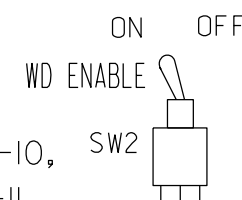
REMOVE DIODE JUMPERS 1-3, 1-6, 1-9, 1-10, 2-6, 2-9, 2-11, 2-13, 3-5, 3-6, 3-8, 3-9, 3-10, 3-11, 3-17, 5-8, 5-10, 5-11, 5-14, 5-17, 6-9, 6-10, 6-11, 6-13, 8-10, 8-11, 8-14, 8-17, 9-10, 9-11, 9-13, 10-11, 10-14, 10-17, 11-13, 11-14, 11-17 and 14-17.



REMOVE JUMPERS AS SHOWN

**NOTES:**

1. Card is provided with all diode jumpers in place. Removal of any jumper allows its channels to run concurrently.
2. Ensure jumpers SEL2-SEL5 and SEL9 are present on the monitor board.
3. Ensure that Red Enable is active at all times during normal operation.
4. Integrate monitor with Ethernet network in cabinet.



■ = DENOTES POSITION OF SWITCH

### NOTES

1. To prevent "flash-conflict" problems, insert red flash program blocks for all vehicle load switches in the output file. The installer shall verify that signal heads flash in accordance with the Signal Plans.
2. Program controller to start up in phase 2 Green and 6 Green.
3. The cabinet and controller are part of the High Point Signal System.

### EQUIPMENT INFORMATION

CONTROLLER.....2070LX  
 CABINET.....332 W/ AUX  
 SOFTWARE.....ECONOLITE ASC/3-2070  
 CABINET MOUNT.....BASE  
 OUTPUT FILE POSITIONS...18 WITH AUX. OUTPUT FILE  
 LOAD SWITCHES USED.....S1,S2,S3,S4,S6,S7,S8,S11,  
 AUX S1,AUX S2,AUX S3,AUX S4  
 PHASES USED.....1,2,2 PED,3,4\*,4 PED,6  
 OVERLAP "A".....\*\*  
 OVERLAP "B".....\*\*  
 OVERLAP "C".....\*\*  
 OVERLAP "D".....NOT USED  
 OVERLAP "E".....\*\*  
 OVERLAP "G".....\*\*  
 OVERLAP "H".....\*\*  
 OVERLAP "I".....\*\*

\* Phase used for timing purposes only  
 \*\* See overlap programming detail on sheet 2

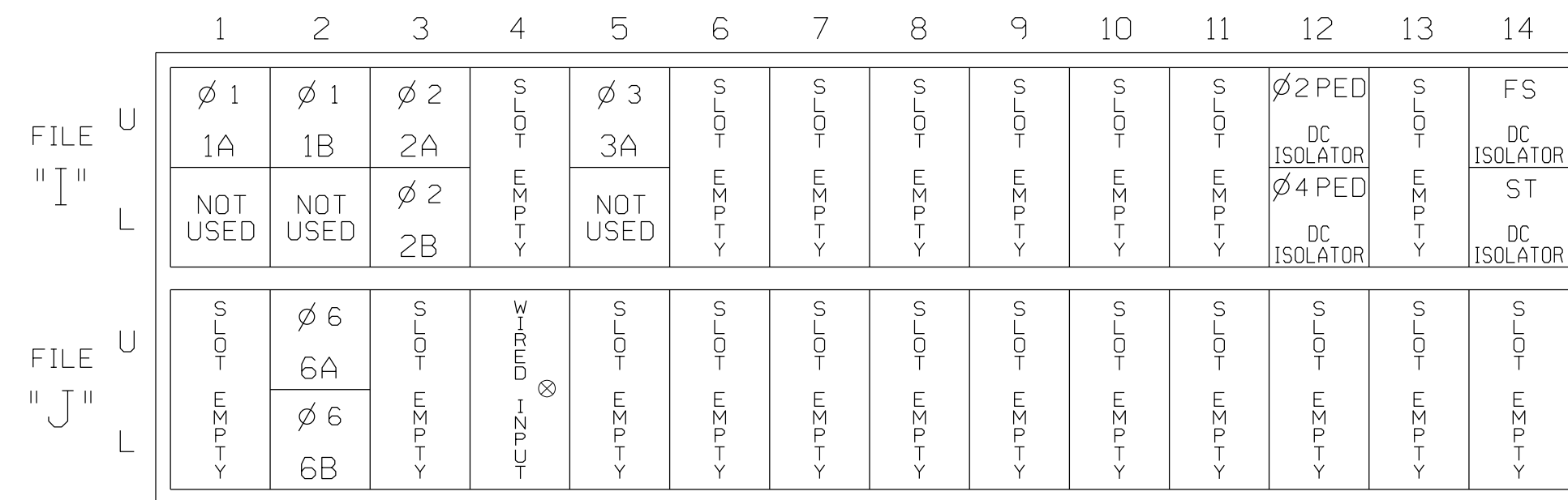
### SIGNAL HEAD HOOK-UP CHART

LOAD SWITCH NO.	S1	S2	S3	S4	S5	S6	S7	S8	S9	S10	S11	S12	AUX S1	AUX S2	AUX S3	AUX S4	AUX S5	AUX S6	
CMU CHANNEL NO.	1	2	13	3	4	14	5	6	15	7	8	16	9	10	17	11	12	18	
PHASE	1	2	2 PED	OLG	4	4 PED	OLH	6	6 PED	7	OL1	8 PED	OLA	OLB	OLE	OLC	OLD	SPARE	
SIGNAL HEAD NO.	11	21	22	P21, P22	32	NC	P41, P42	23	61,62	NU	NU	31	NU	11	32	33	23	NU	NU
RED		128	128							134								A124	A114
YELLOW	*	129	129		*			*	135										
GREEN			130						136										
RED ARROW												107		A121				A111	
YELLOW ARROW												108		A122	A125	A112		A115	
FLASHING YELLOW ARROW														A123	A126			A116	
GREEN ARROW	127	130			118			133				109						A113	
Hand icon					113			104											
Person icon								106											

NU = Not Used  
 NC = Not Connected  
 \* Denotes install load resistor. See load resistor installation detail this sheet.  
 ★ See pictorial of head wiring in detail below.

### INPUT FILE POSITION LAYOUT

(front view)



EX. : 1A, 2A, ETC. = LOOP NO.'S

FS = FLASH SENSE  
 ST = STOP TIME

⊗ Wired Input - Do not populate slot with detector card

### INPUT FILE CONNECTION & PROGRAMMING CHART

LOOP NO.	LOOP TERMINAL	INPUT FILE POS.	PIN NO.	DETECTOR NO.	NEMA PHASE	CALL	EXTEND TIME	DELAY TIME	ADDED INITIAL	DETECTOR TYPE
1A <sup>1</sup>	TB2-1,2	11U	56	1 ★	1	YES		15.0		N
	-	J4U	48	26 ★	6	YES		3.0		G
1B	TB2-5,6	12U	39	2	1	YES		15.0		N
2A	TB2-9,10	13U	63	32	2	YES			X	N
2B	TB2-11,12	13L	76	42	2	YES			X	N
3A	TB4-5,6	15U	58	3	3	YES		3.0		N
6A	TB3-5,6	J2U	40	6	6	YES			X	N
6B	TB3-7,8	J2L	44	16	6	YES			X	N
PED PUSH BUTTONS										
P21,P22	TB8-4,6	112U	67	PED 2	2 PED					
P41,P42	TB8-5,6	112L	69	PED 4	4 PED					

NOTE:  
 INSTALL DC ISOLATORS  
 IN INPUT FILE SLOT 112.

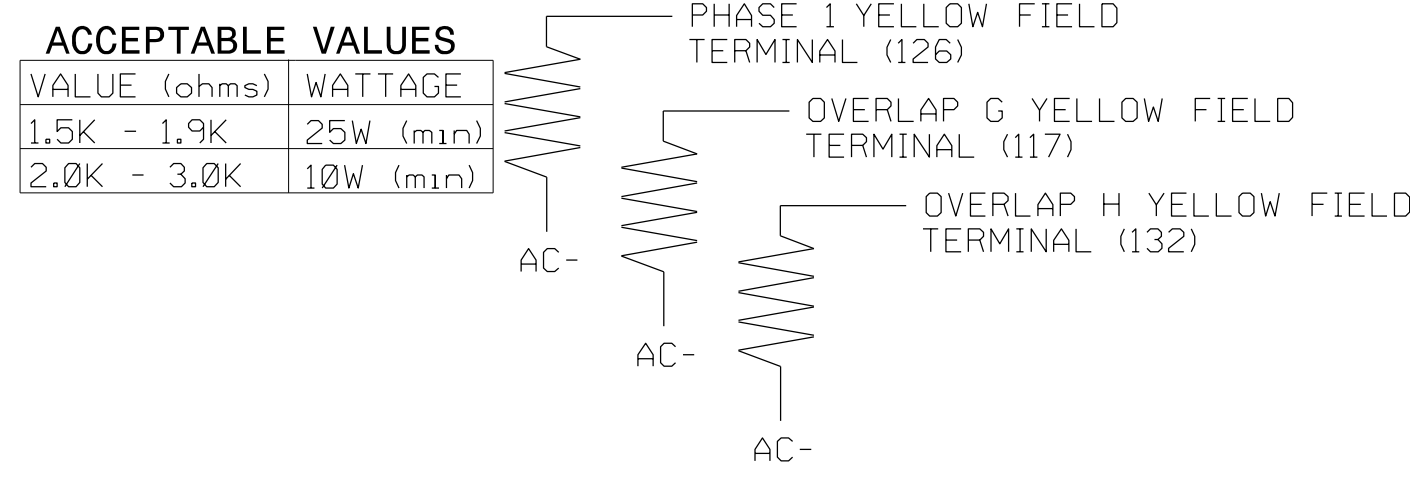
<sup>1</sup>Add jumper from I1-W to J4-W, on rear of input file.  
 ★ For the detectors to work as shown on the signal design plan.  
 See the Vehicle Detector Setup Programming Detail for Alternate Phasing on sheet 2.

INPUT FILE POSITION LEGEND: J2L



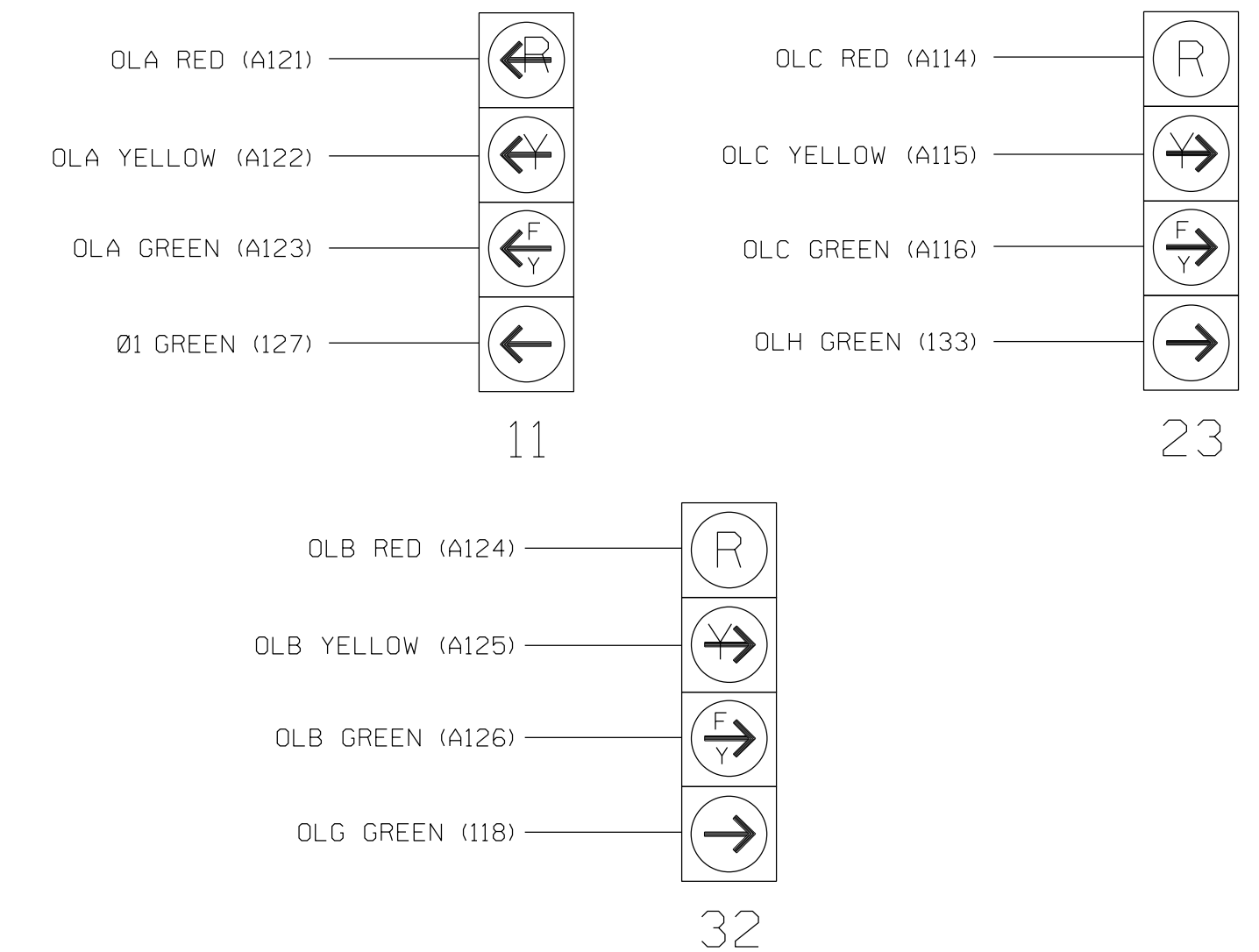
### LOAD RESISTOR INSTALLATION DETAIL

(install resistors as shown below)



### FYA SIGNAL WIRING DETAIL

(wire signal heads as shown)



THIS ELECTRICAL DETAIL IS FOR  
 THE SIGNAL DESIGN: 07-1114  
 DESIGNED: January 2025  
 SEALED: 03-14-2025  
 REVISED: N/A

### Electrical Detail - Sheet 1 of 4

ELECTRICAL AND PROGRAMMING DETAILS FOR: Prepared for the Offices of: 	SR 1820 (Sandy Ridge Road) at SR 1837 (Clinard Farms Road)		SEAL 
	Division 7 Guilford County High Point		
PLAN DATE: January 2025 PREPARED BY: JT Stiff	REVIEWED BY: AM Encarnacion REVIEWED BY: PL Alexander	REVISIONS INIT. DATE	DOCUMENT NOT CONSIDERED FINAL UNLESS ALL SIGNATURES COMPLETED DOCUMENTED BY: Anthony Encarnacion DATE: 3/14/2025 SIGNATURE: _____ DATE: _____ SIG. INVENTORY NO. 07-1114

**AtkinsRéalis**  
 1616 EAST MILLBROOK ROAD, SUITE 160  
 RALEIGH, NORTH CAROLINA 27609  
 (919) 876-6888 NCBEES #F-0326