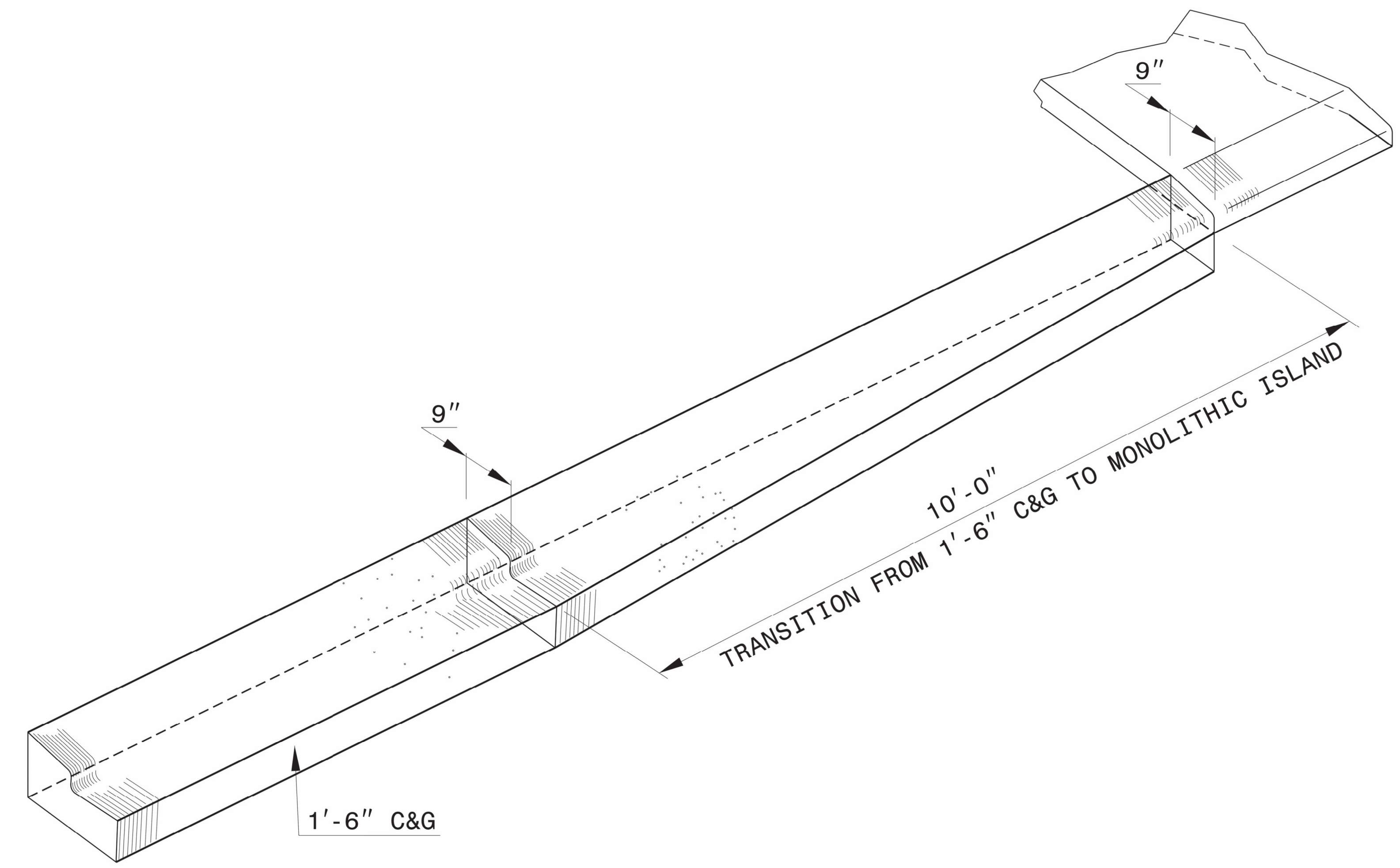


**1'-6" CURB AND GUTTER**

NOTE: SEE STD. DWG. 846.01 FOR ADDITIONAL CURB AND GUTTER INFORMATION.

SEE ROADWAY PLANS FOR LOCATION OF CURB TRANSITION.



**ISOMETRIC VIEW OF  
TRANSITIONING CURB & GUTTER**



5/22/2025

DOCUMENT NOT CONSIDERED FINAL  
UNLESS ALL SIGNATURES COMPLETED

**CONTRACTS STANDARDS  
AND DEVELOPMENT UNIT**  
Office 919-707-6950 FAX 919-250-4119

**DETAIL OF 1'-6"  
CURB & GUTTER  
TRANSITION SECTION**

ORIGINAL BY:	DATE:
MODIFIED BY: KKEMPF	DATE: 09-24-14
CHECKED BY:	DATE:
FILE SPEC.: kkempf/english/curb_gutter_transition.dgn	