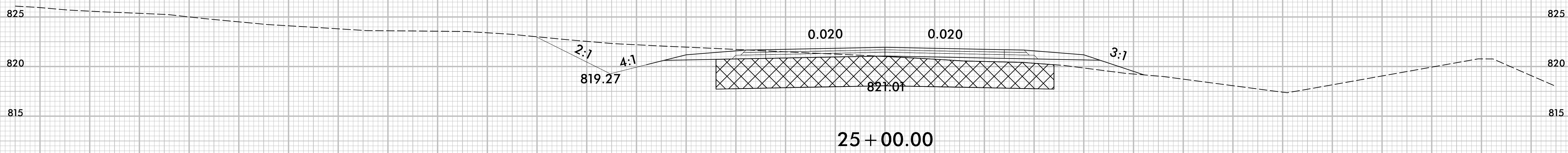
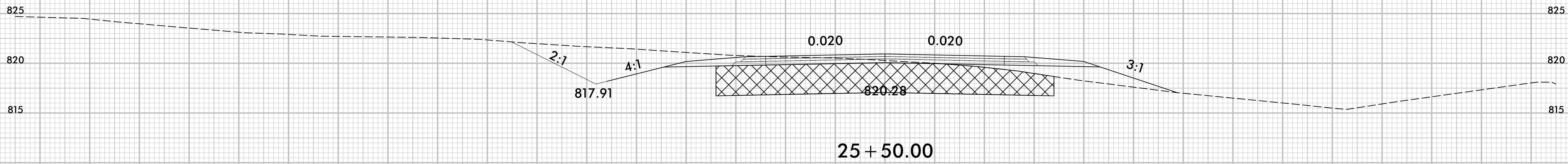
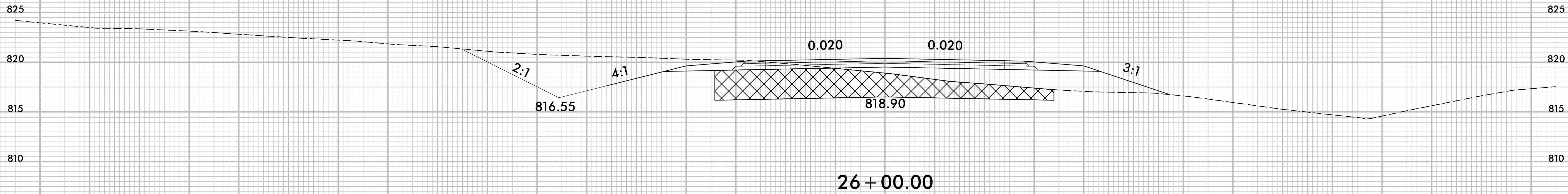




85 80 75 70 65 60 55 50 45 40 35 30 25 20 15 10 5 0 5 10 15 20 25 30 35 40 45 50 55 60 65

UNDERCUT EXCAVATION



**-Y3REV-**