

# TIP NO. BR-0139 CROSS SECTION INDEX

<u>LOCATION</u>	<u>STATION TO STATION</u>	<u>SHEET NO.</u>
-L-	STA 12+00.00 TO STA 40+50.00	X-2 TO X-24
-Y1-	STA 10+50.00 TO STA 12+00.00	X-25 TO X-26

Note: Approximate quantities only. Unclassified Excavation, Borrow Excavation, Fine Grading, Removal of Existing Asphalt Pavement, Breaking of Existing Asphalt Pavement, and Clearing and Grubbing, will be paid for at the contract lump sum price for "Grading."

NOTE: EMBANKMENT COLUMN DOES NOT INCLUDE BACKFILL FOR UNDERCUT

## CROSS-SECTION SUMMARY

Station L	Uncl. Exc. (cu. yd.)	Embt (cu. yd.)	Station Y1	Uncl. Exc. (cu. yd.)	Embt (cu. yd.)
12+50.00	0	0	10+50.00	0	0
13+00.00	28	6	11+00.00	26	5
13+50.00	51	6	11+50.00	51	1
14+00.00	71	10			
14+50.00	106	37			
15+00.00	114	96			
15+50.00	80	167			
16+00.00	54	247			
16+50.00	42	345			
17+00.00	31	458			
17+50.00	27	549			
18+00.00	41	591			
18+50.00	30	596			
18+62.50	0	150			
Station L	Uncl. Exc. (cu. yd.)	Embt (cu. yd.)			
22+50.50	0	0			
23+00.00	0	349			
23+50.00	7	310			
24+00.00	22	263			
24+50.00	34	237			
25+00.00	68	229			
25+50.00	86	216			
26+00.00	61	198			
26+50.00	41	165			
27+00.00	31	127			
27+50.00	37	81			
28+00.00	35	54			
28+50.00	11	48			
29+00.00	0	42			
29+50.00	0	49			
30+00.00	0	64			
30+50.00	9	75			
31+00.00	9	74			
31+50.00	0	89			
32+00.00	0	130			
32+50.00	4	209			
33+00.00	4	273			
33+50.00	0	307			
34+00.00	0	338			
34+50.00	0	306			
35+00.00	0	251			
35+50.00	0	204			
36+00.00	0	165			
36+50.00	0	151			
37+00.00	0	140			
37+50.00	3	121			
38+00.00	15	102			
38+50.00	21	79			
39+00.00	25	41			
39+50.00	24	16			
40+00.00	17	11			
40+20.00	6	4			

5/14/99

I:\JUL-2024\1603\oadway\Corr\1603\oadway\BR0139\_rdy\_xsc\_summary.dgn

75 70 65 60 55 50 45 40 35 30 25 20 15 10 5 0 5 10 15 20 25 30 35 40 45 50 55 60 65 70 75

EXIST RW

EXIST RW

EXIST RW

EXIST RW

0.016

0.016

0.007

4:1 3:1

21.96

20.13

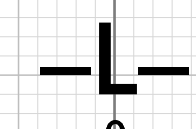
12 + 50.00

BEGIN GRADE - STA. 12 + 50.00

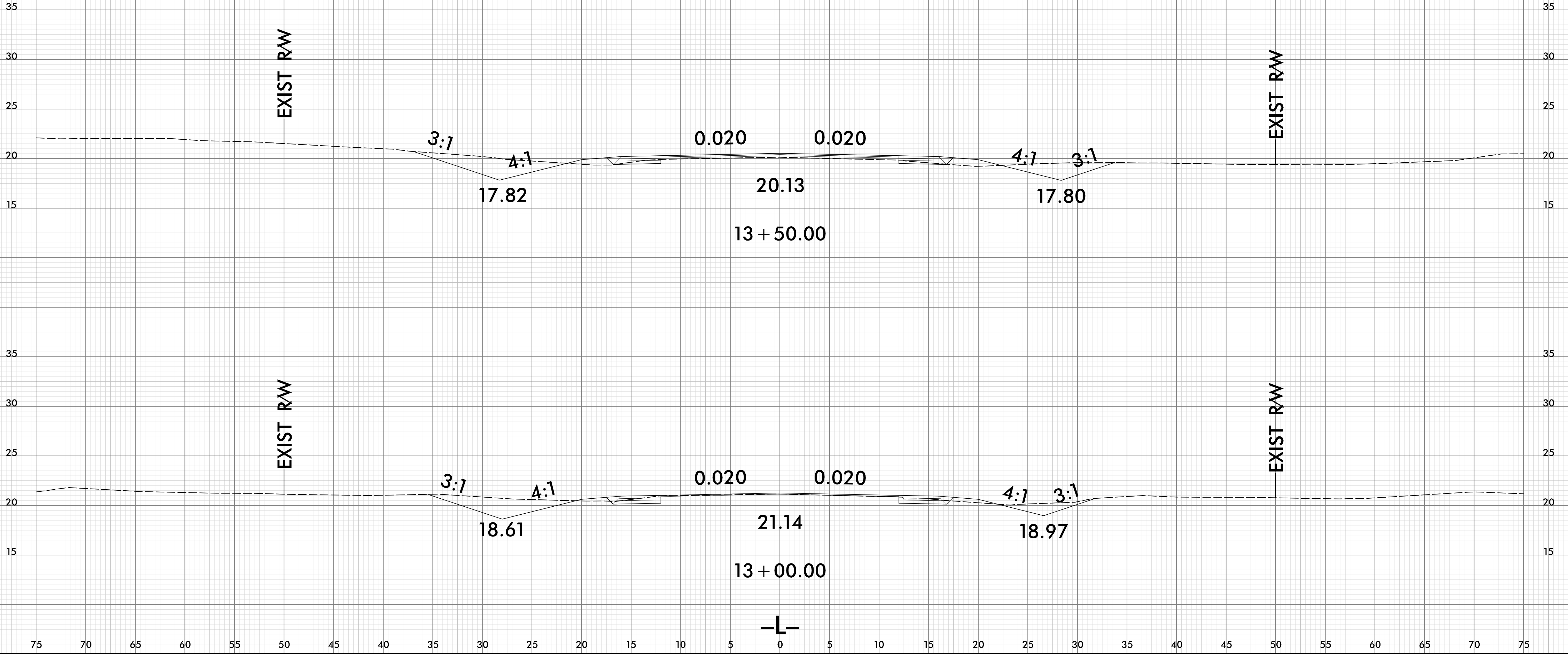
22.59

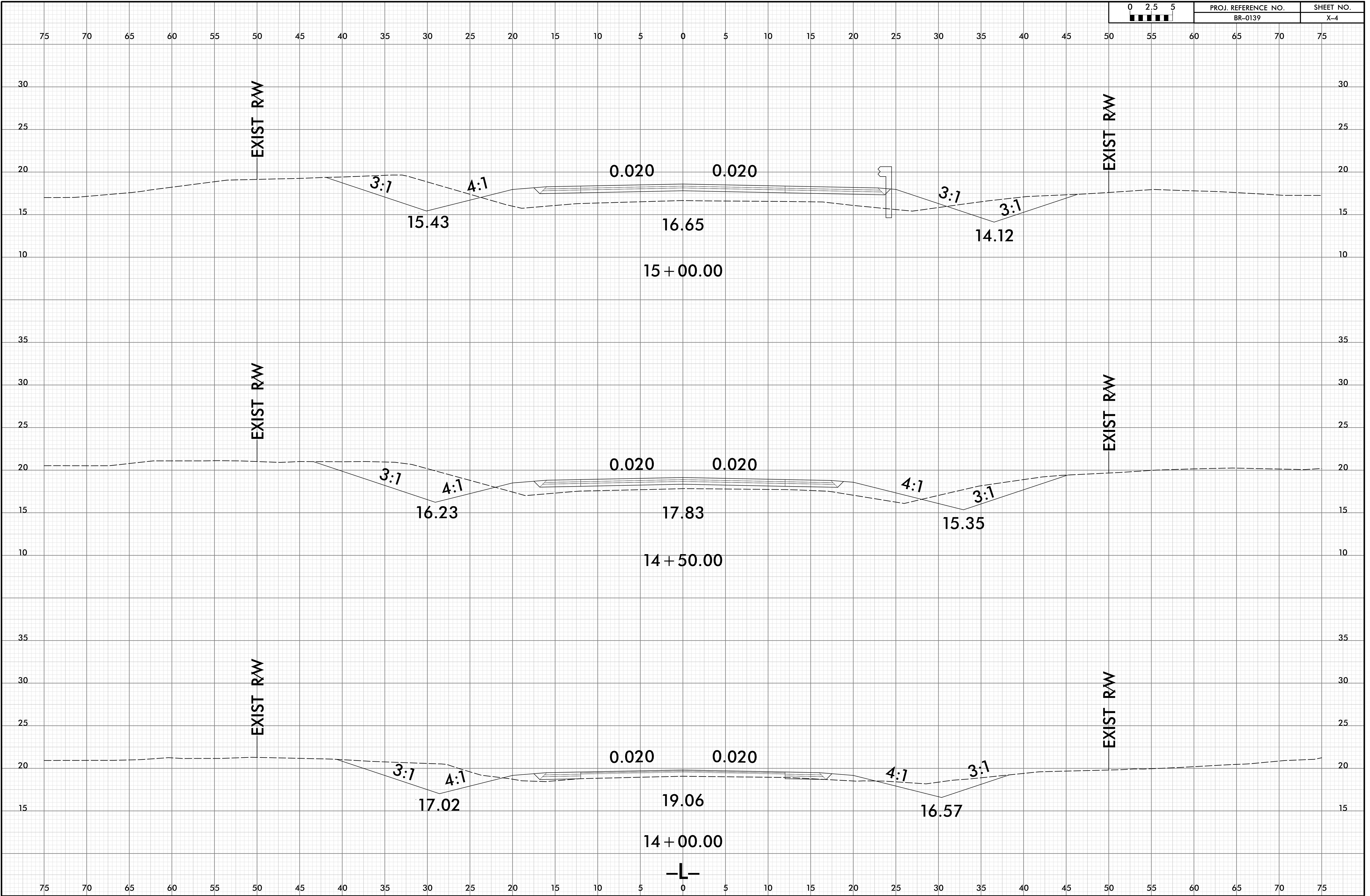
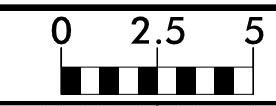
12 + 00.00

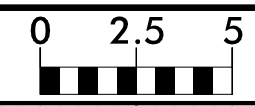
Note: Approximate quantities only. Unclassified Excavation, Borrow Excavation, Fine Grading, Removal of Existing Asphalt Pavement, Breaking of Existing Asphalt Pavement, and Clearing and Grubbing, will be paid for at the contract lump sum price for "Grading."



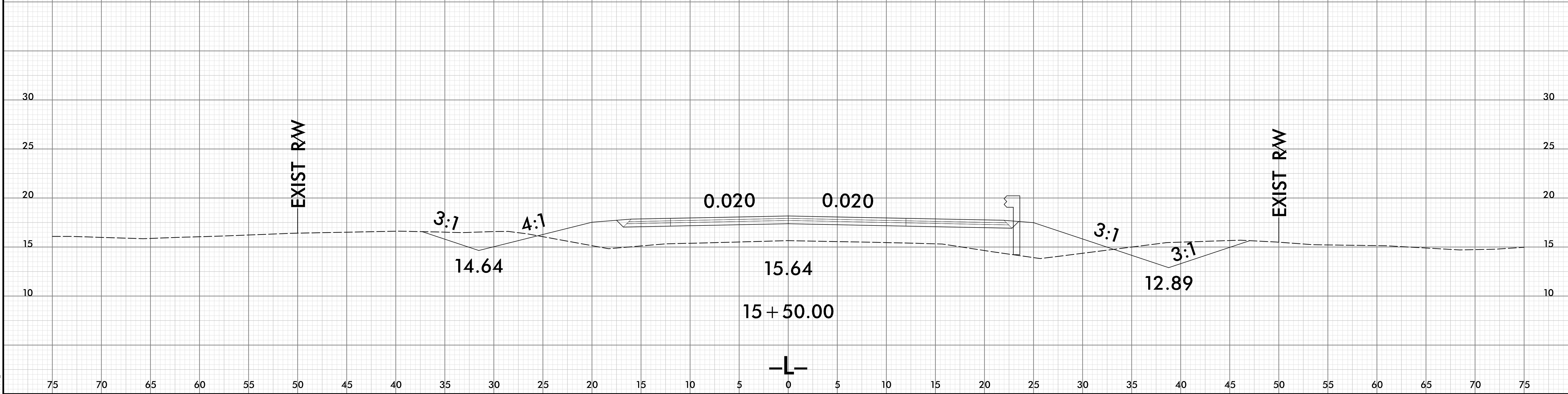
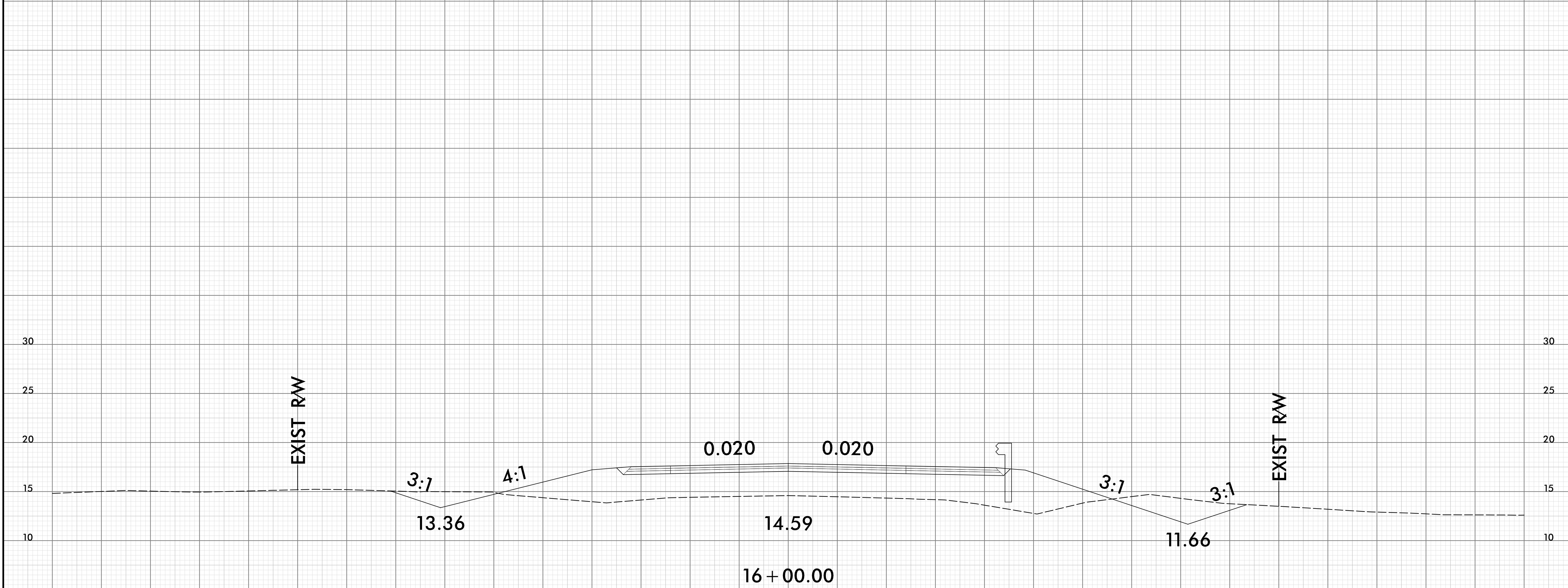
75 70 65 60 55 50 45 40 35 30 25 20 15 10 5 0 5 10 15 20 25 30 35 40 45 50 55 60 65 70 75





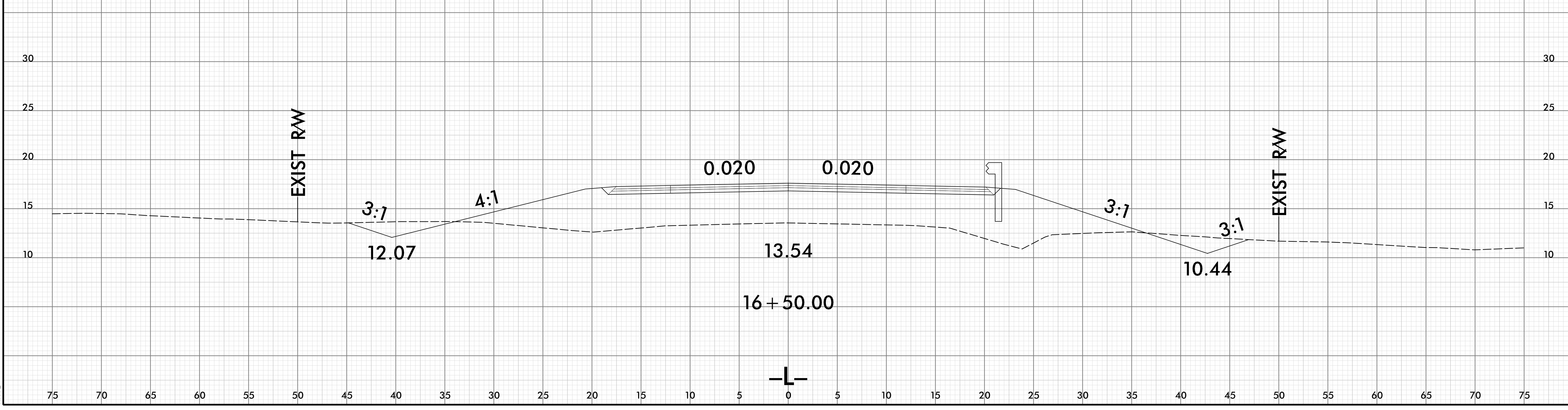
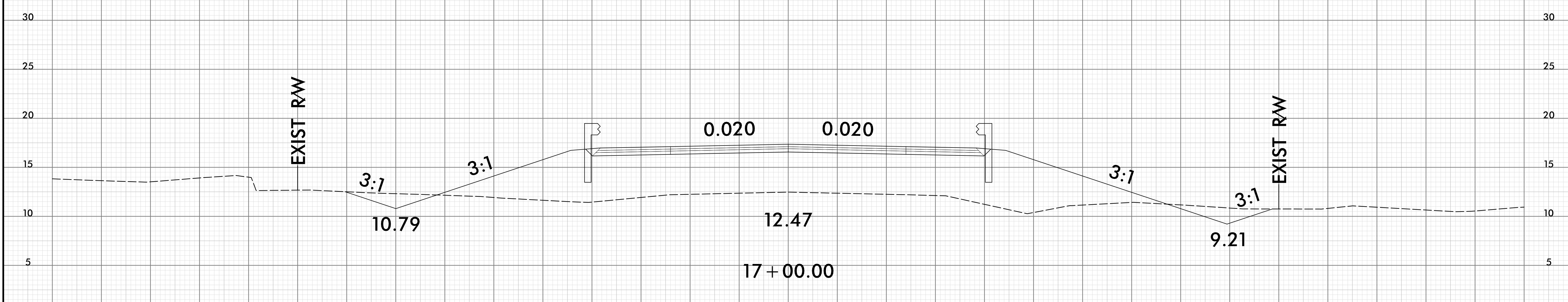


75 70 65 60 55 50 45 40 35 30 25 20 15 10 5 0 5 10 15 20 25 30 35 40 45 50 55 60 65 70 75



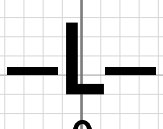
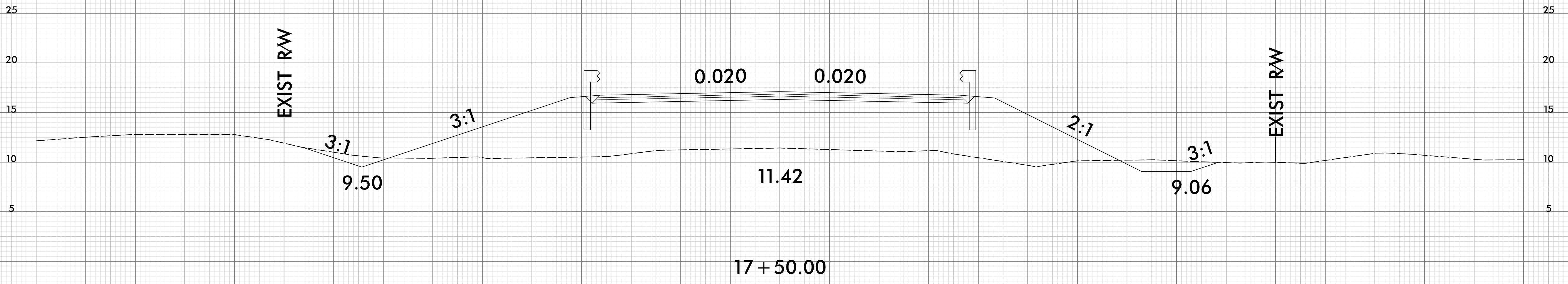
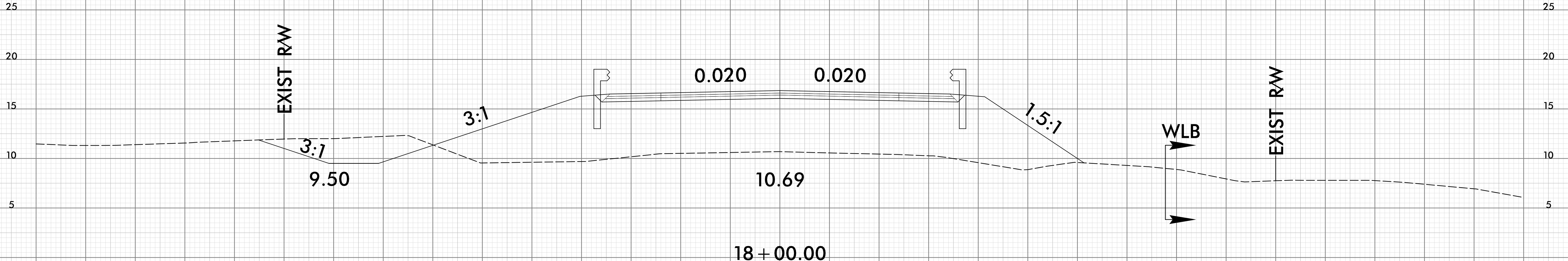
75 70 65 60 55 50 45 40 35 30 25 20 15 10 5 0 5 10 15 20 25 30 35 40 45 50 55 60 65 70 75

75 70 65 60 55 50 45 40 35 30 25 20 15 10 5 0 5 10 15 20 25 30 35 40 45 50 55 60 65 70 75



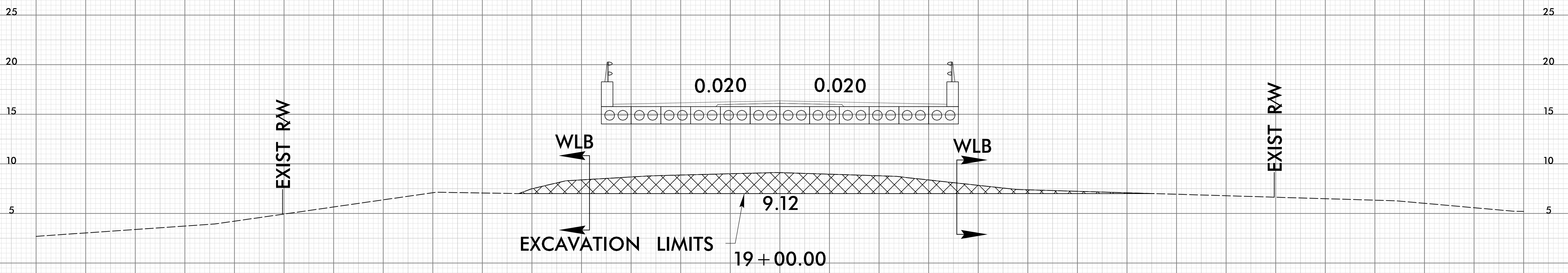
75 70 65 60 55 50 45 40 35 30 25 20 15 10 5 0 5 10 15 20 25 30 35 40 45 50 55 60 65 70 75

75 70 65 60 55 50 45 40 35 30 25 20 15 10 5 0 5 10 15 20 25 30 35 40 45 50 55 60 65 70 75

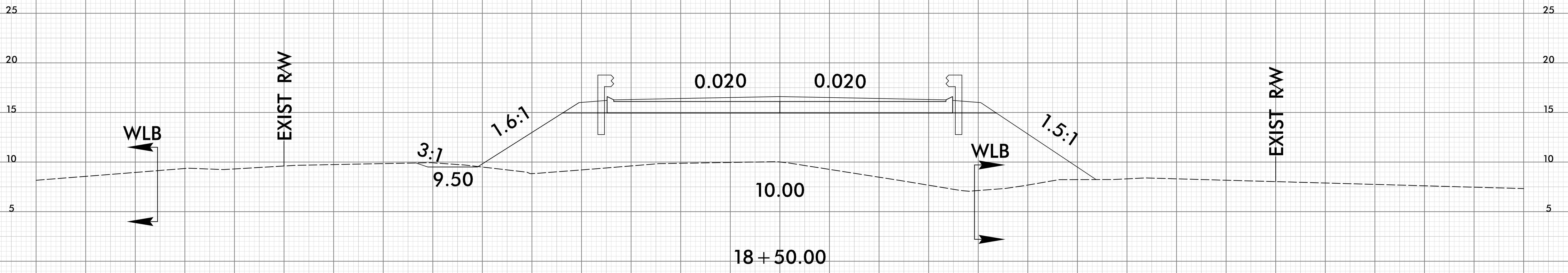




75 70 65 60 55 50 45 40 35 30 25 20 15 10 5 0 5 10 15 20 25 30 35 40 45 50 55 60 65 70 75



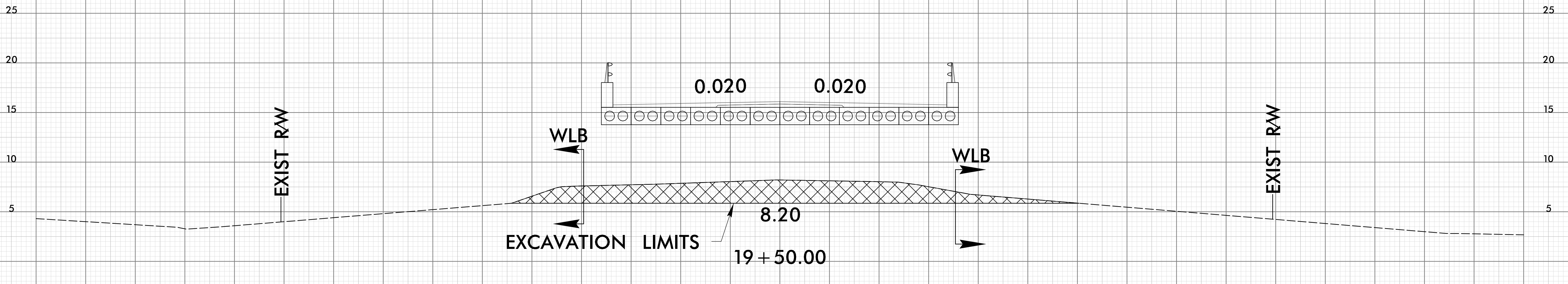
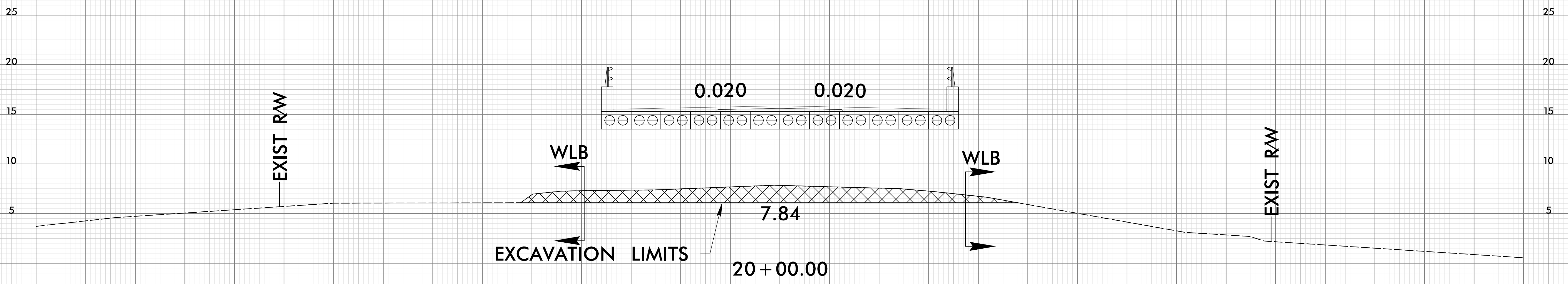
BEGIN BRIDGE - STA. 18 + 62.50



—L—

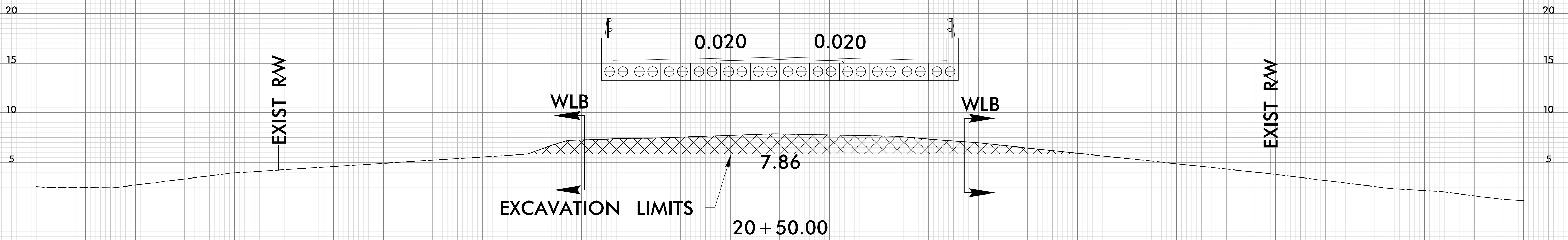
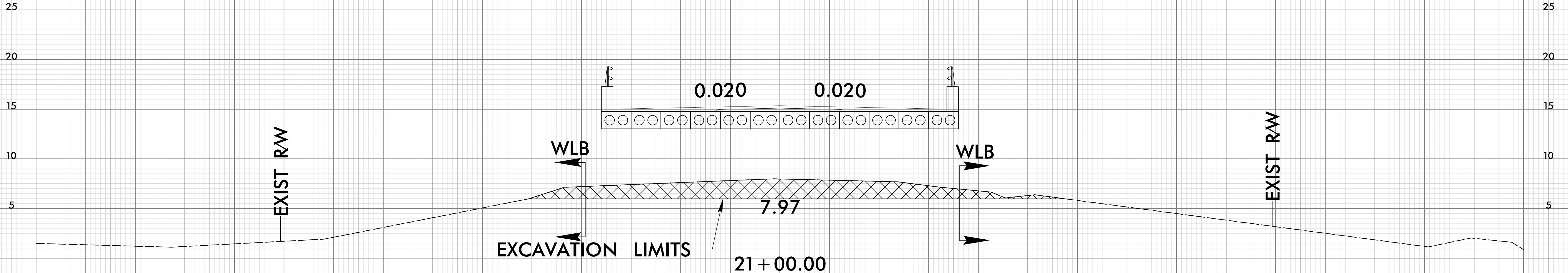
75 70 65 60 55 50 45 40 35 30 25 20 15 10 5 0 5 10 15 20 25 30 35 40 45 50 55 60 65 70 75

75 70 65 60 55 50 45 40 35 30 25 20 15 10 5 0 5 10 15 20 25 30 35 40 45 50 55 60 65 70 75



L

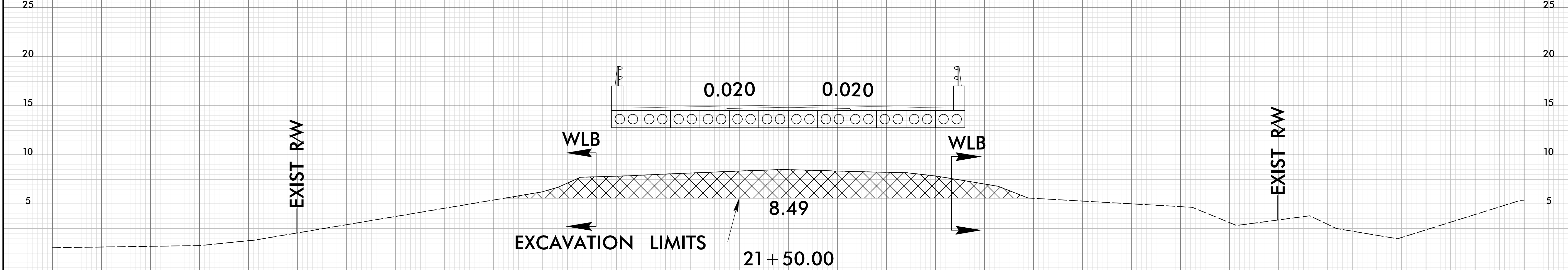
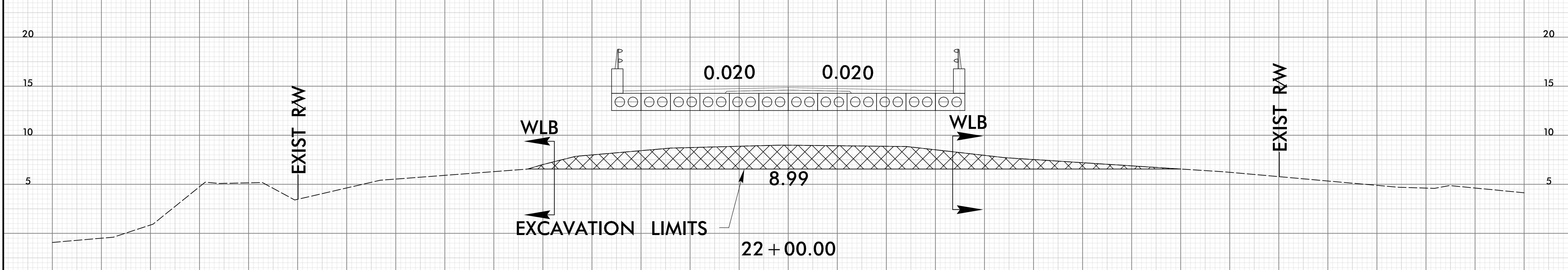
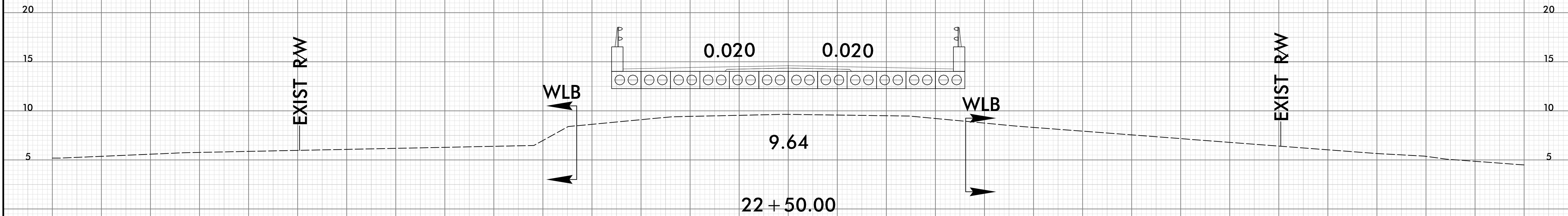
75 70 65 60 55 50 45 40 35 30 25 20 15 10 5 0 5 10 15 20 25 30 35 40 45 50 55 60 65 70 75



L

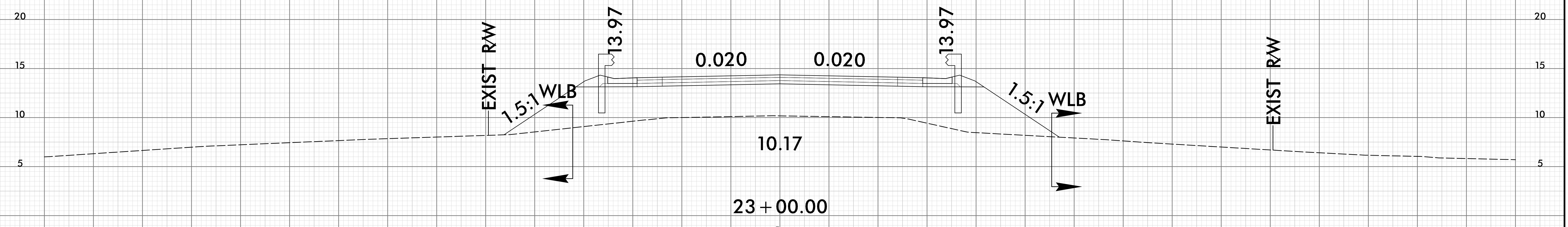
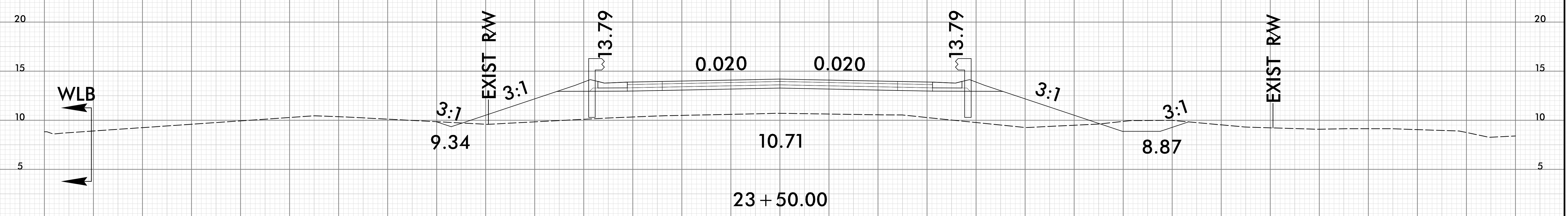
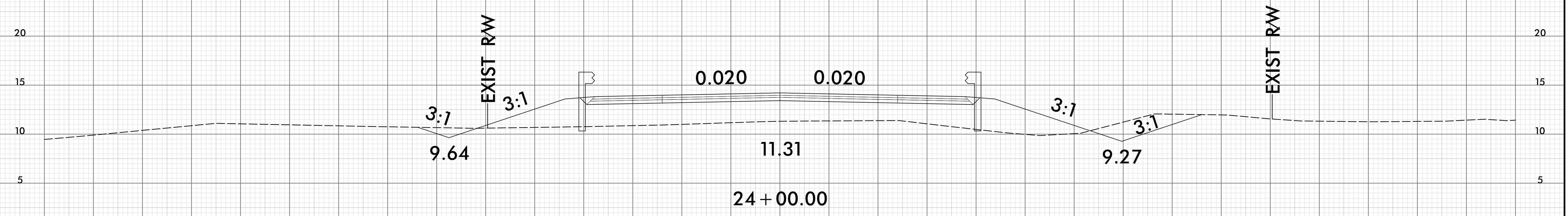
75 70 65 60 55 50 45 40 35 30 25 20 15 10 5 0 5 10 15 20 25 30 35 40 45 50 55 60 65 70 75

END BRIDGE - STA. 22 + 50.50

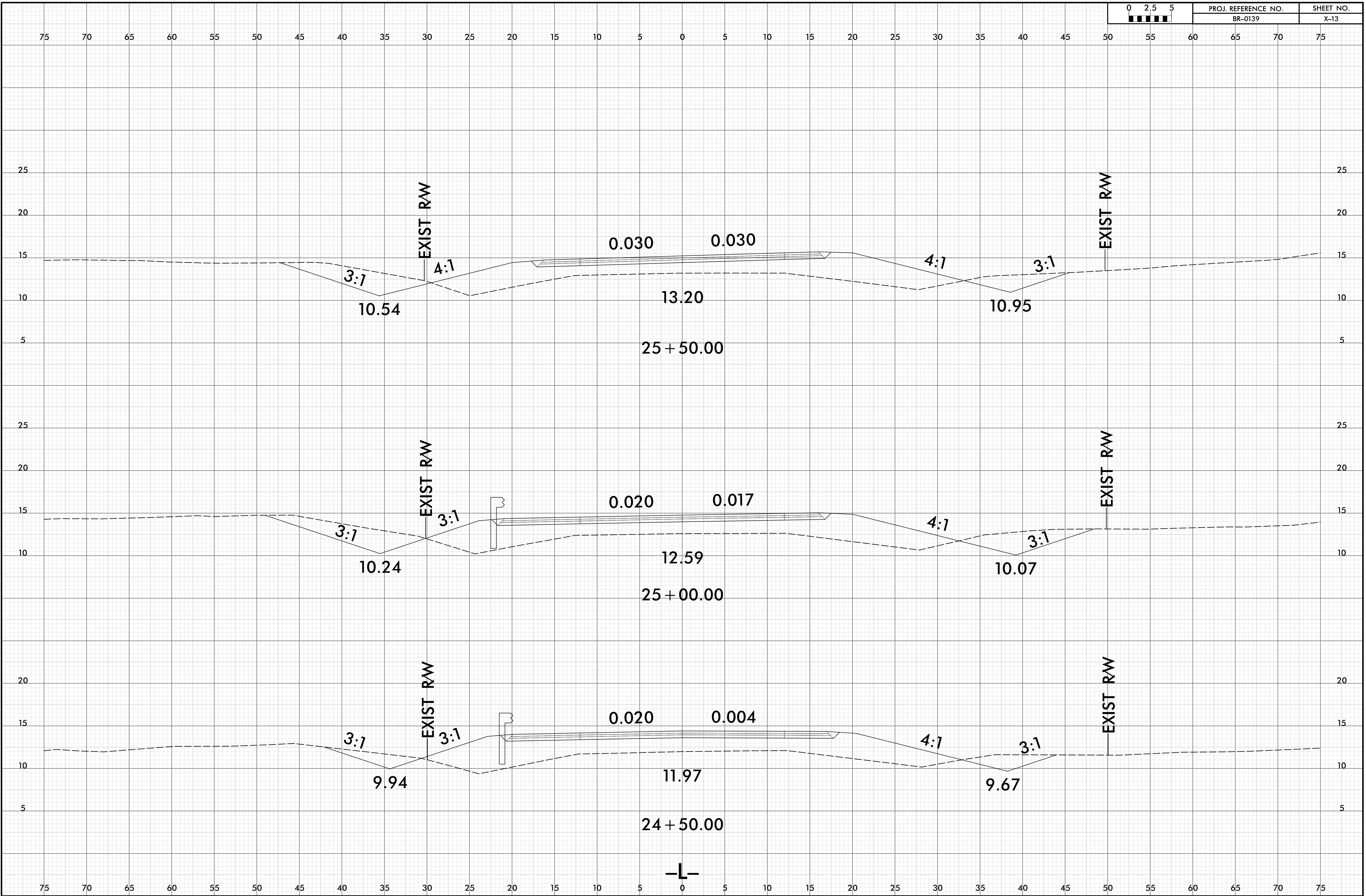


L

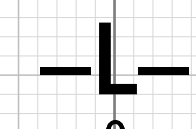
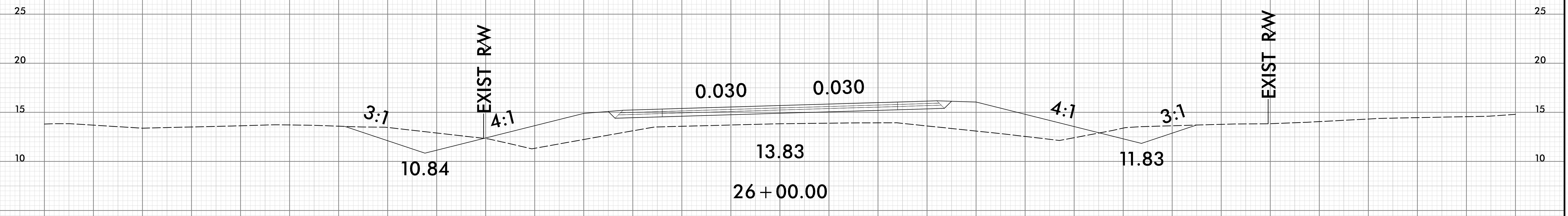
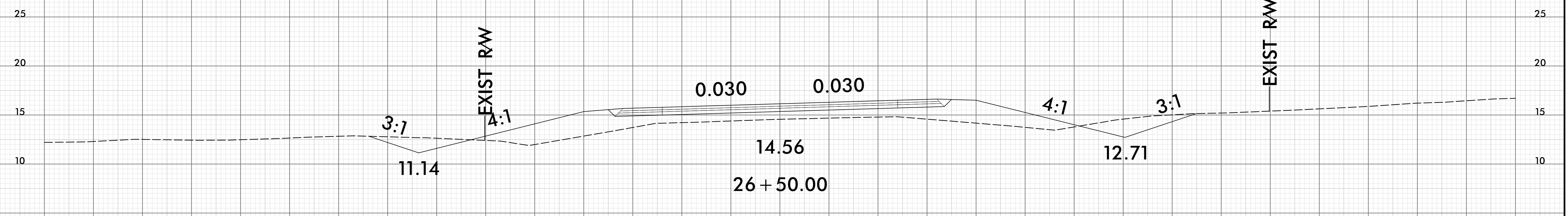
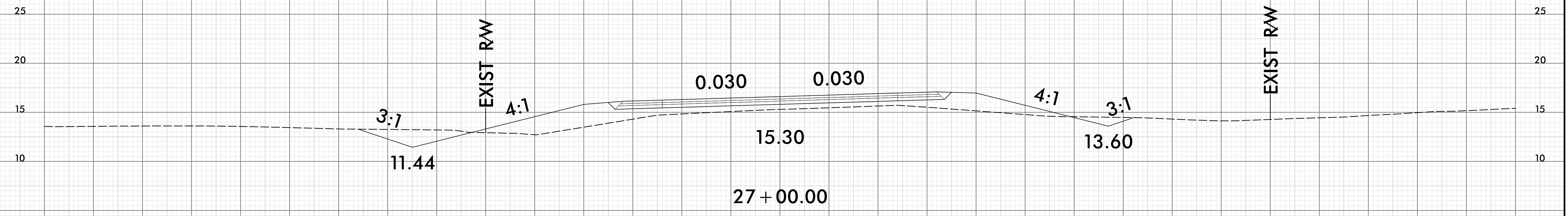
75 70 65 60 55 50 45 40 35 30 25 20 15 10 5 0 5 10 15 20 25 30 35 40 45 50 55 60 65 70 75

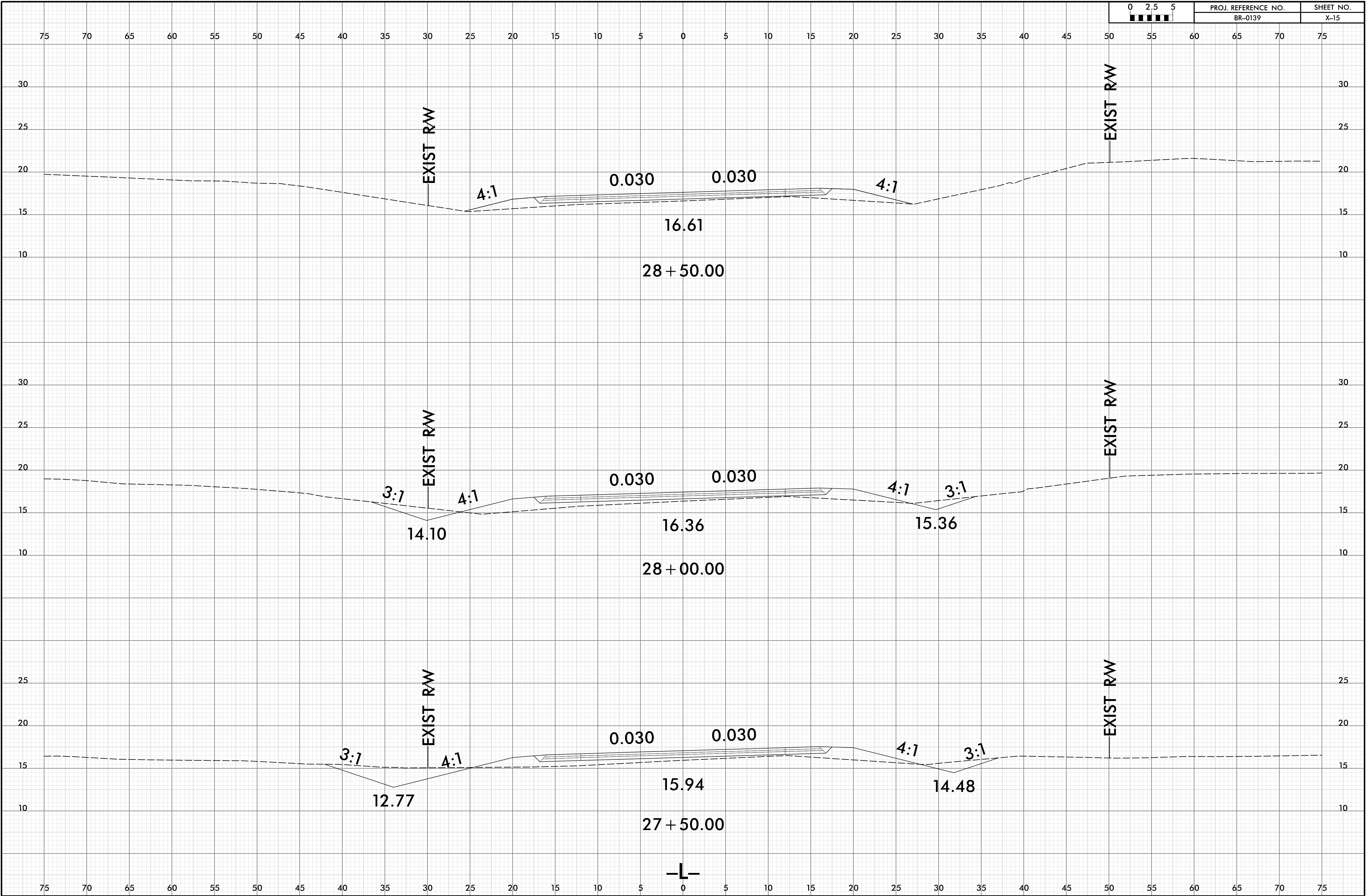


75 70 65 60 55 50 45 40 35 30 25 20 15 10 5 0 5 10 15 20 25 30 35 40 45 50 55 60 65 70 75



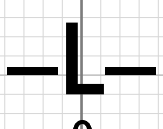
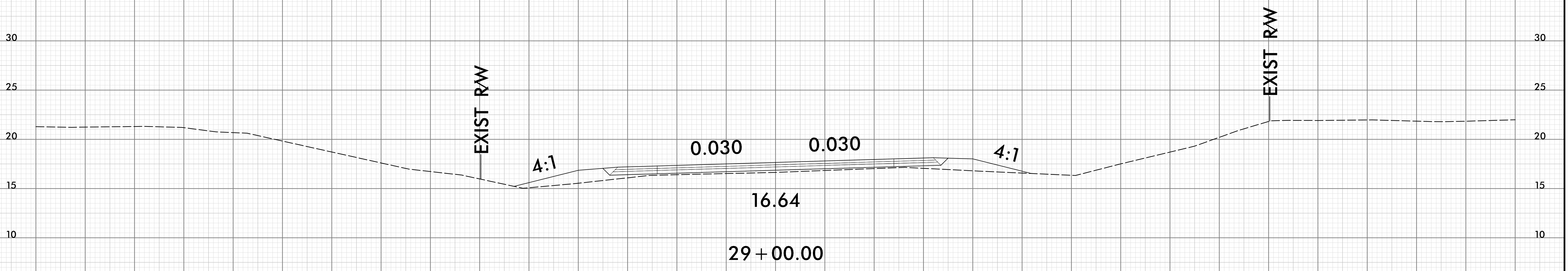
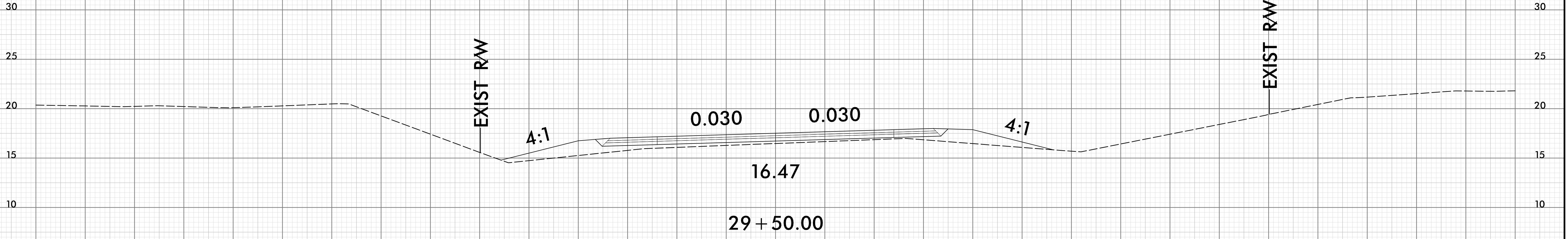
75 70 65 60 55 50 45 40 35 30 25 20 15 10 5 0 5 10 15 20 25 30 35 40 45 50 55 60 65 70 75

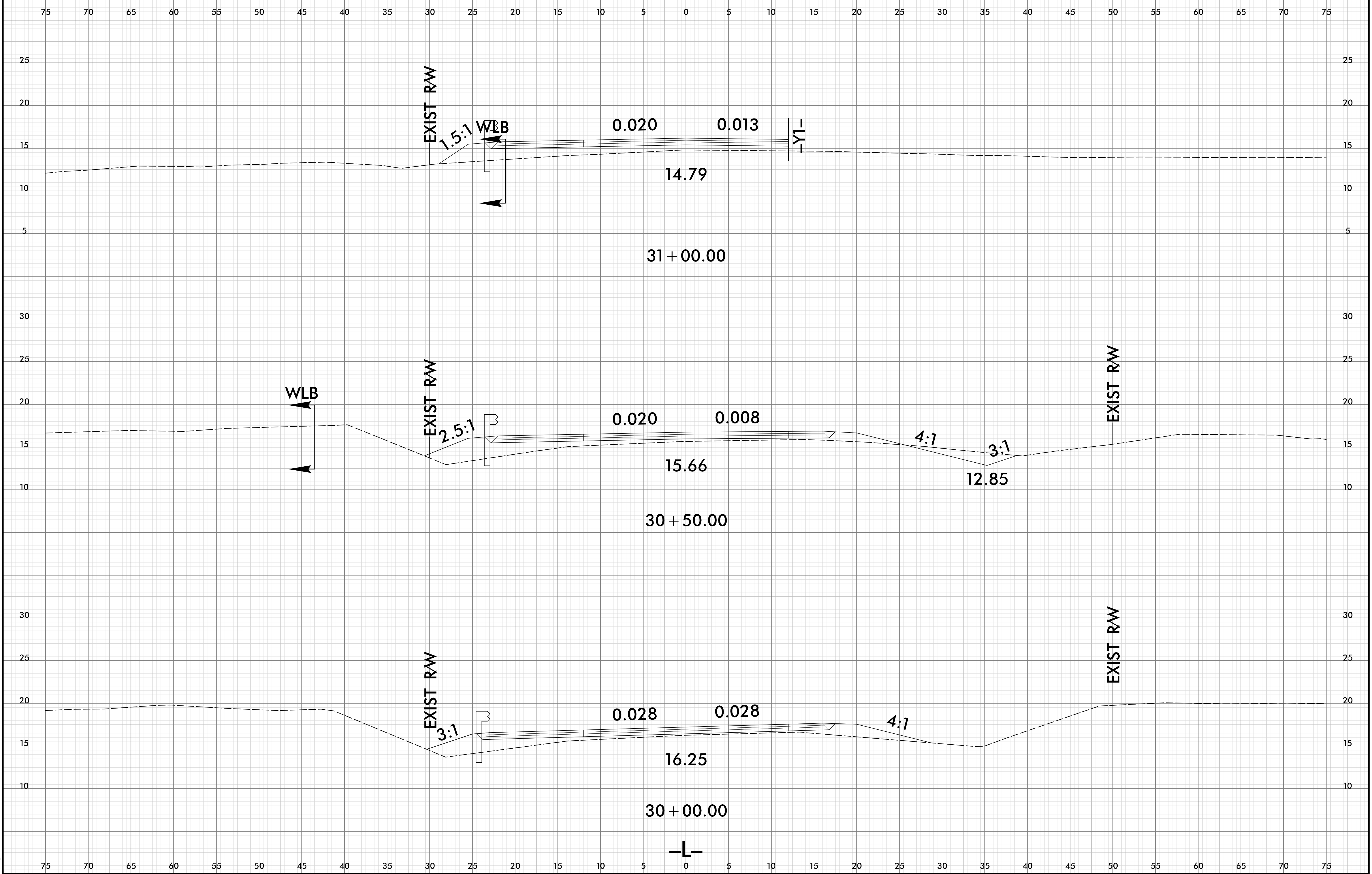


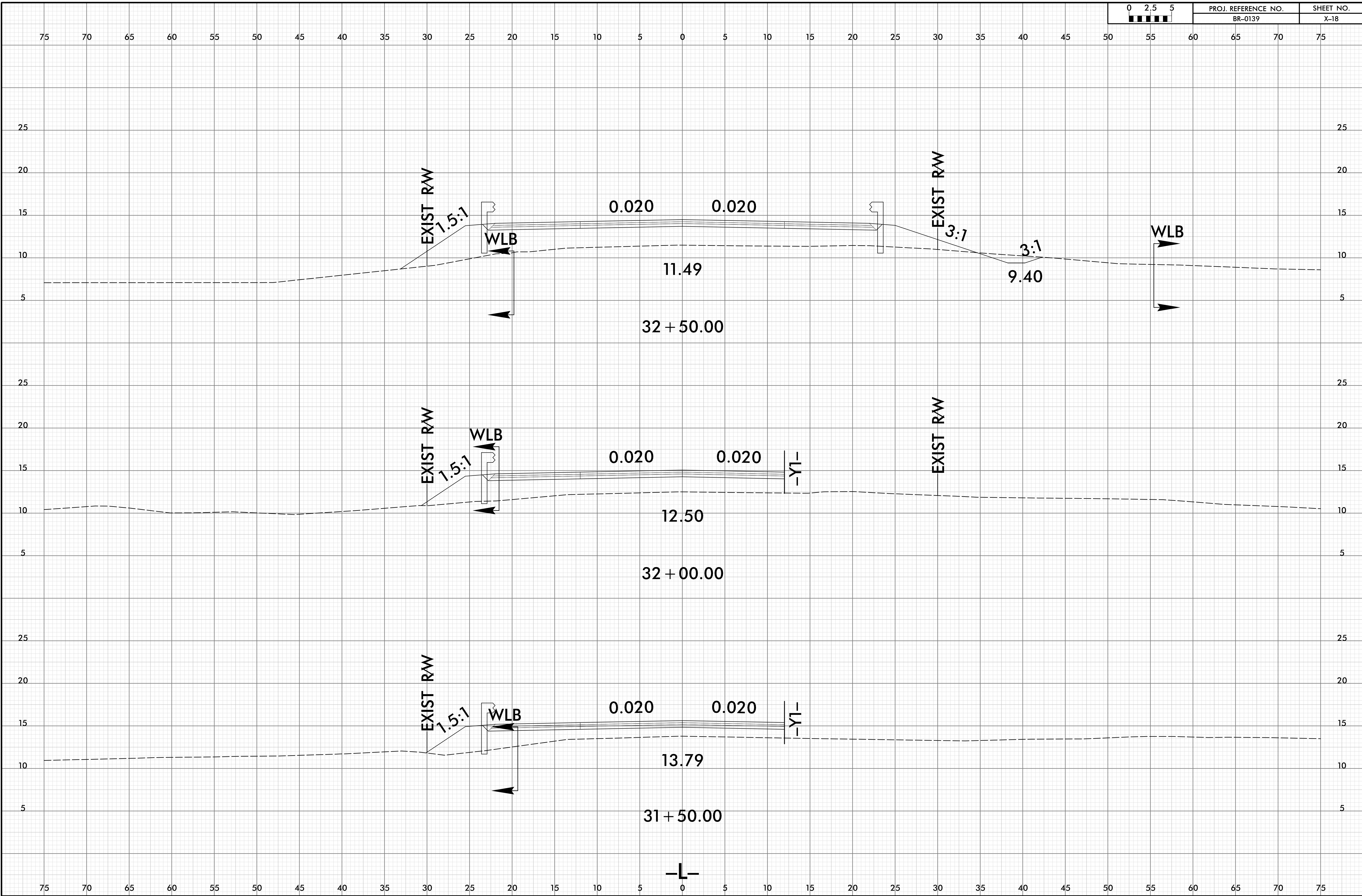


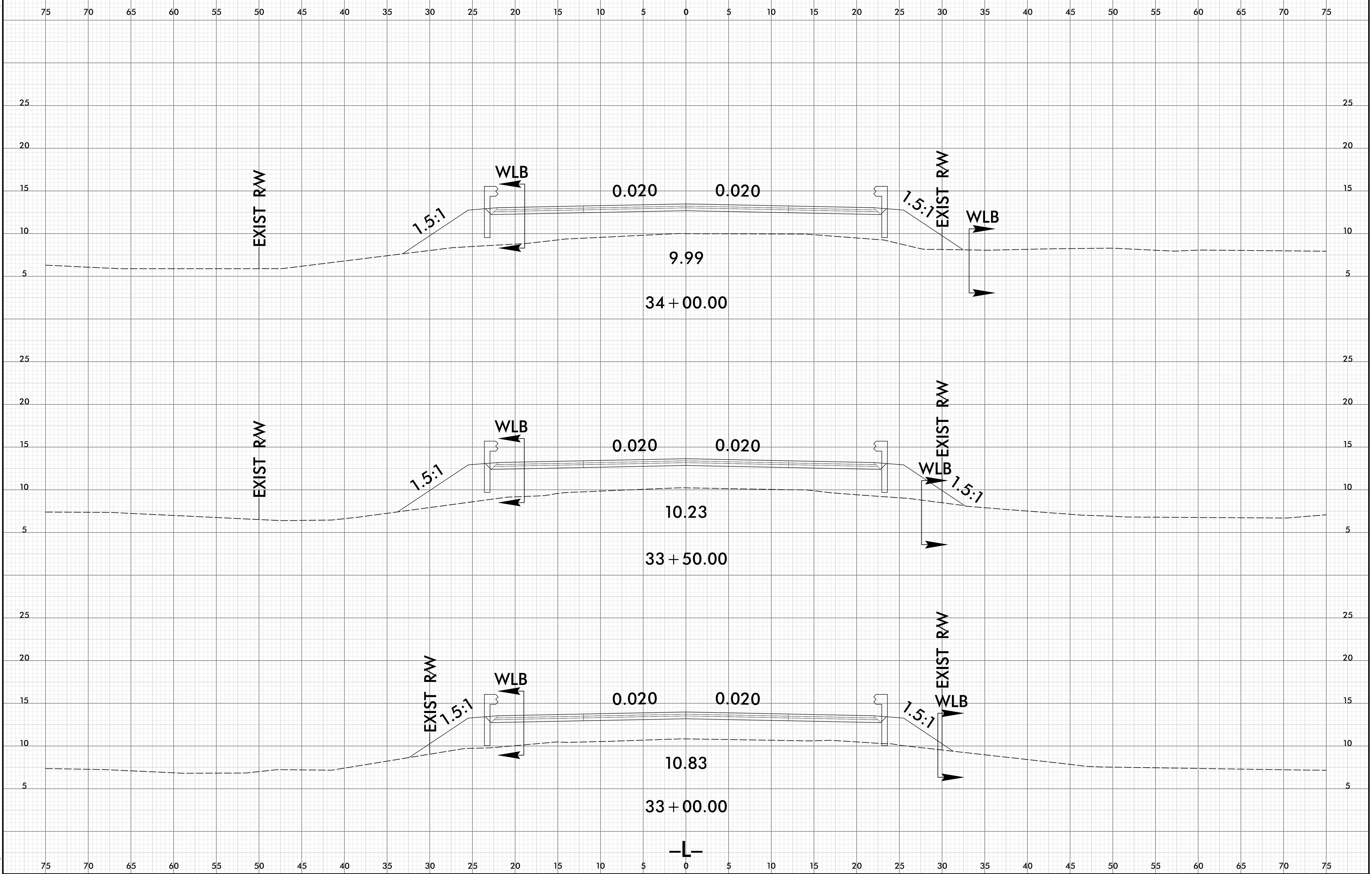


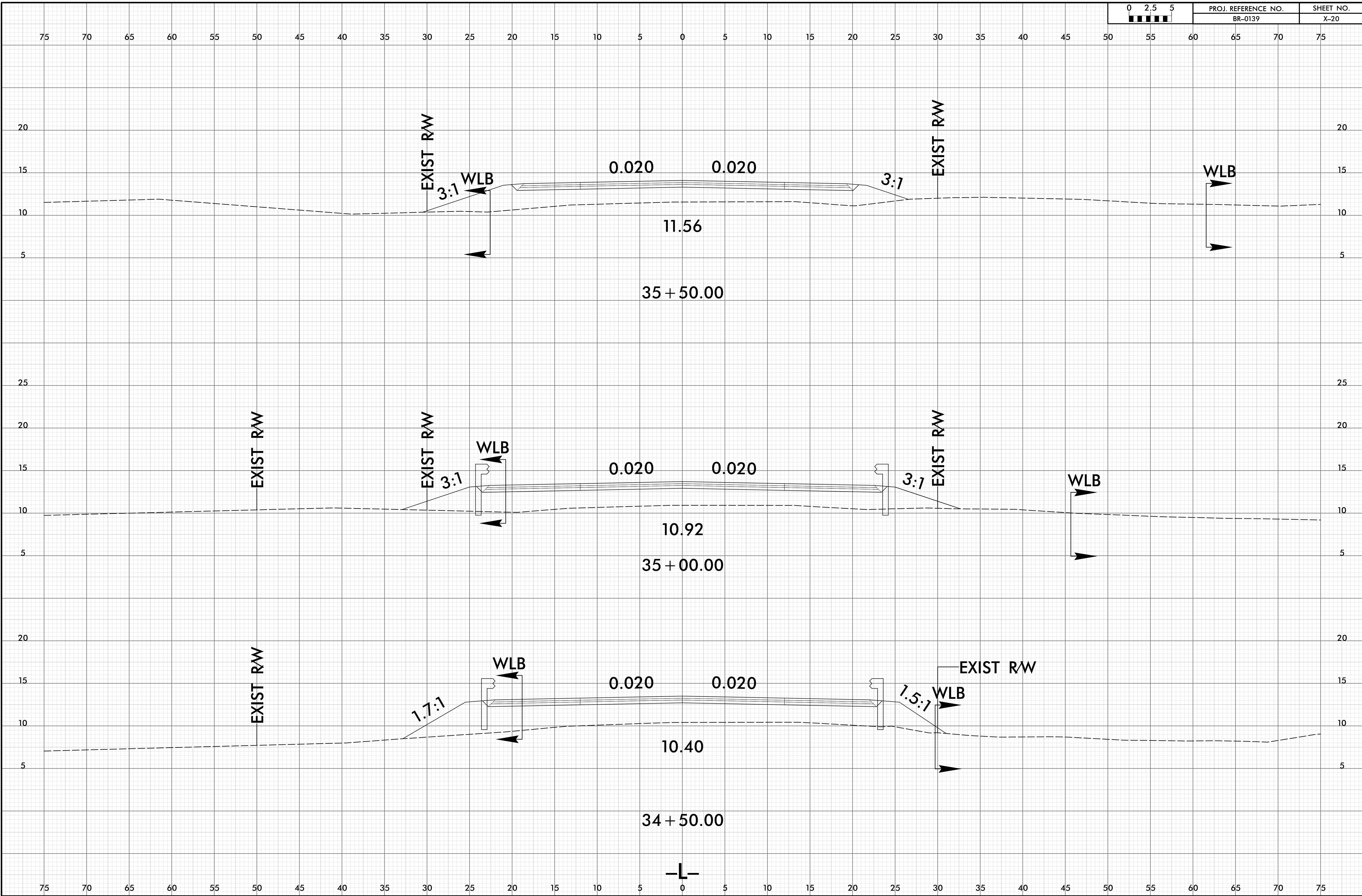
75 70 65 60 55 50 45 40 35 30 25 20 15 10 5 0 5 10 15 20 25 30 35 40 45 50 55 60 65 70 75

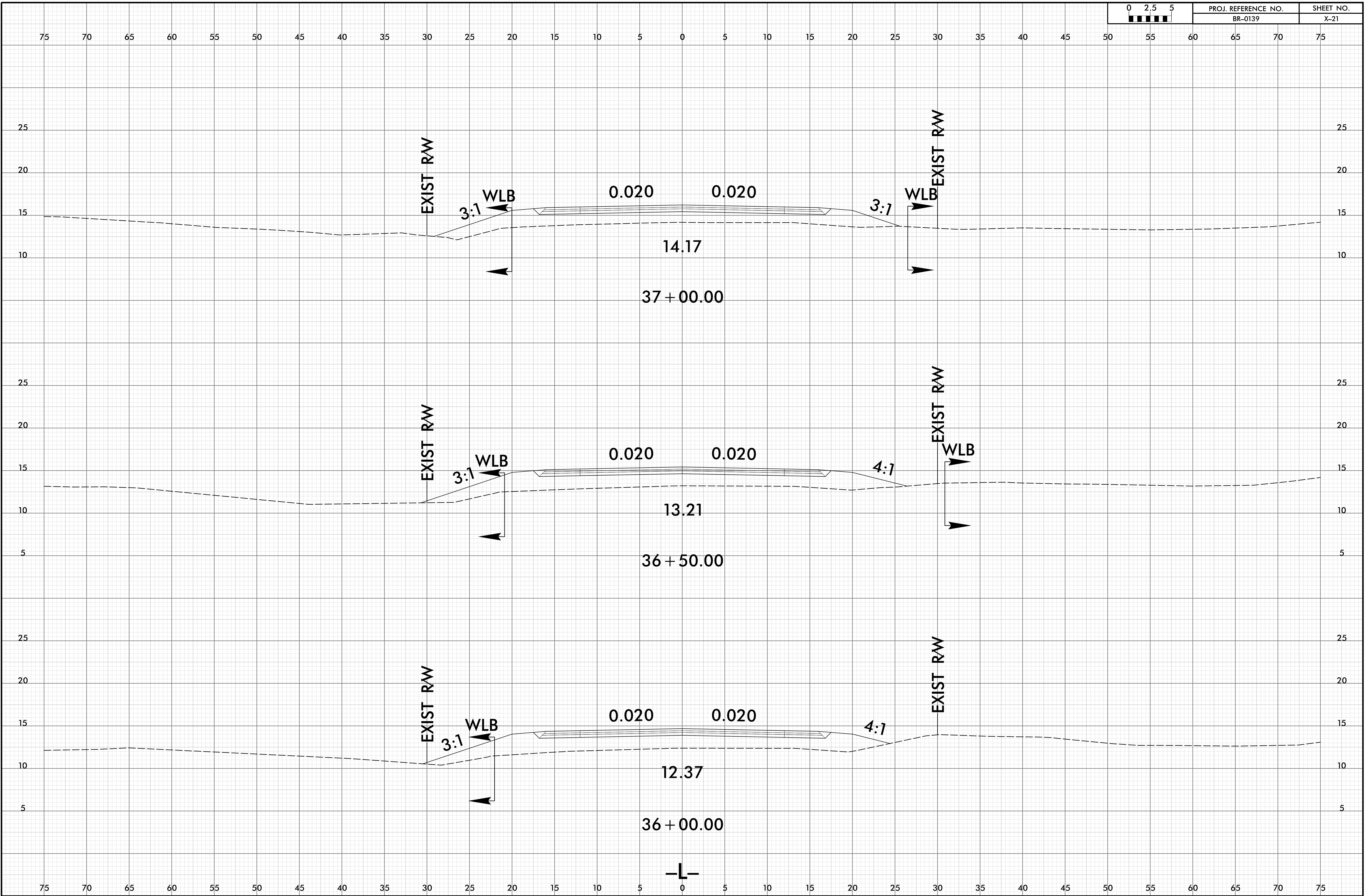


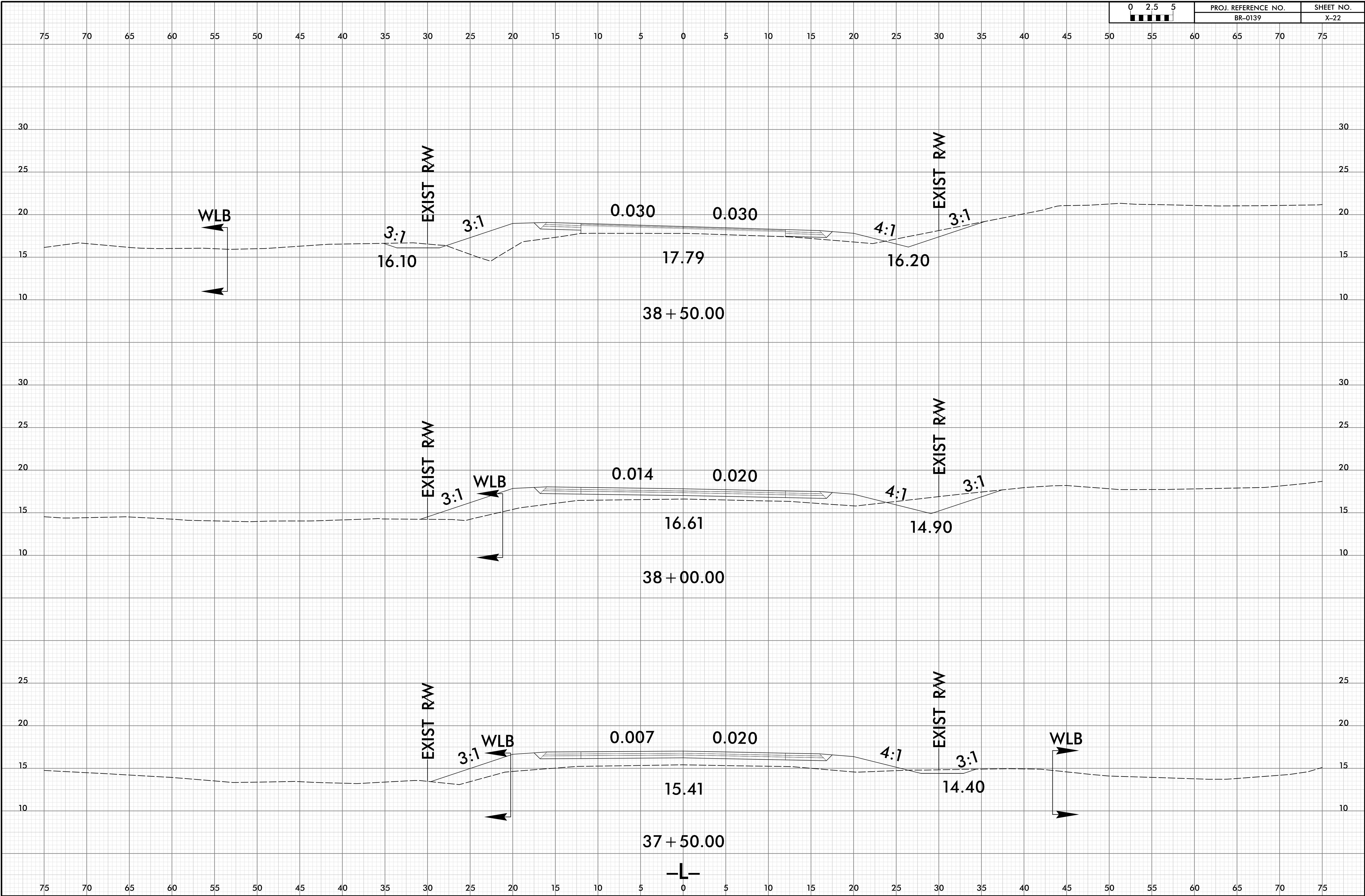


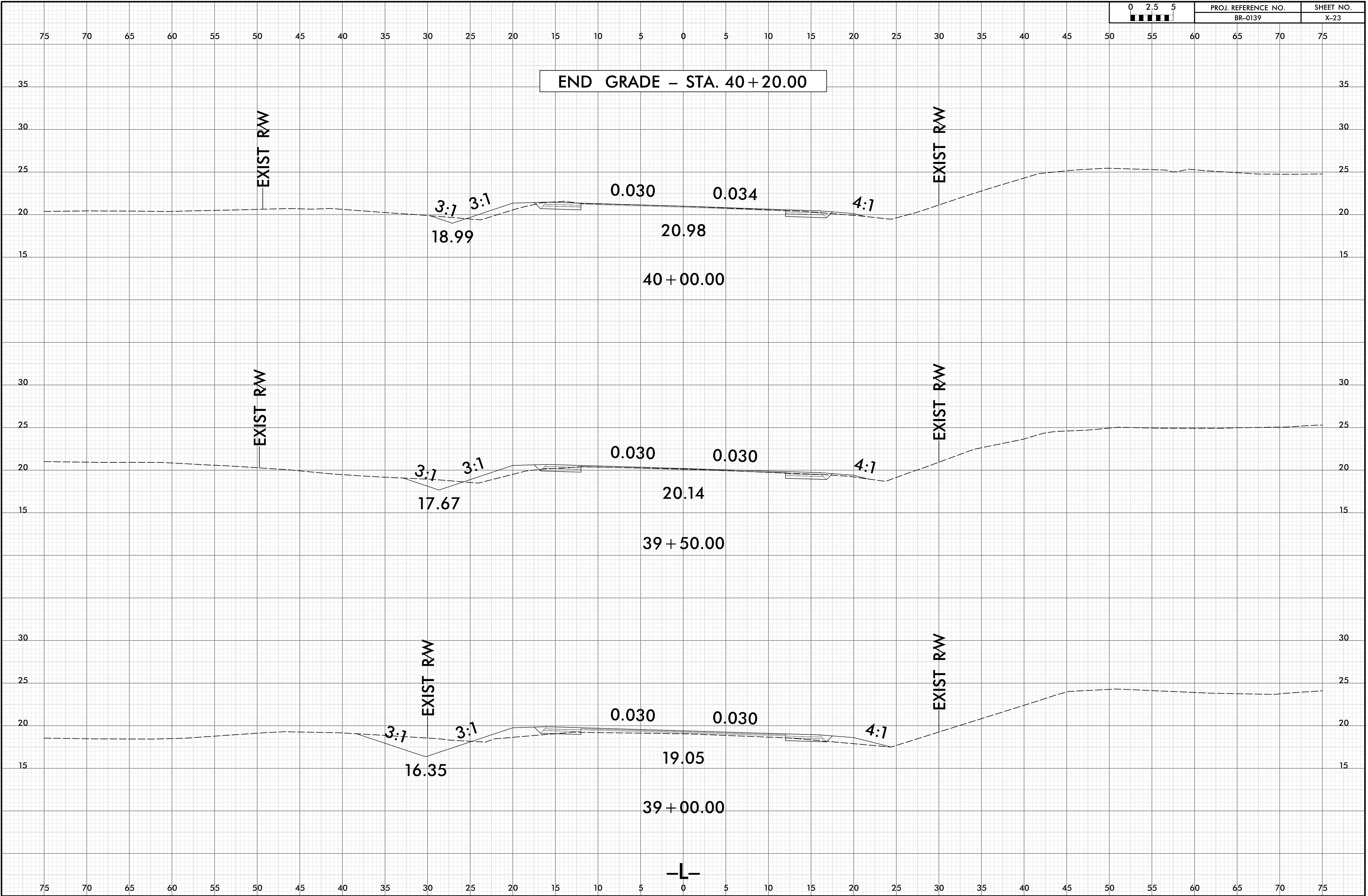




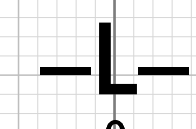




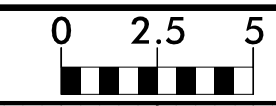




END GRADE - STA. 40+20.00







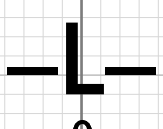
75 70 65 60 55 50 45 40 35 30 25 20 15 10 5 0 5 10 15 20 25 30 35 40 45 50



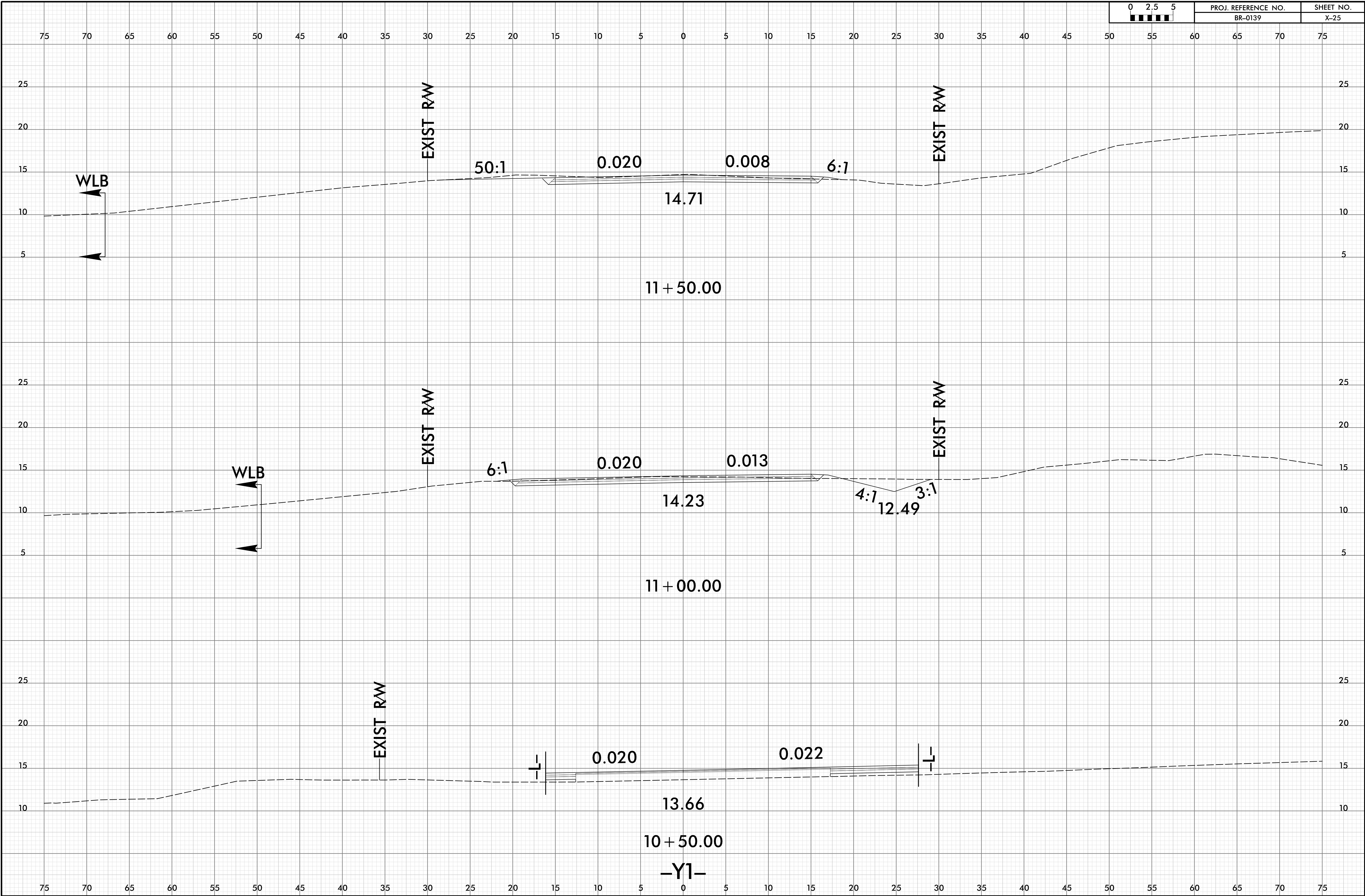
EXIST R/W

EXIST R/W

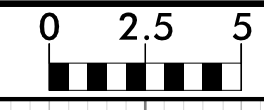
21.75  
40 + 50.00



75 70 65 60 55 50 45 40 35 30 25 20 15 10 5 0 5 10 15 20 25 30 35 40 45 50



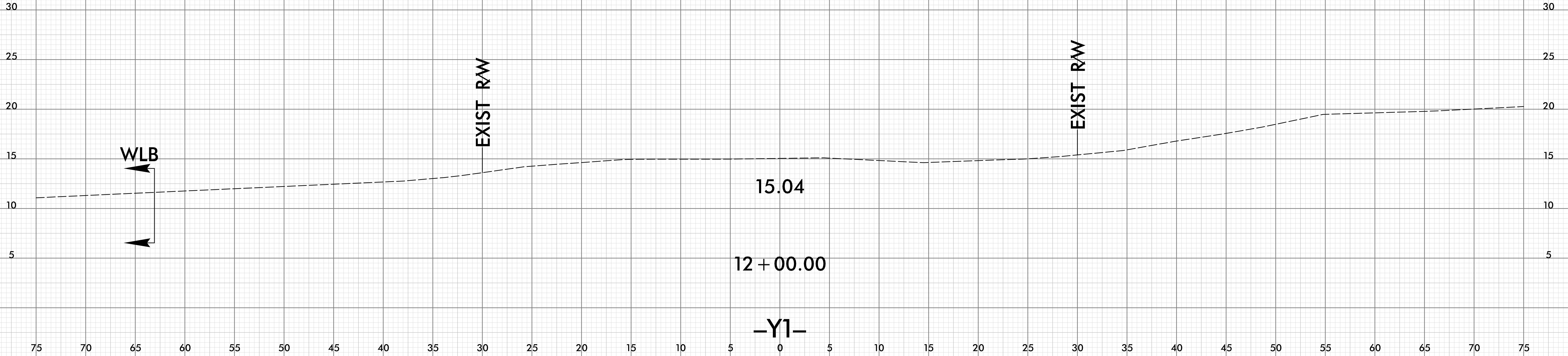
8/23/99



PROJ. REFERENCE NO.  
BR-0139

SHEET NO.  
X-26

75 70 65 60 55 50 45 40 35 30 25 20 15 10 5 0 5 10 15 20 25 30 35 40 45 50 55 60 65 70 75



21 MAY 2024 11:28  
H:\B\daway\CorridorModeling\BR0139\_r.dwg\_xp1\_Y1.dgn