

GEOTECHNICAL ENGINEER

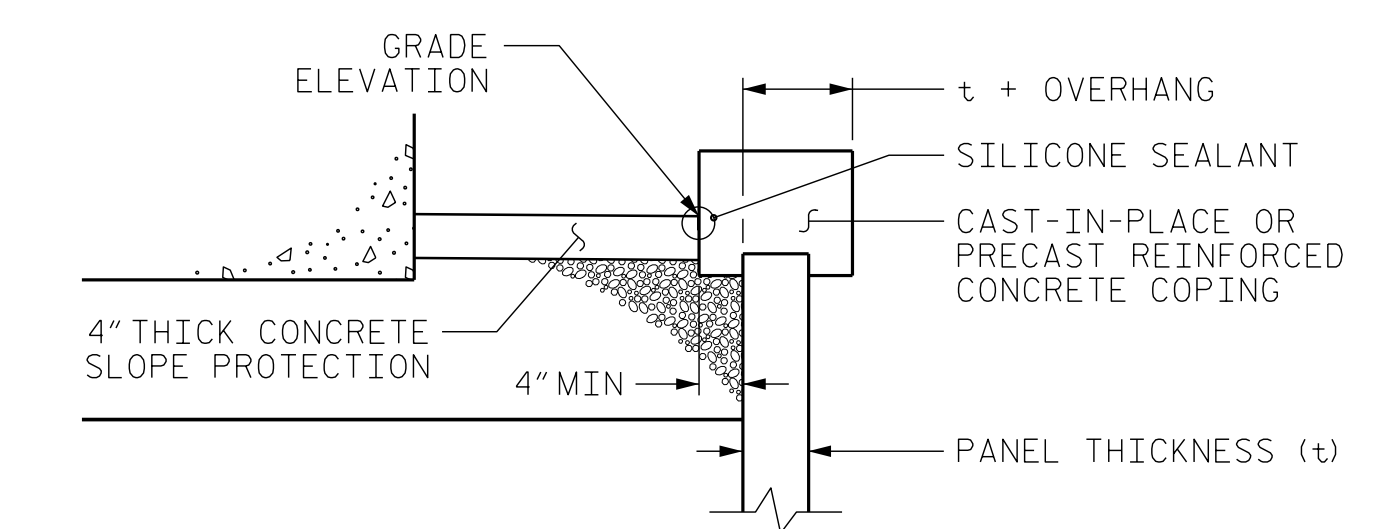
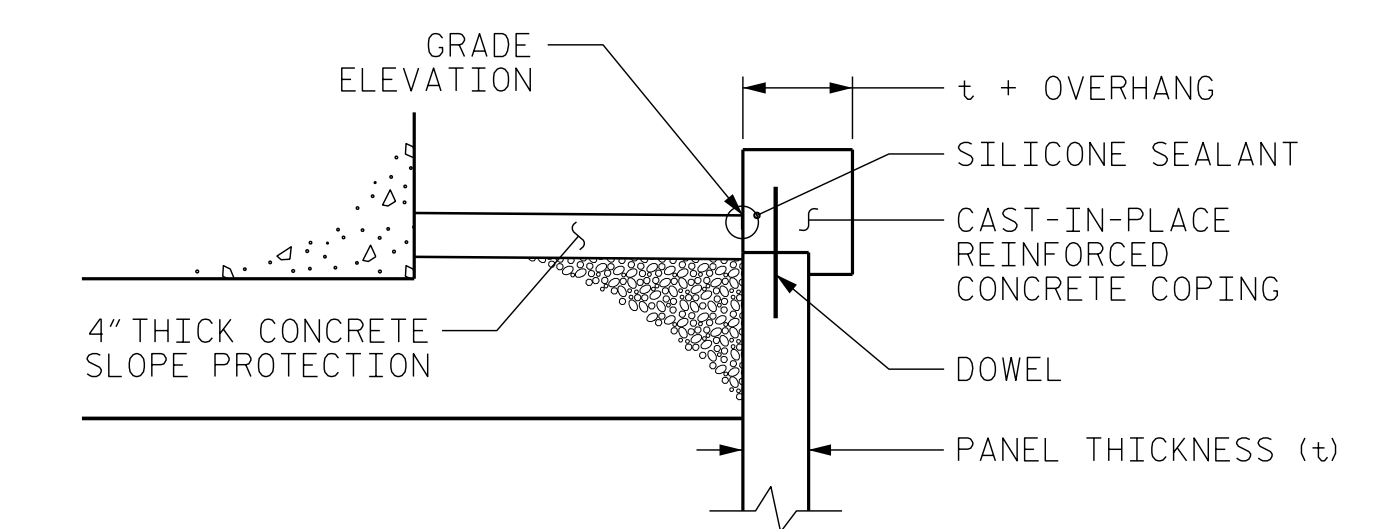
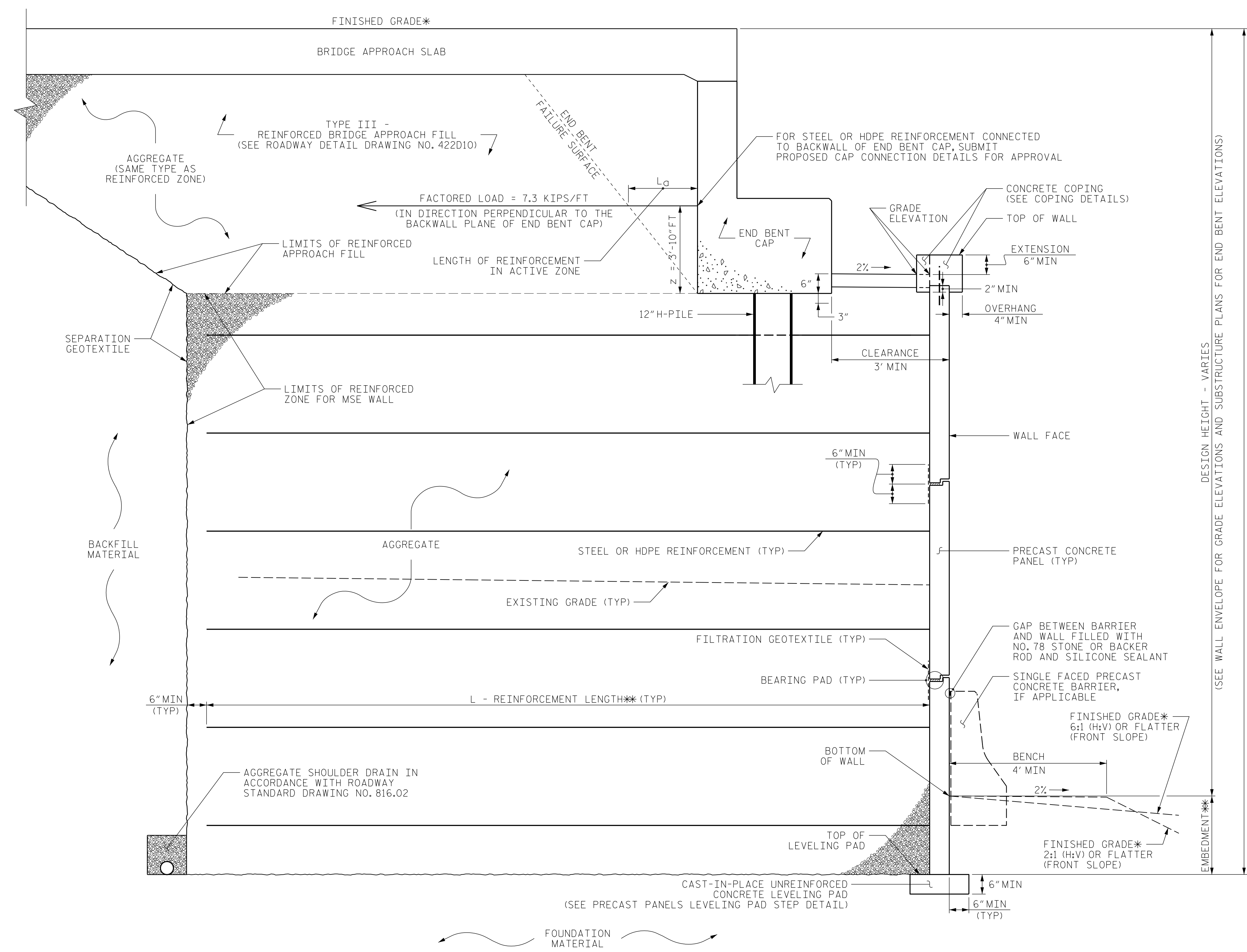
ENGINEER

SEAL 015741

DocuSigned by: *Xavier Barrett* 10/10/2023

DATE: 10/10/2023

DOCUMENT NOT CONSIDERED FINAL UNLESS ALL SIGNATURES COMPLETED



COPING DETAILS

AT THE CONTRACTOR'S OPTION, CONNECT COPING TO PANELS WITH DOWELS OR EXTEND COPING DOWN BACK OF PANELS.

MSE ABUTMENT WALL WITH PRECAST PANELS - TYPICAL SECTION

*SEE ROADWAY PLANS FOR FINISHED GRADE DETAILS.
 **SEE MSE RETAINING WALLS PROVISION AND IF APPLICABLE, MSE WALL NOTES FOR EMBEDMENT AND REINFORCEMENT LENGTH REQUIREMENTS.

PROJECT NO.: U-5813
 RANDOLPH COUNTY
 STATION: 21+94.17 -Y-
 SHEET 4 OF 5

PREPARED BY: C. DRISCOLL DATE: 04/20
 REVIEWED BY: T. WELLS DATE: 05/20

Prepared in the Office of:

KLEINFELDER
 Bright People. Right Solutions.

422 GALLIMORE DAIRY RD, SUITE B
 GREENSBORO, NC 27409
 NC FIRM LICENSE NO. F-1312

NORTH CAROLINA
 DEPARTMENT OF TRANSPORTATION
 DIVISION OF HIGHWAYS

GEOTECHNICAL
 ENGINEERING UNIT

MSE RETAINING WALL TYPICAL SECTION

REVISIONS						SHEET NO.
NO.	BY	DATE	NO.	BY	DATE	
1			3			W-4
2			4			