

BEGIN CONSTRUCTION
-Y2- STA 10+70.00

IN LIEU OF ROCK INLET SEDIMENT TRAP TYPE C,
UTILIZE FABRIC INSERT INLET PROTECTION
DEVICES IN AREAS WHERE WATER MAY
POND ON ROAD OPEN TO LIVE TRAFFIC.

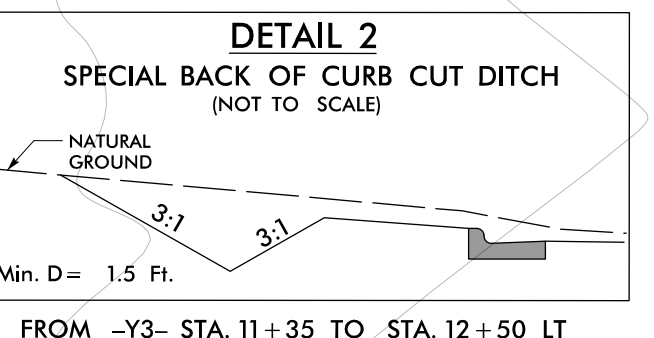
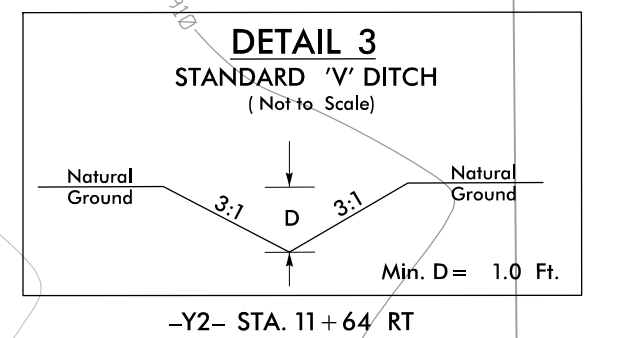
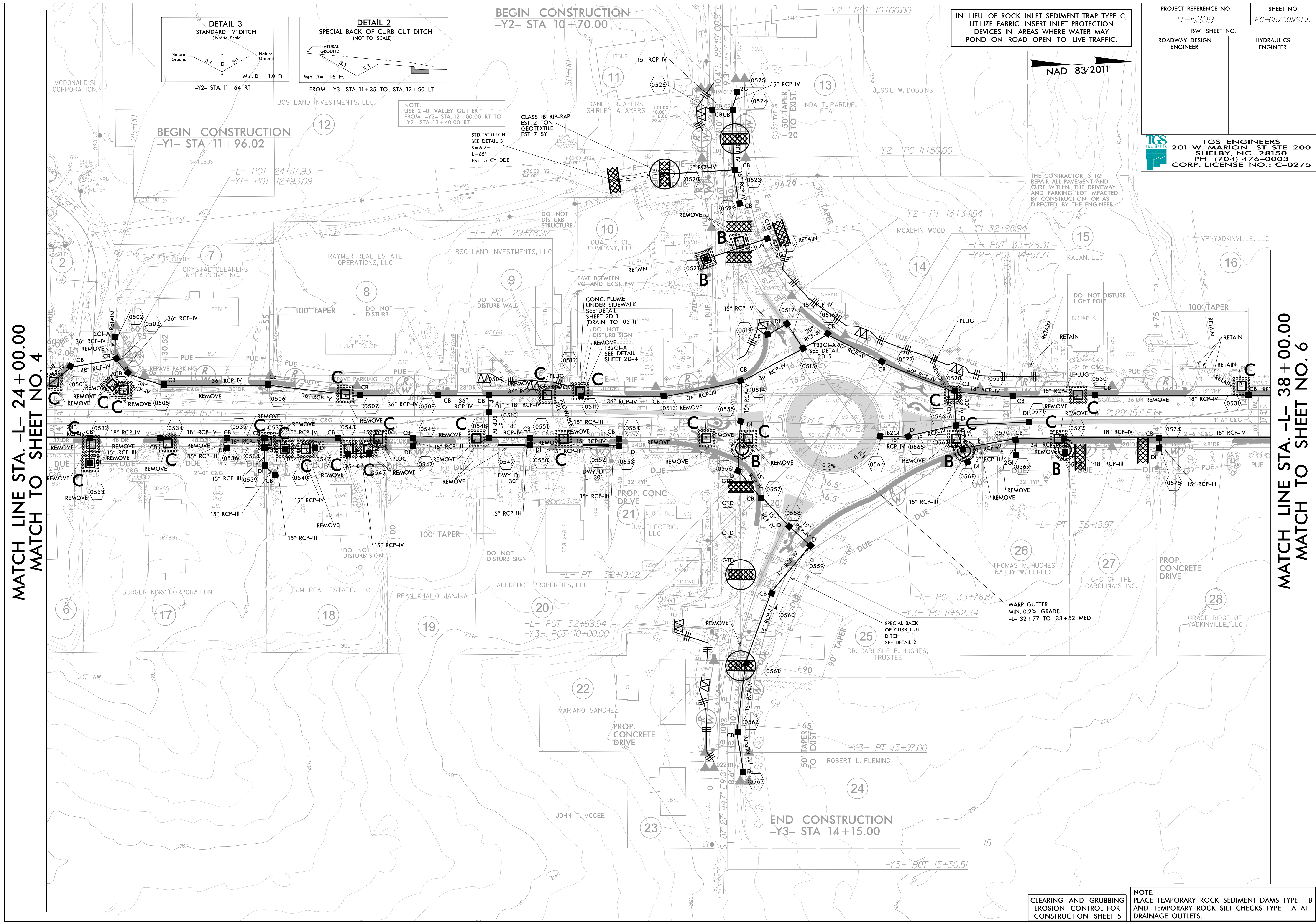
PROJECT REFERENCE NO. U-5809	SHEET NO. EC-05/CONST.5
RW SHEET NO.	
ROADWAY DESIGN ENGINEER	HYDRAULICS ENGINEER

TGS ENGINEERS
201 W. MARION ST. STE 200
SHELBY, NC 28150
PH (704) 476-0003
CORP. LICENSE NO.: C-0275

NAD 83/2011

MATCH LINE STA. -L- 24+00.00
MATCH TO SHEET NO. 4

MATCH LINE STA. -L- 38+00.00
MATCH TO SHEET NO. 6



NOTE:
USE 2'-0" VALLEY GUTTER
FROM -Y2- STA. 12+00.00 RT TO
-Y2- STA. 13+40.00 RT

STD. 'V' DITCH
SEE DETAIL 3
S = 6.2%
L = 65'
EST 15 CY DDE

CLASS 'B' RIP-RAP
EST. 2 TON
GEOTEXTILE
EST. 7 SY

CONC. FLUME
UNDER SIDEWALK
SEE DETAIL
SHEET 2D-1
(DRAIN TO 0511)

WARP GUTTER
MIN. 0.2% GRADE
-L- 32+77 TO 33+52 MED

NOTE:
PLACE TEMPORARY ROCK SEDIMENT DAMS TYPE - B
AND TEMPORARY ROCK SILT CHECKS TYPE - A AT
DRAINAGE OUTLETS.