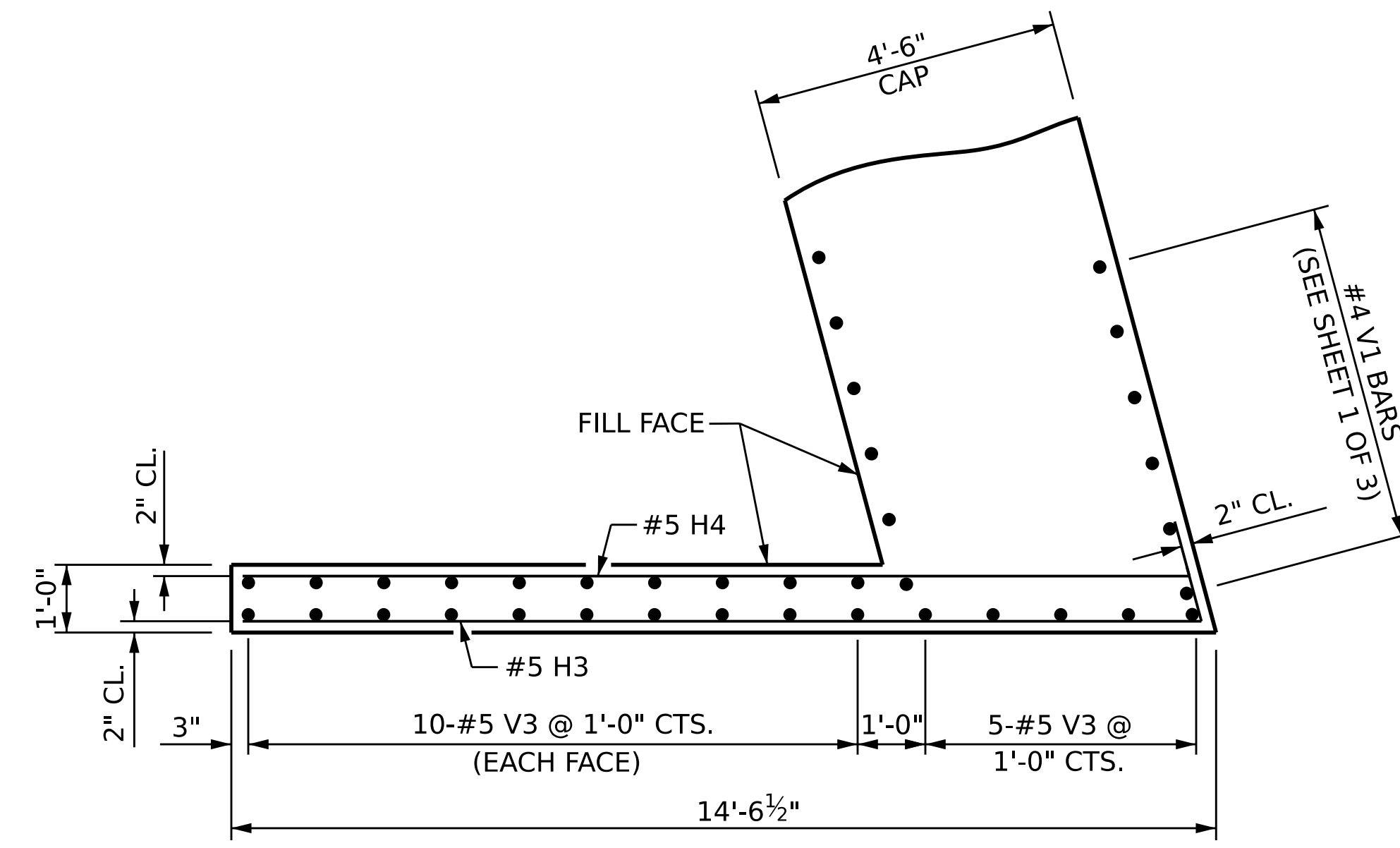
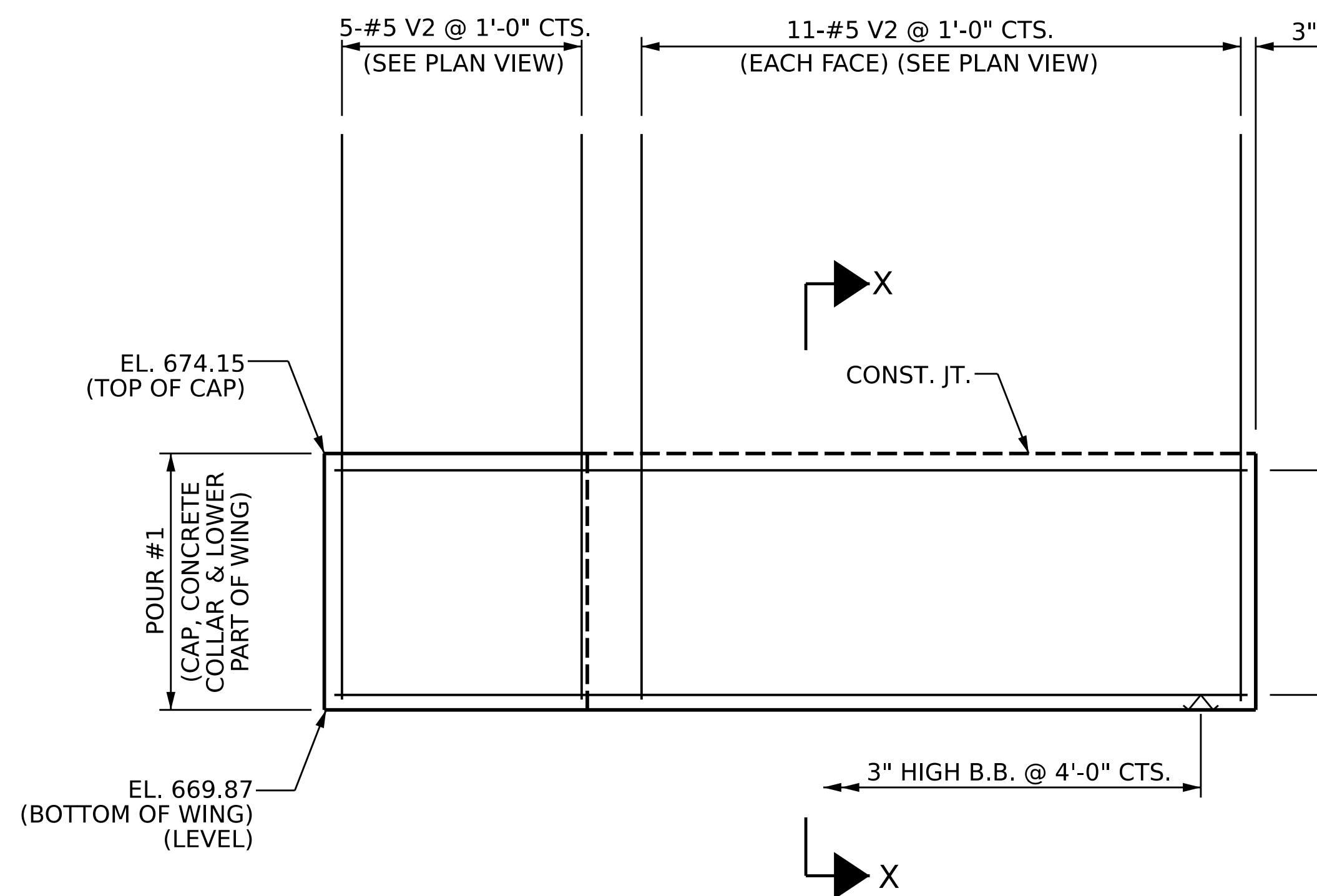


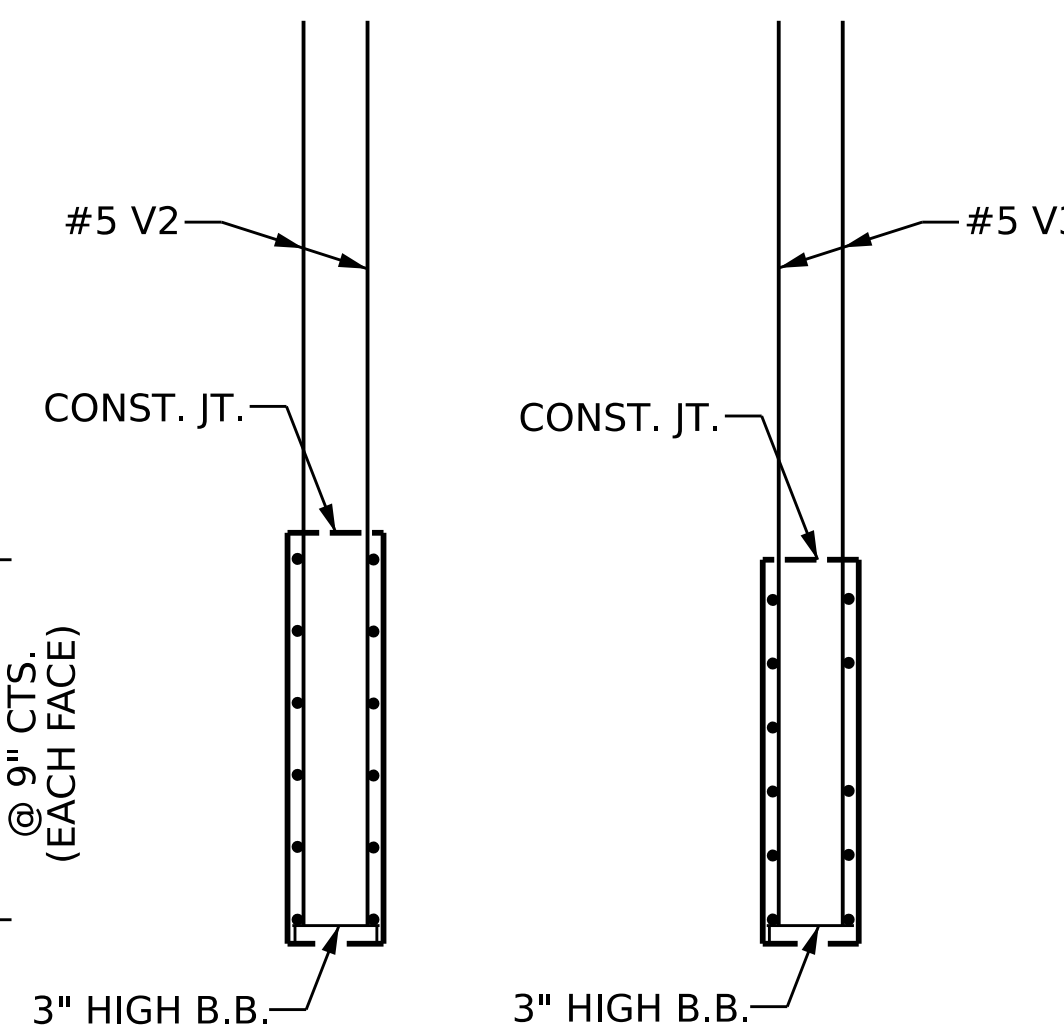
PLAN OF WING W1



PLAN OF WING W2

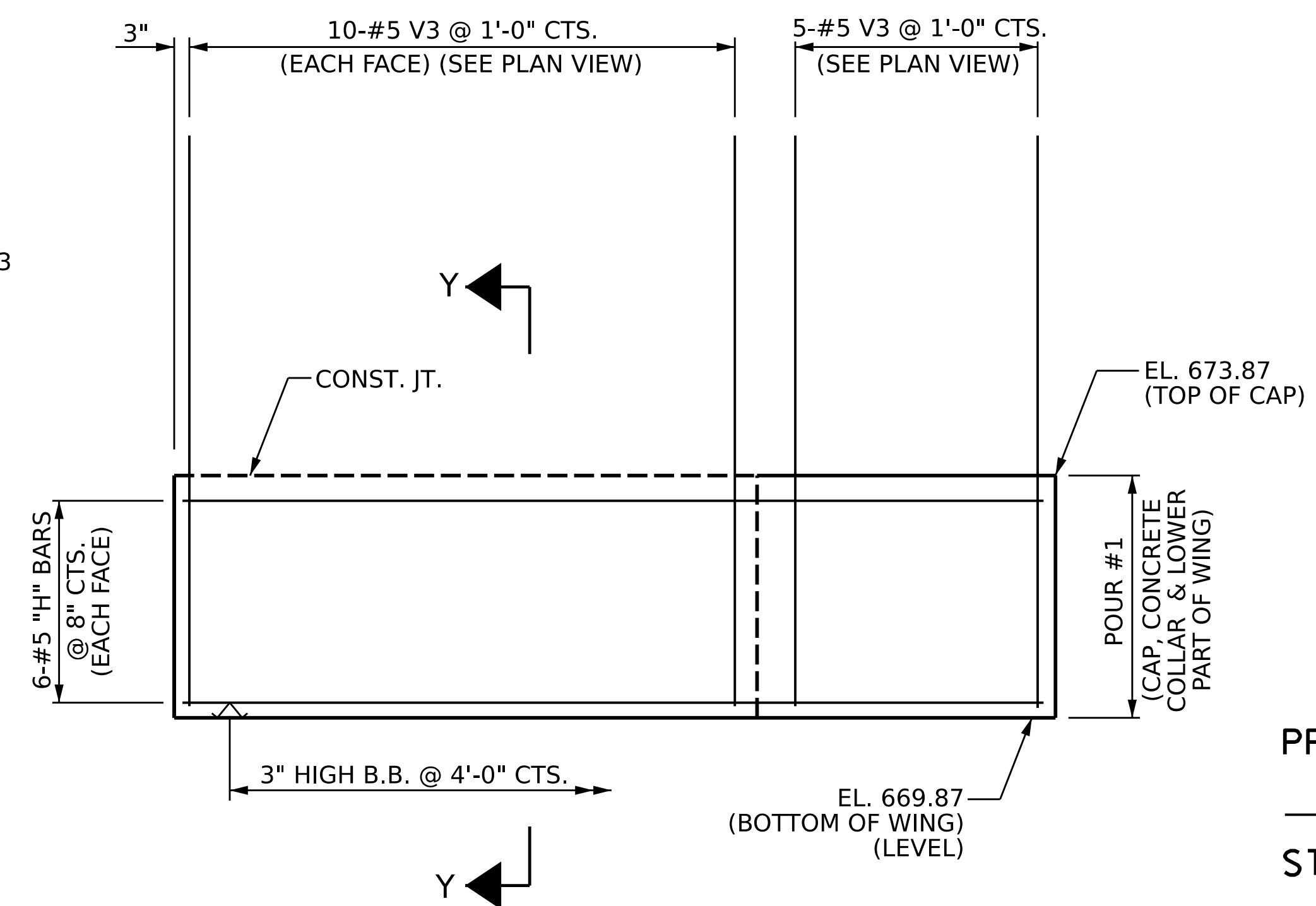


ELEVATION OF WING W1



SECTION X-X

SECTION Y-Y



ELEVATION OF WING W2

PROJECT NO. BR-0093  
 ROCKINGHAM COUNTY  
 STATION: 17+85.52 -L-

SHEET 2 OF 3

STATE OF NORTH CAROLINA  
 DEPARTMENT OF TRANSPORTATION  
 RALEIGH  
 SUBSTRUCTURE  
 END BENT 1  
 INTEGRAL



Designed by  
 Francesca Lea  
 05/01/2024

DRAWN BY: E. BAYISSA / Q.T. NGUYEN DATE: 11/2023  
 CHECKED BY: F. LEA DATE: 11/2023  
 DESIGN ENGINEER OF RECORD: E. BAYISSA DATE: 09/2023

DOCUMENT NOT CONSIDERED  
 FINAL UNLESS ALL  
 SIGNATURES COMPLETED

REVISIONS						SHEET NO.
NO.	BY:	DATE:	NO.	BY:	DATE:	S-26
1			3			TOTAL SHEETS
2			4			36