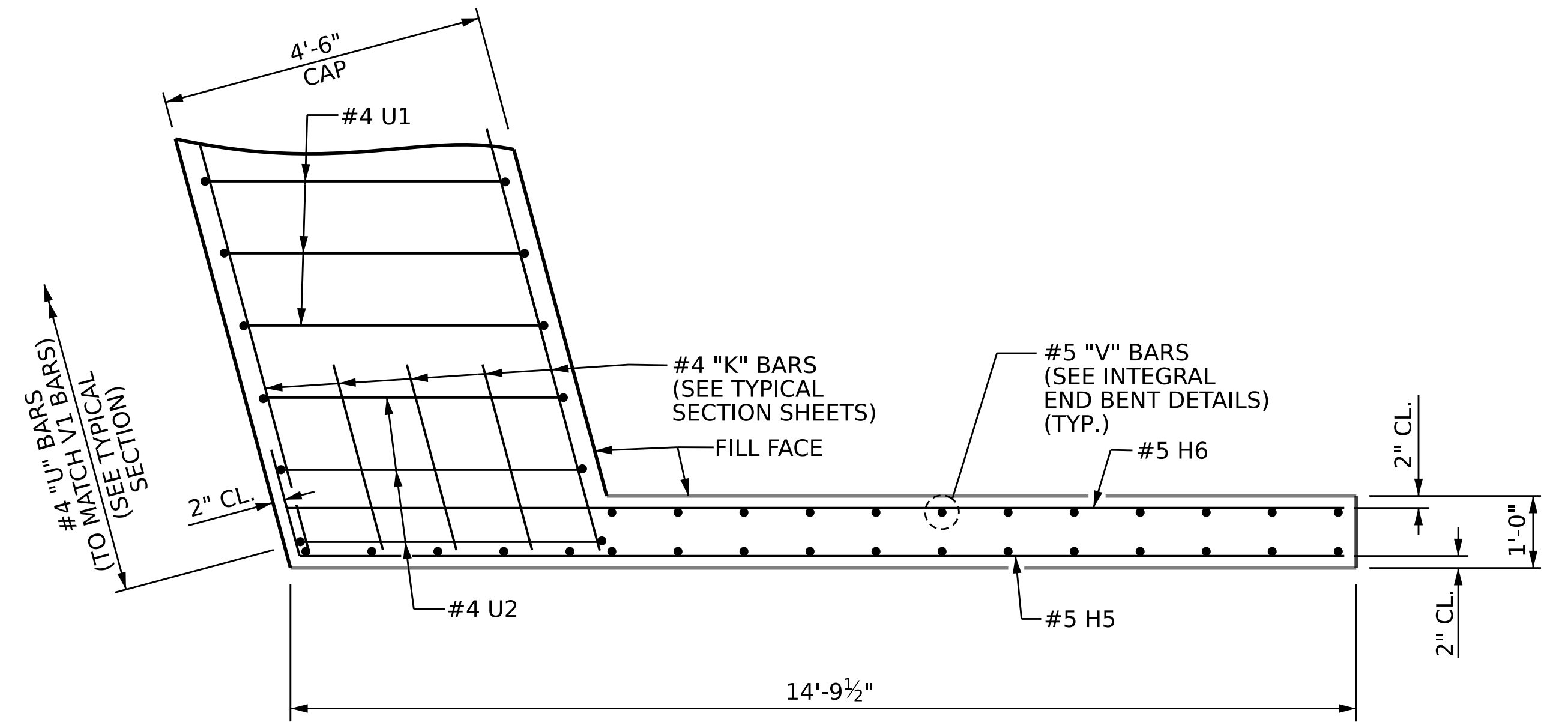
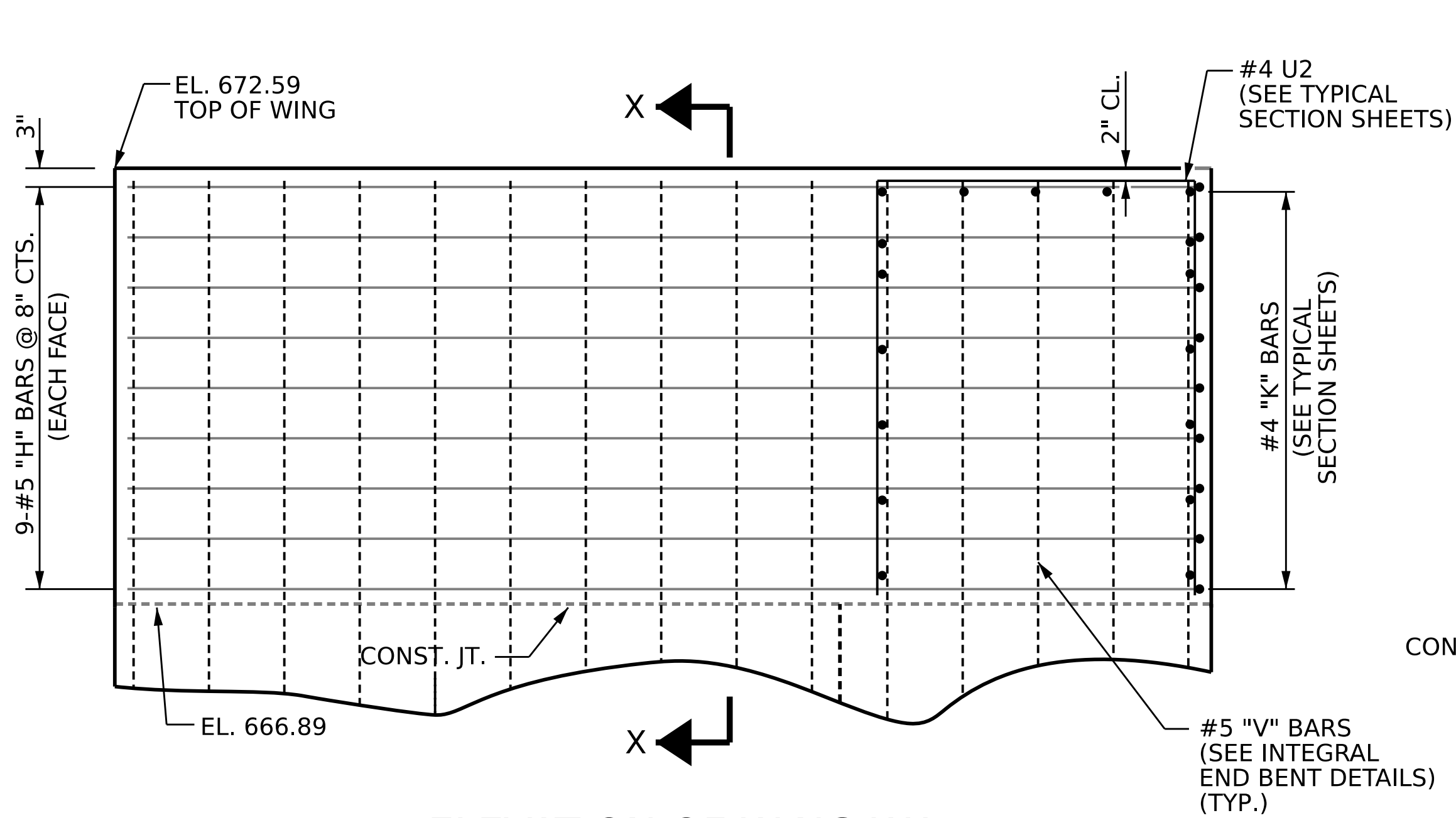


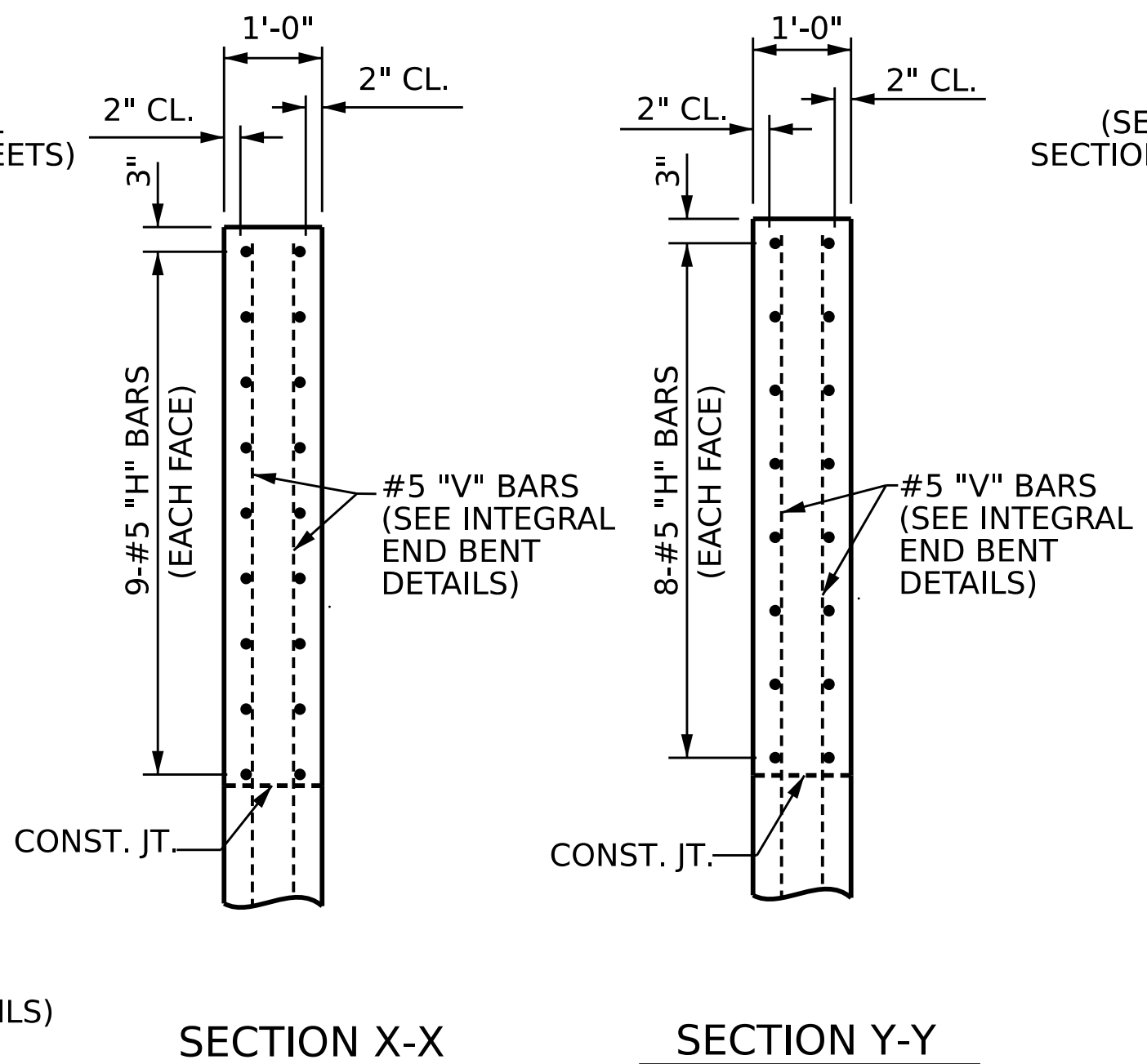
PLAN OF WING W1



PLAN OF WING W2

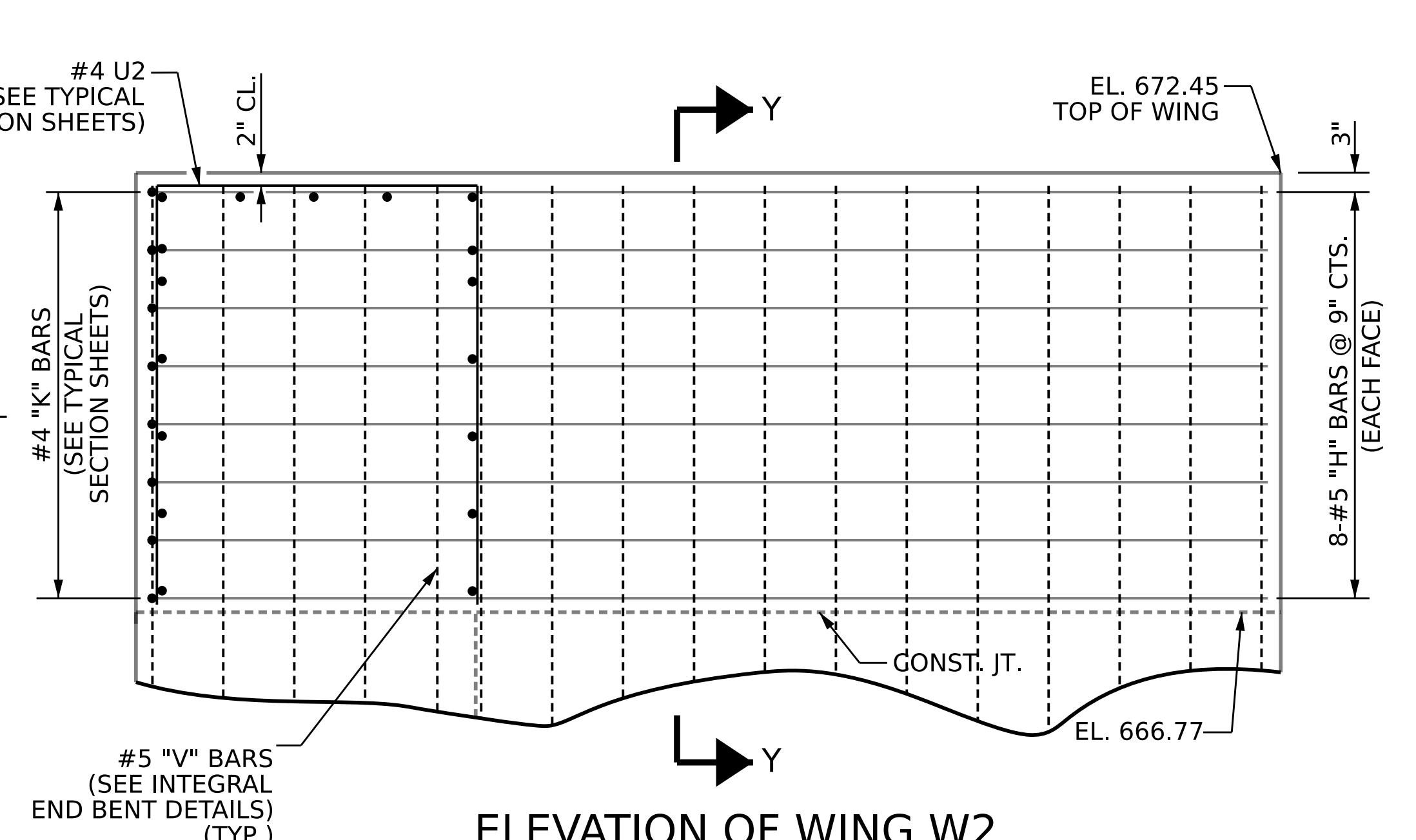


ELEVATION OF WING W1



SECTION X-X

SECTION Y-Y



ELEVATION OF WING W2

UPPER WINGS AT INTEGRAL END BENT 2

FOR LOWER WING REINFORCING STEEL AND DETAILS, SEE "INTEGRAL END BENT 2" SHEETS

PROJECT NO. BR-0093

ROCKINGHAM COUNTY

STATION: 17+85.52 -L-

SHEET 5 OF 5



Documented by:  
Francesca Lea  
05/01/2024

STATE OF NORTH CAROLINA  
DEPARTMENT OF TRANSPORTATION  
RALEIGH  
SUPERSTRUCTURE  
PLAN OF SPANS  
DETAILS AT END BENT 2

DRAWN BY: Q. T. NGUYEN DATE: 10/2023  
CHECKED BY: ZIA MALIK DATE: 12/2023  
DESIGN ENGINEER OF RECORD: E. BAYISSA DATE: 09/2023

DOCUMENT NOT CONSIDERED  
FINAL UNLESS ALL  
SIGNATURES COMPLETED

REVISIONS						SHEET NO.
NO.	BY:	DATE:	NO.	BY:	DATE:	S-12
1			3			TOTAL SHEETS
2			4			36