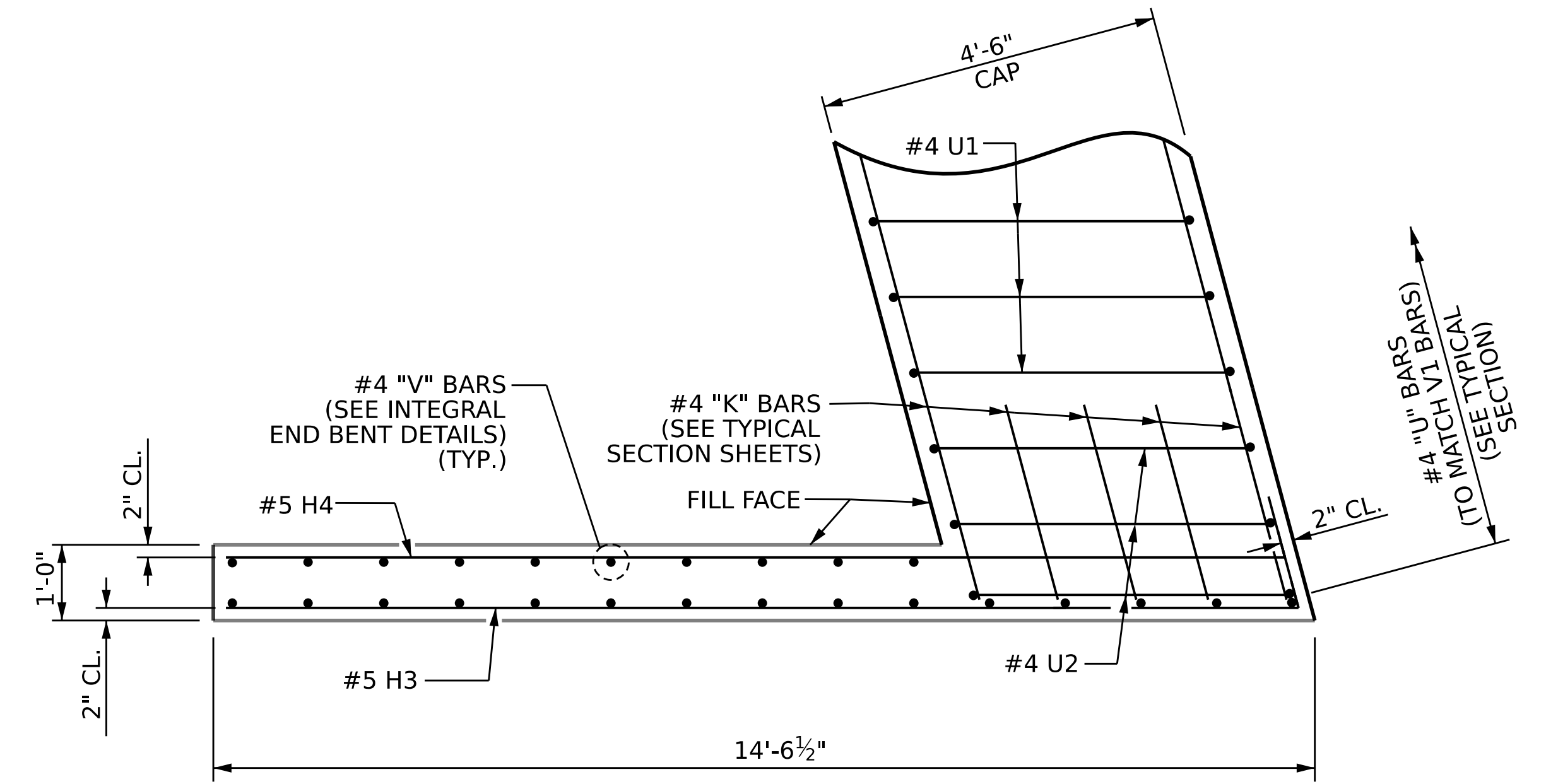
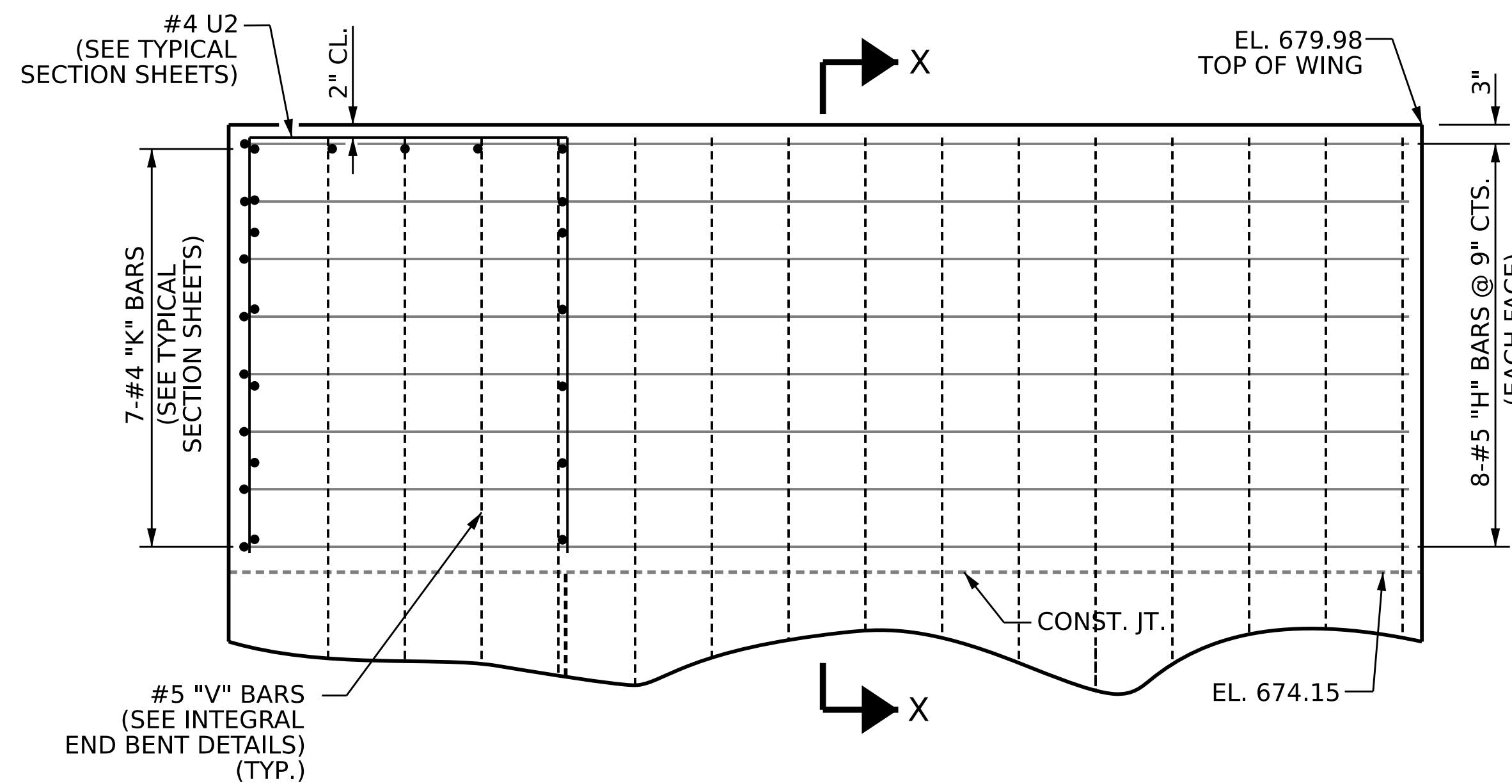


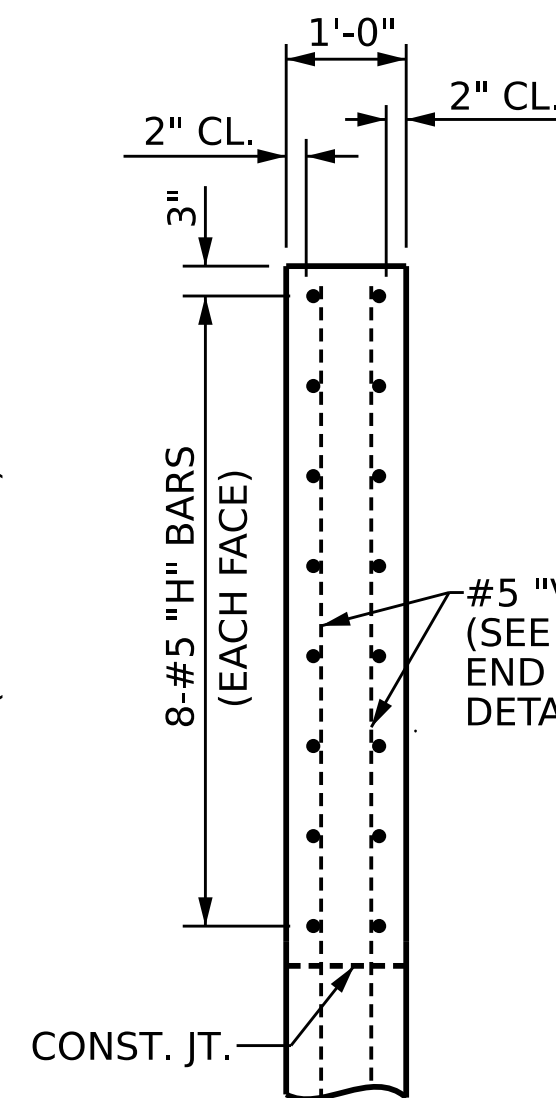
PLAN OF WING W1



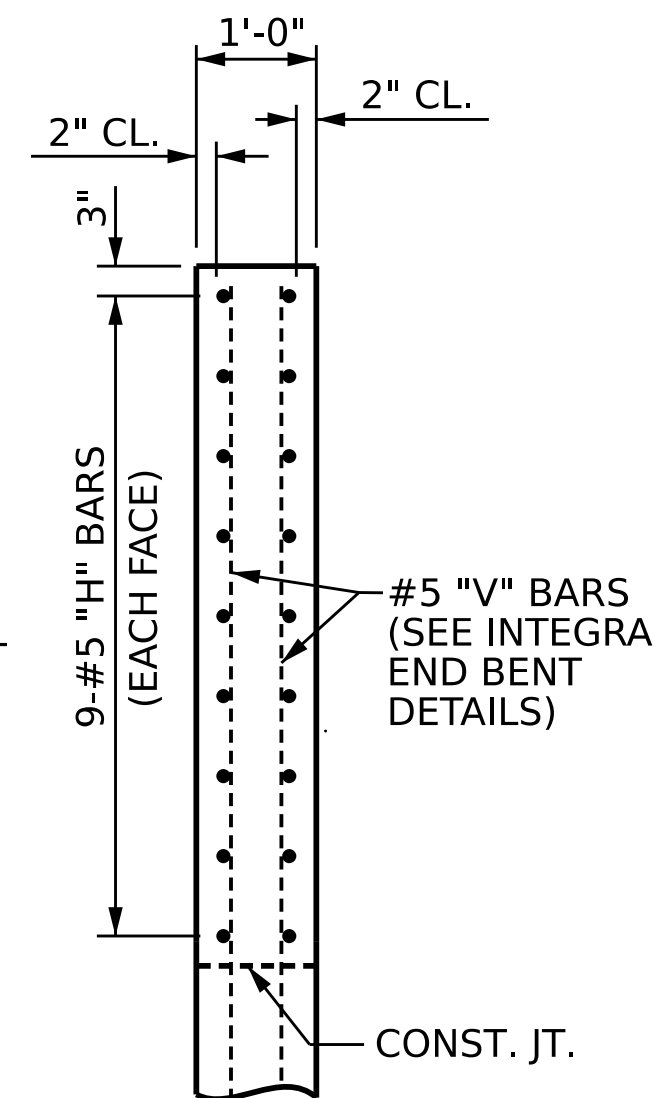
PLAN OF WING W2



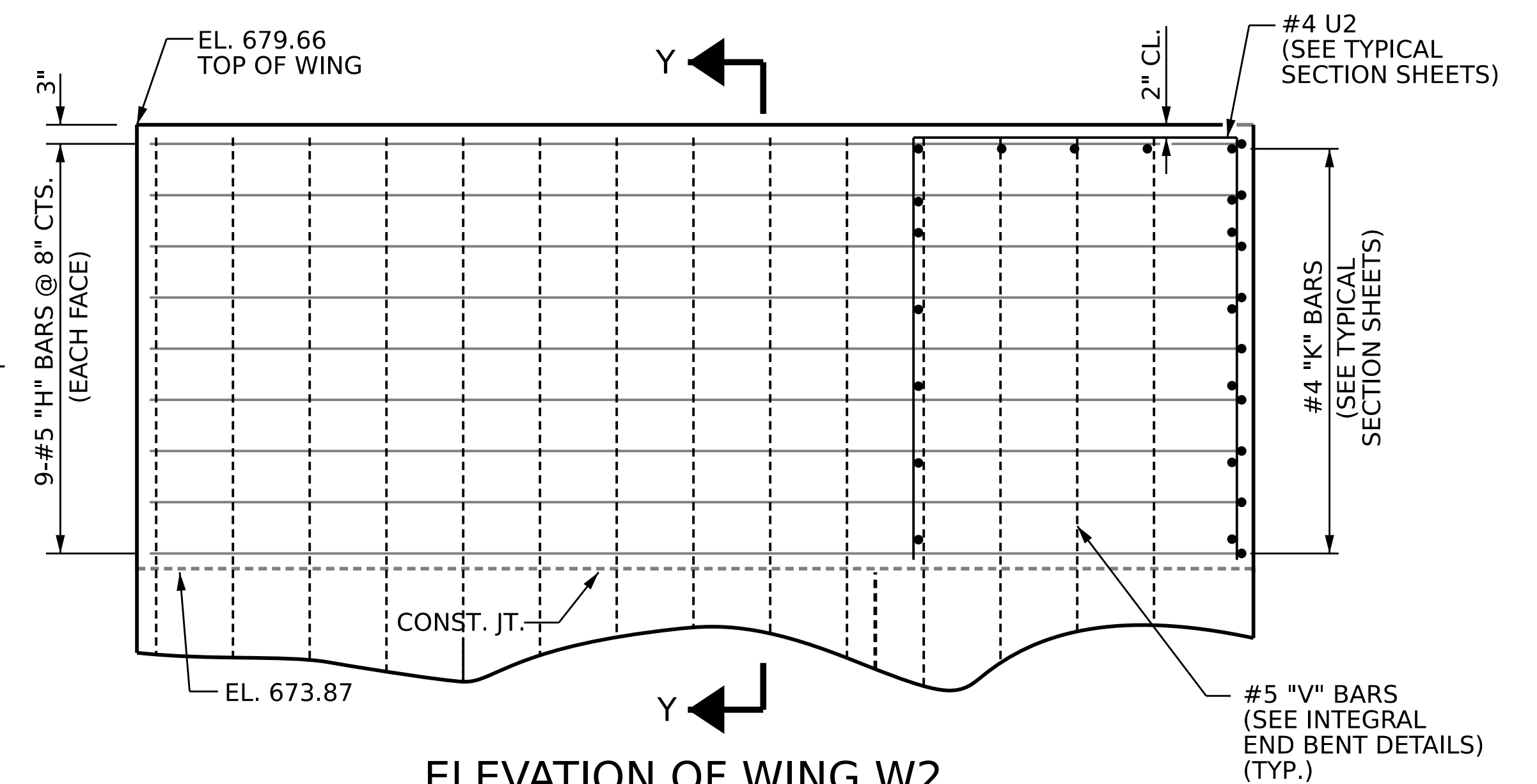
ELEVATION OF WING W1



SECTION X-X



SECTION Y-Y



ELEVATION OF WING W2

UPPER WINGS AT INTEGRAL END BENT 1

FOR LOWER WING REINFORCING STEEL AND DETAILS, SEE "INTEGRAL END BENT 1" SHEETS

PROJECT NO. BR-0093

ROCKINGHAM COUNTY

STATION: 17+85.52 -L-

SHEET 4 OF 5



DocuSigned by:
Francesca Ua
B79DADB8E5D84EF
05/01/2024

STATE OF NORTH CAROLINA
DEPARTMENT OF TRANSPORTATION
RALEIGH
SUPERSTRUCTURE
PLAN OF SPANS
DETAILS AT END BENT 1

DRAWN BY : Q. T. NGUYEN DATE : 10/2023
CHECKED BY : ZIA MALIK DATE : 12/2023
DESIGN ENGINEER OF RECORD : E. BAYISSA DATE : 09/2023

DOCUMENT NOT CONSIDERED
FINAL UNLESS ALL
SIGNATURES COMPLETED

REVISIONS						SHEET NO.
NO.	BY:	DATE:	NO.	BY:	DATE:	S-11
1			3			TOTAL SHEETS
2			4			36