
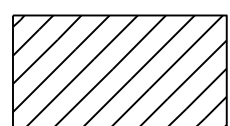
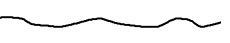


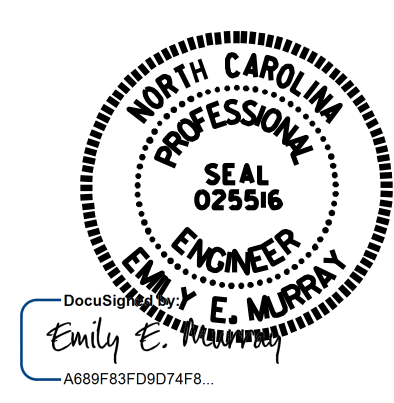
COLUMN 2 COLUMN 1

ELEVATION @ BENT 4 (SPAN E)

 SHOTCRETE REPAIR
 CONCRETE REPAIR
 EPOXY RESIN INJECTION (ERI)

PROJECT NO. 15BPR.130
MOORE COUNTY
 BRIDGE NO. 620072

SHEET 2 OF 2



4/24/2024

STATE OF NORTH CAROLINA
 DEPARTMENT OF TRANSPORTATION
 RALEIGH

BENT 4

VOLKERT
 5540 Centerview Drive, Suite 305
 Raleigh, NC 27606
 Tel. 919-854-0344 Fax. 919-854-0355
 NC License No. F-0765

DOCUMENT NOT CONSIDERED
 FINAL UNLESS ALL
 SIGNATURES COMPLETED

REVISIONS						SHEET NO.
NO.	BY:	DATE:	NO.	BY:	DATE:	SHEET NO.
1			3			S-141
2			4			TOTAL SHEETS 156

DRAWN BY : C.NICHOLS DATE : 01/24
 CHECKED BY : P.N.HOLDER DATE : 03/24