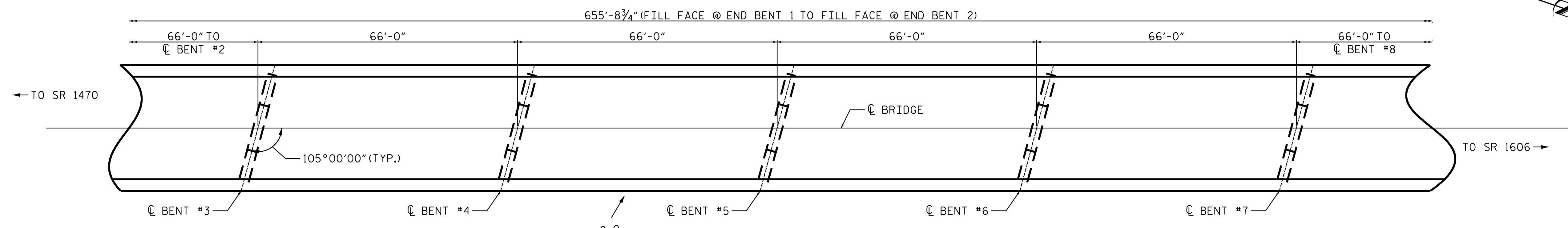
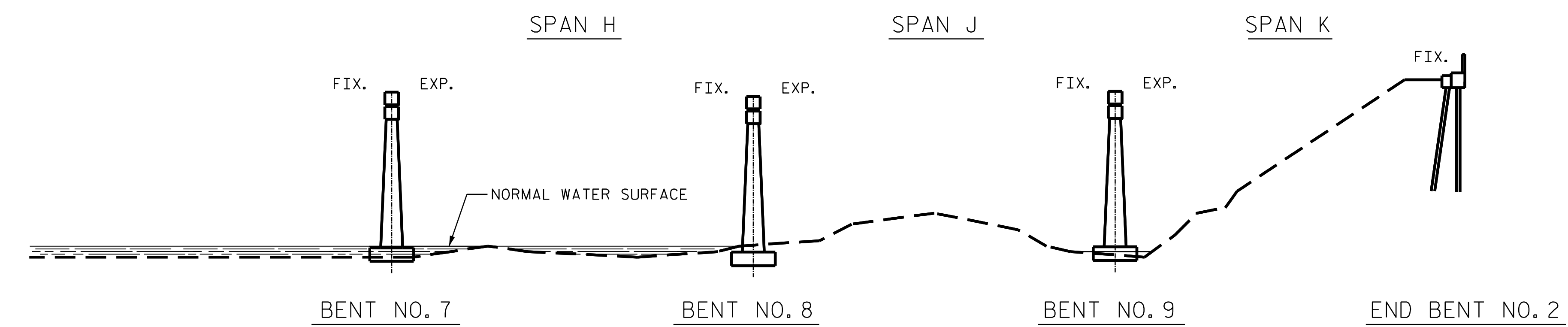


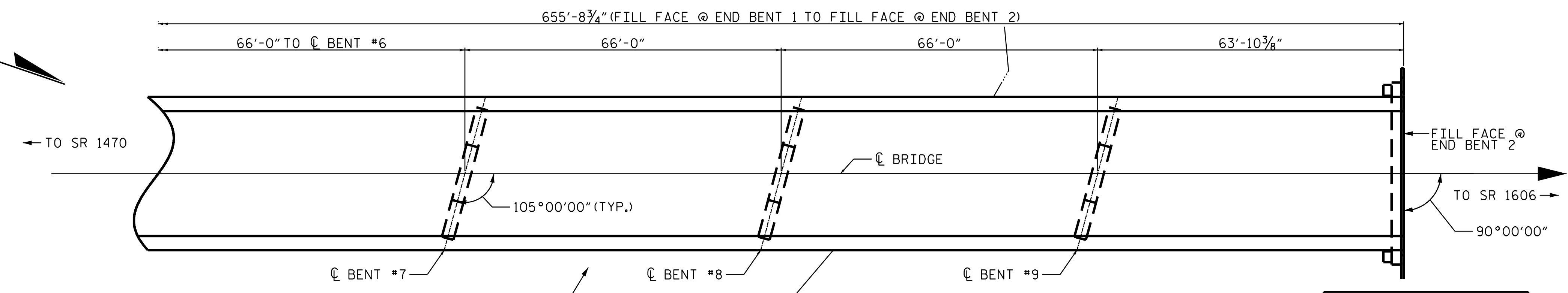
SECTION ALONG C BRIDGE



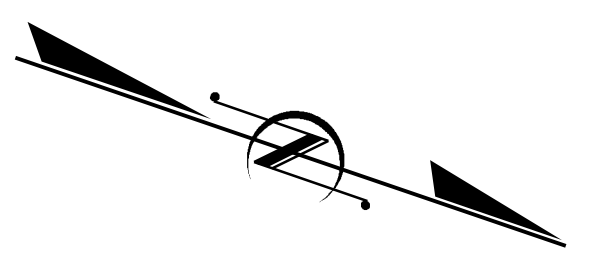
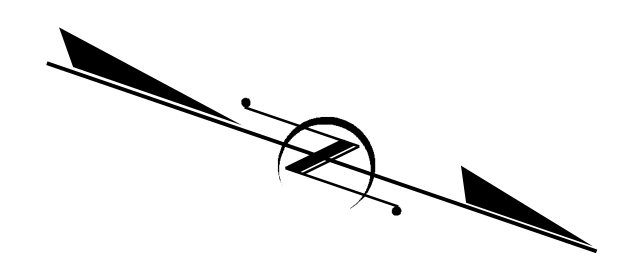
PLAN



SECTION ALONG C BRIDGE



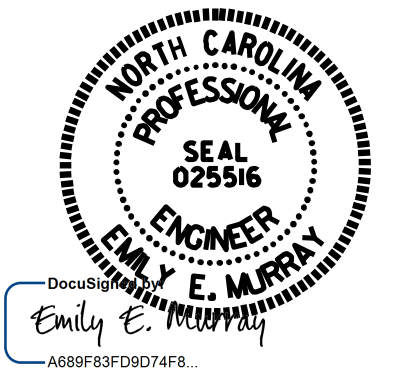
PLAN



PROJECT NO. 15BPR.130
MOORE COUNTY
 BRIDGE NO. 620072

SHEET 2 OF 2

STATE OF NORTH CAROLINA
 DEPARTMENT OF TRANSPORTATION
 RALEIGH
GENERAL DRAWING
 FOR BRIDGE OVER DEEP
 RIVER BETWEEN SR1470 AND
 SR1606 ON NC 22



4/24/2024

VOLKERT
 5430 Wade Park Blvd., Suite 410
 Raleigh, NC 27607
 Tel: 919-854-0344 Fax: 919-854-0355
 NC License No. F-0765

DOCUMENT NOT CONSIDERED
 FINAL UNLESS ALL
 SIGNATURES COMPLETED

DRAWN BY : J.BRYANT DATE : 07/2022
 CHECKED BY : E. E. MURRAY DATE : 03/2024

15-APR-2024 16:37
 *****DCN*****
 brent.barnhill AT C-1001568

REVISIONS						SHEET NO.
NO.	BY:	DATE:	NO.	BY:	DATE:	TOTAL SHEETS
1			3			S-119
2			4			156