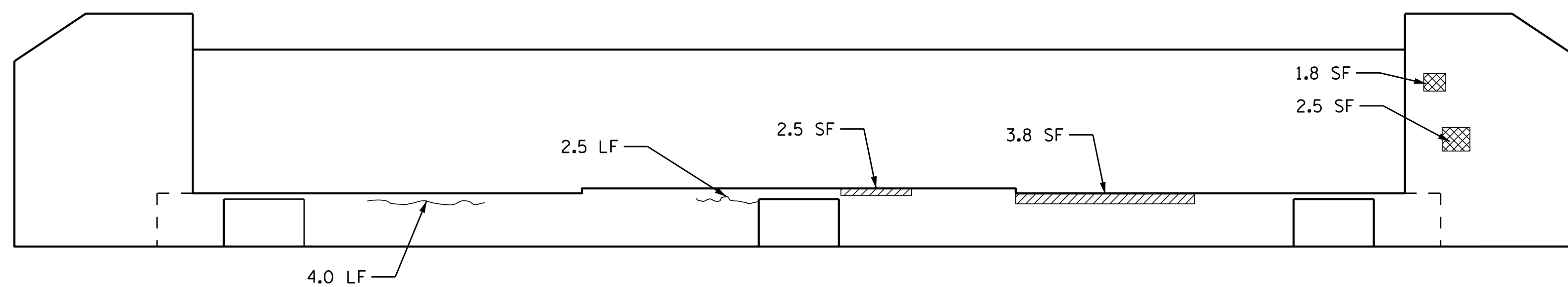


TOP OF CAP @ END BENT 1



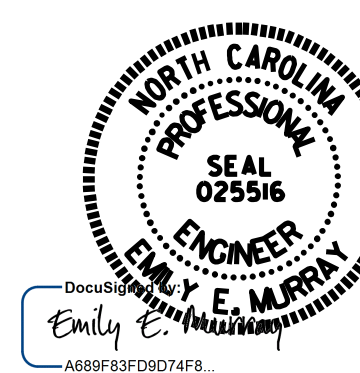
ELEVATION OF END BENT 1

AS-BUILT REPAIR QUANTITY TABLE				
REPAIRS	QUANTITIES			
	ESTIMATE		ACTUAL	
END BENT 1				
SHOTCRETE REPAIRS	AREA SF	VOLUME CF	AREA SF	VOLUME CF
CAP	4.3	2.2		
CONCRETE REPAIRS	AREA SF	VOLUME CF	AREA SF	VOLUME CF
CAP	15.1	7.6		
EPOXY RESIN INJECTION		LN. FT.		LN. FT.
CAP		6.5		
EPOXY COATING		SQ. FT.		SQ. FT.
TOP OF BENT CAP		90.0		

VALUES IN CHART REPRESENT ESTIMATED REPAIR TOTALS AFTER REMOVAL OF UNSOUND CONCRETE, MIN. OF 1" BEHIND REBAR AND 2" MIN. CLEAR TO SAWCUT.

- SHOTCRETE REPAIR
- CONCRETE REPAIR
- EPOXY RESIN INJECTION (ERI)

PROJECT NO. 15BPR.130
MOORE COUNTY
 BRIDGE NO. 620049



4/24/2024

STATE OF NORTH CAROLINA
 DEPARTMENT OF TRANSPORTATION
 RALEIGH

END BENT 1

VOLKERT

5540 Centerview Drive, Suite 305
 Raleigh, NC 27606
 Tel. 919-854-0344 Fax. 919-854-0355
 NC License No. F-0765

DOCUMENT NOT CONSIDERED
 FINAL UNLESS ALL
 SIGNATURES COMPLETED

REVISIONS						SHEET NO.
NO.	BY:	DATE:	NO.	BY:	DATE:	
1			3			S-103
2			4			TOTAL SHEETS: 156

DRAWN BY : C. NICHOLS DATE : 01/24
 CHECKED BY : P.N.HOLDER DATE : 03/24