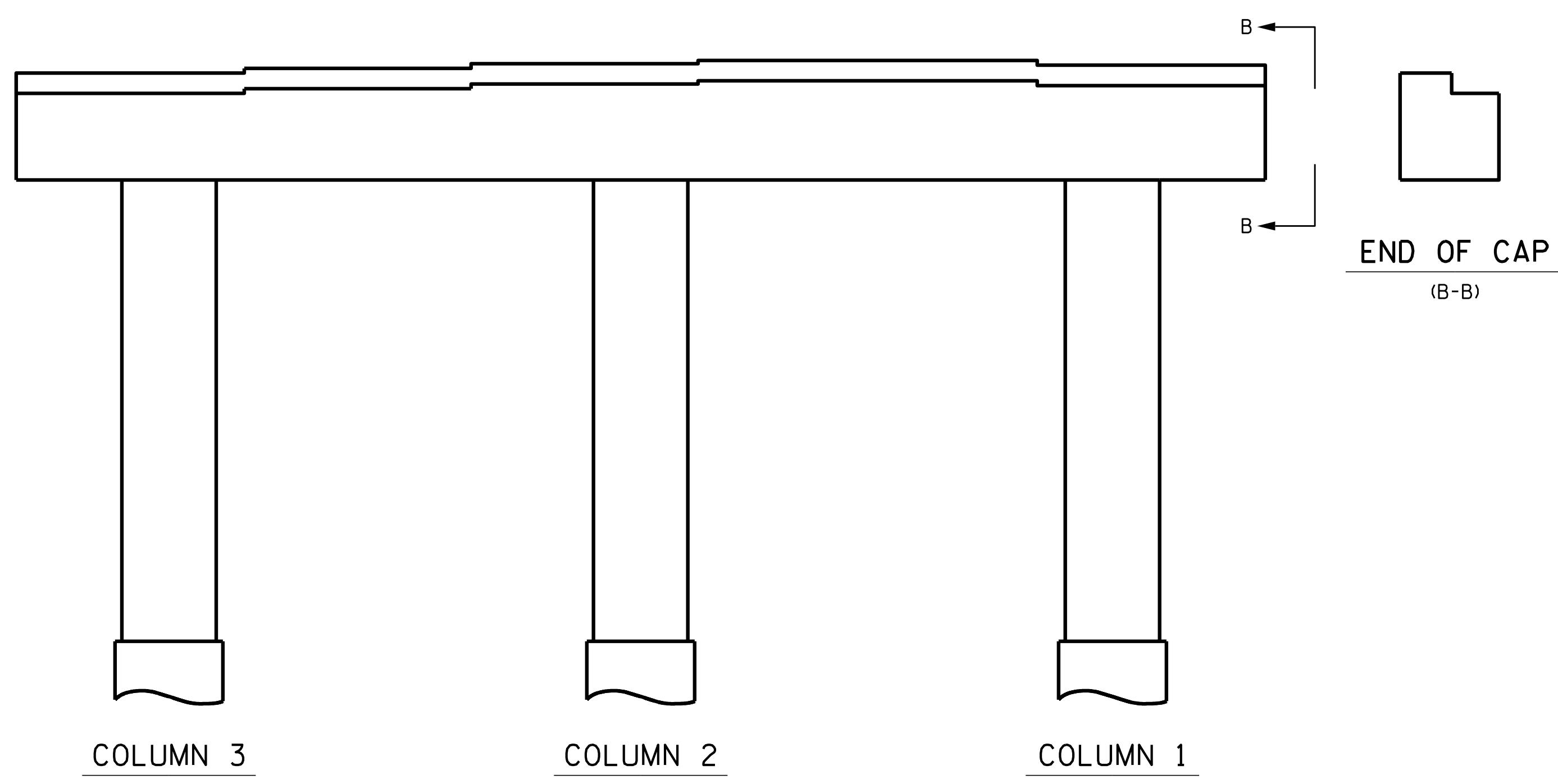
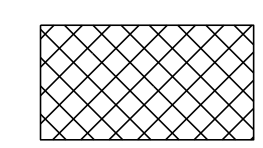
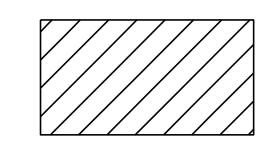



BOTTOM OF CAP @ BENT 1



ELEVATION @ BENT 1 (SPAN B)

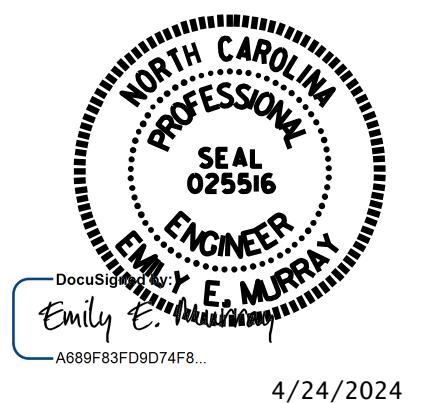
-  SHOTCRETE REPAIR
-  CONCRETE REPAIR
-  EPOXY RESIN INJECTION (ERI)

PROJECT NO. 15BPR.130
CHATHAM COUNTY
 BRIDGE NO. 180477

SHEET 2 OF 2

STATE OF NORTH CAROLINA
 DEPARTMENT OF TRANSPORTATION
 RALEIGH

BENT 1



4/24/2024

VOLKERT

5540 Centerview Drive, Suite 305
 Raleigh, NC 27606
 Tel. 919-854-0344 Fax. 919-854-0355
 NC License No. F-0765

DOCUMENT NOT CONSIDERED
 FINAL UNLESS ALL
 SIGNATURES COMPLETED

REVISIONS						SHEET NO.
NO.	BY:	DATE:	NO.	BY:	DATE:	S-63
1			3			TOTAL SHEETS 156
2			4			

DRAWN BY : S. C. NICHOLS DATE : 09/22
 CHECKED BY : P. N. HOLDER DATE : 03/24