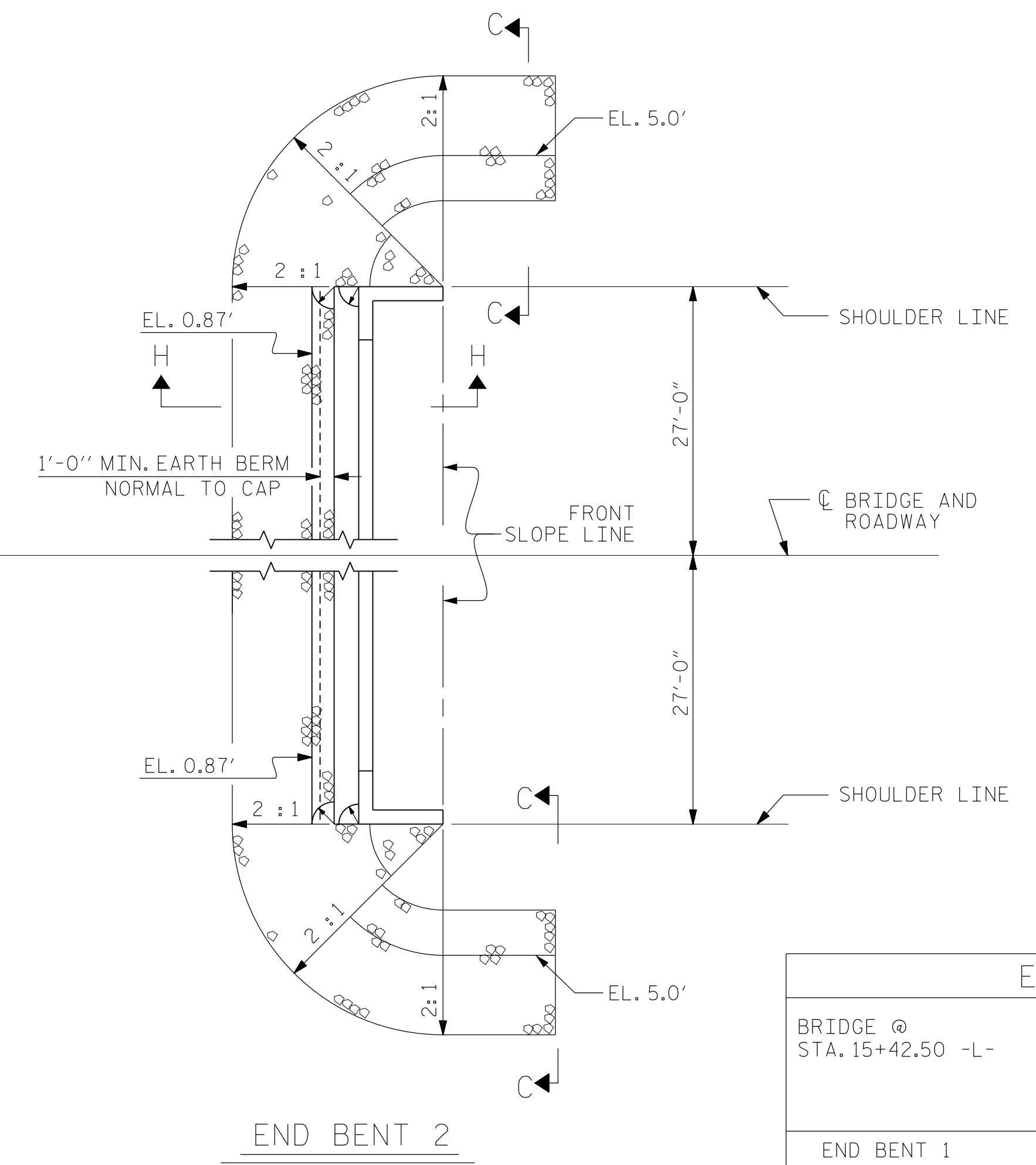
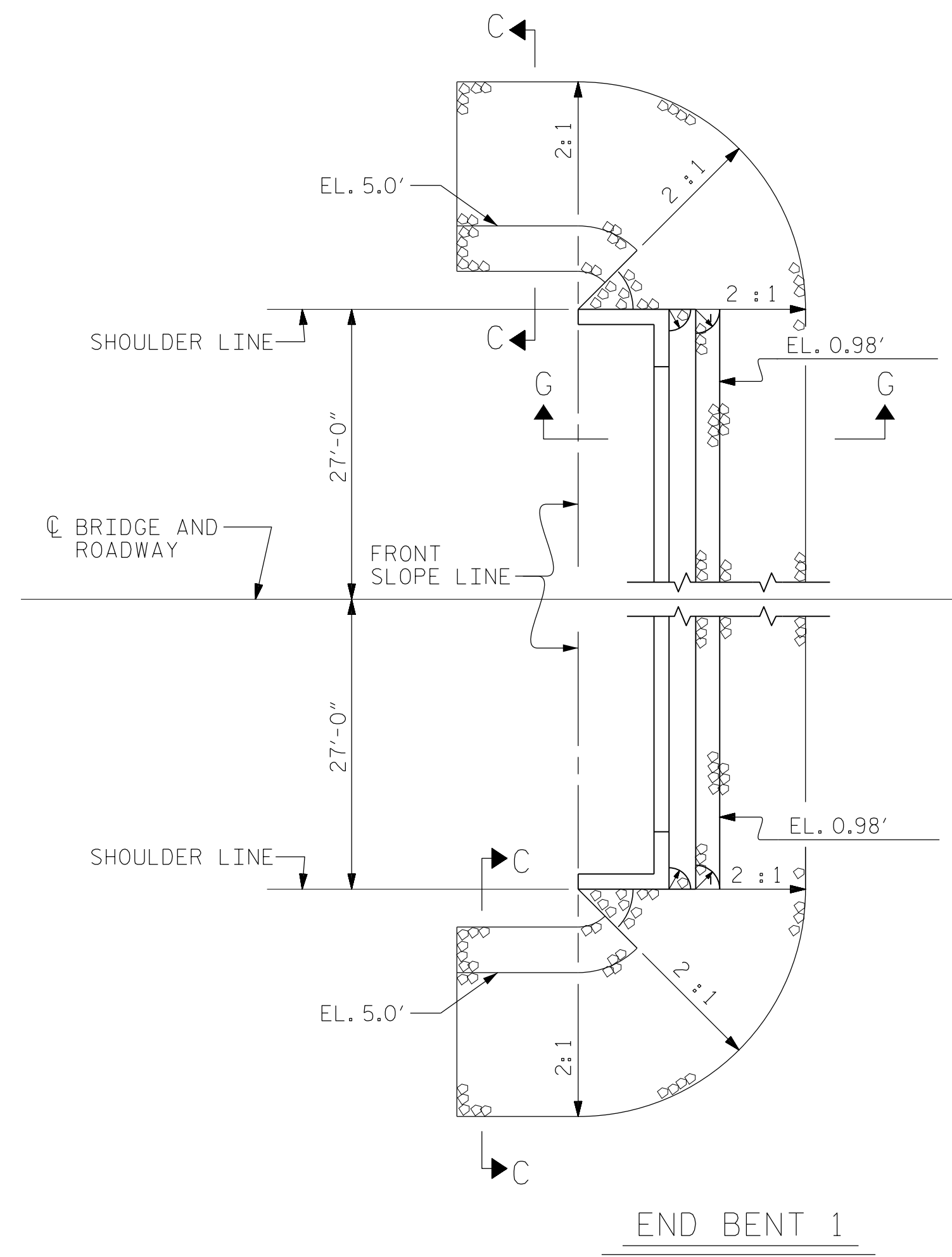
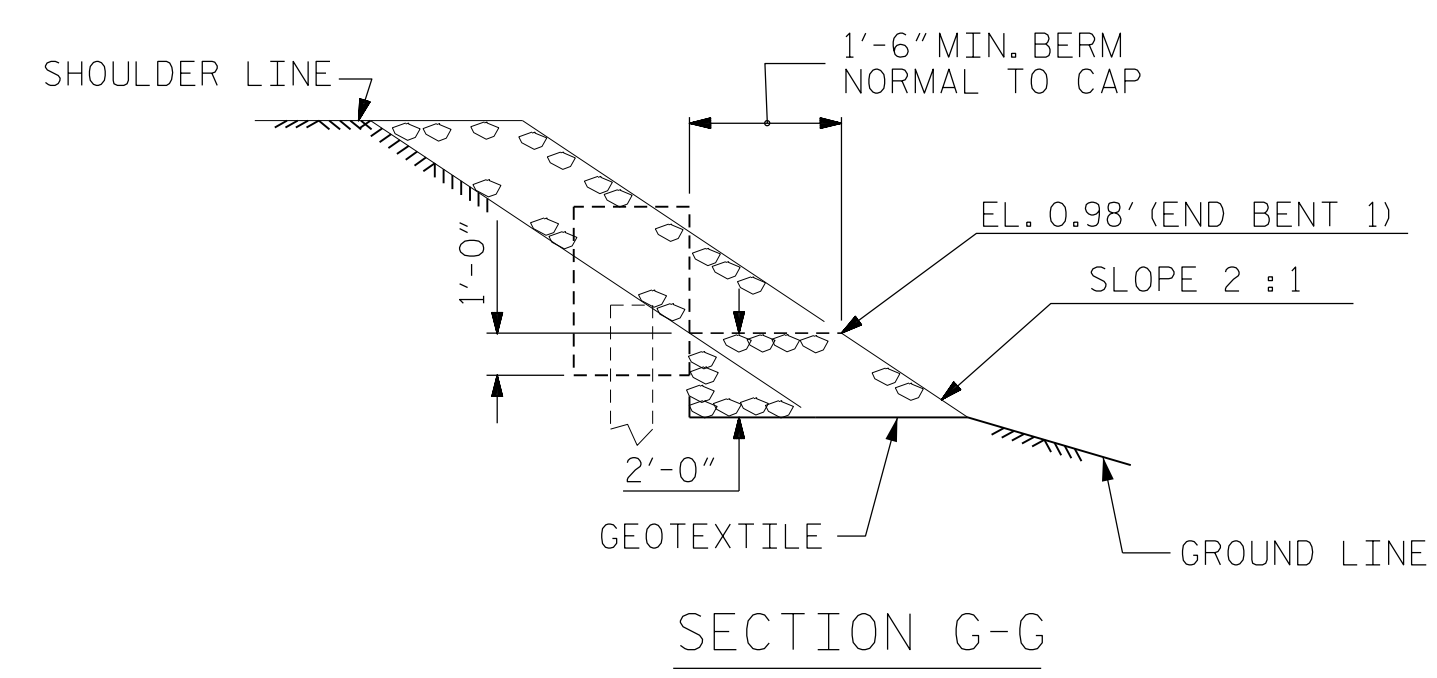
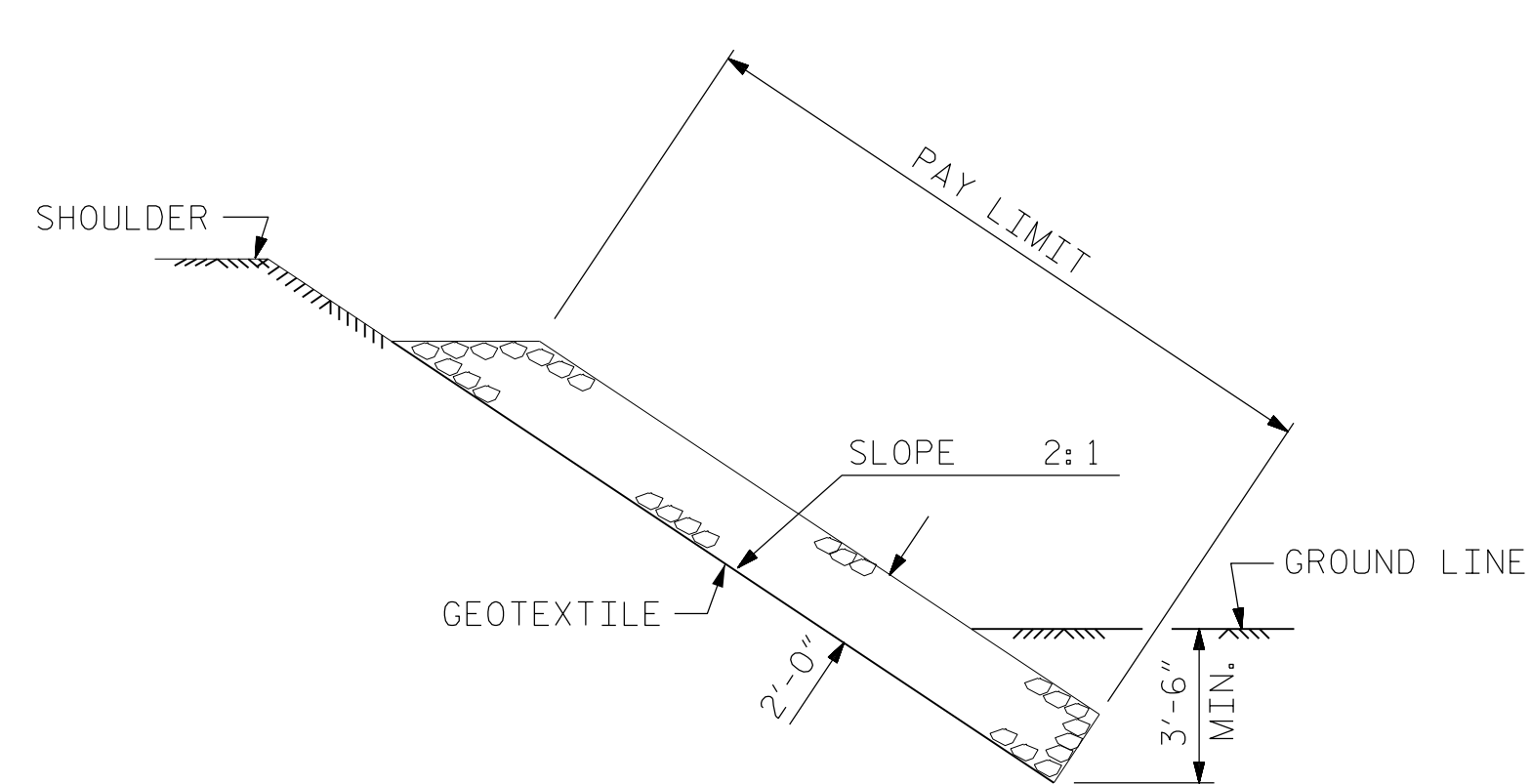
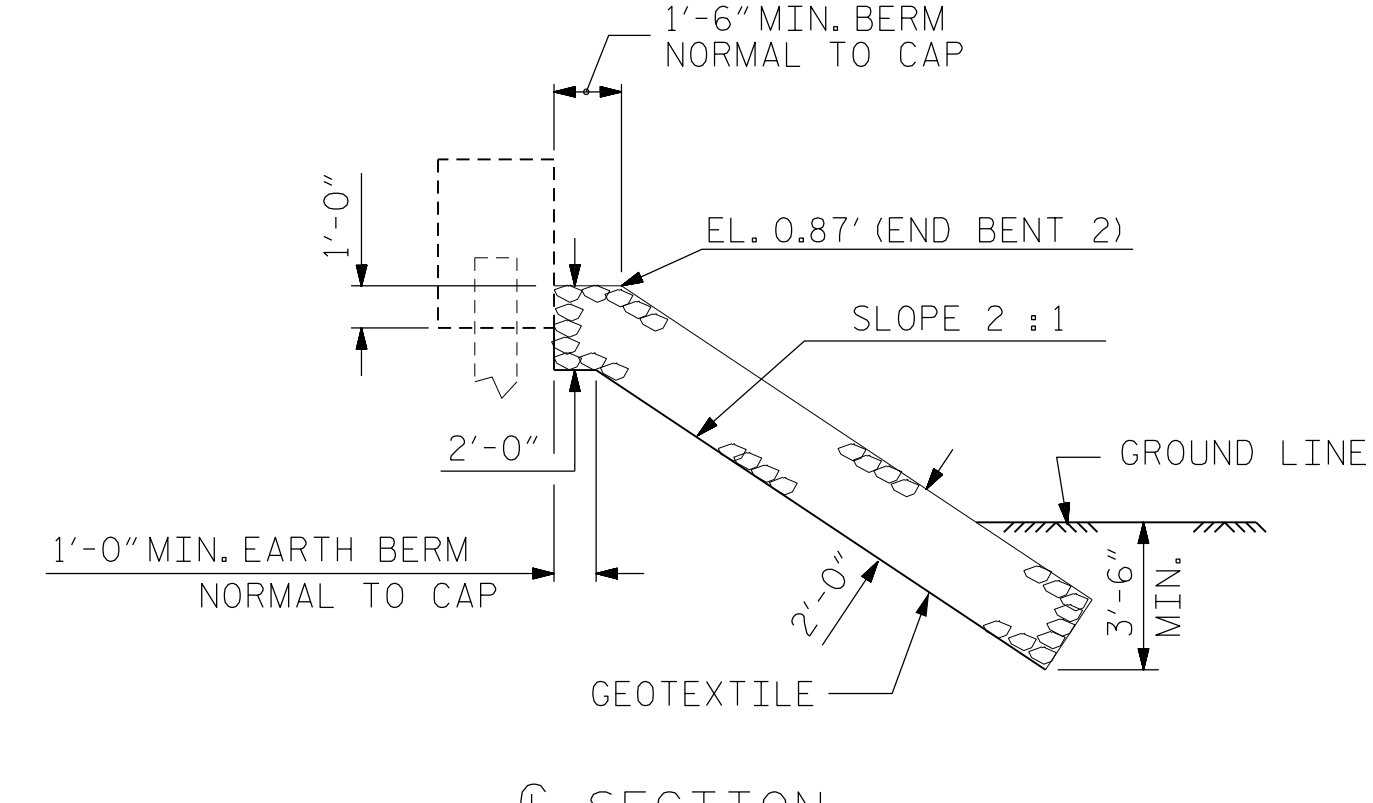
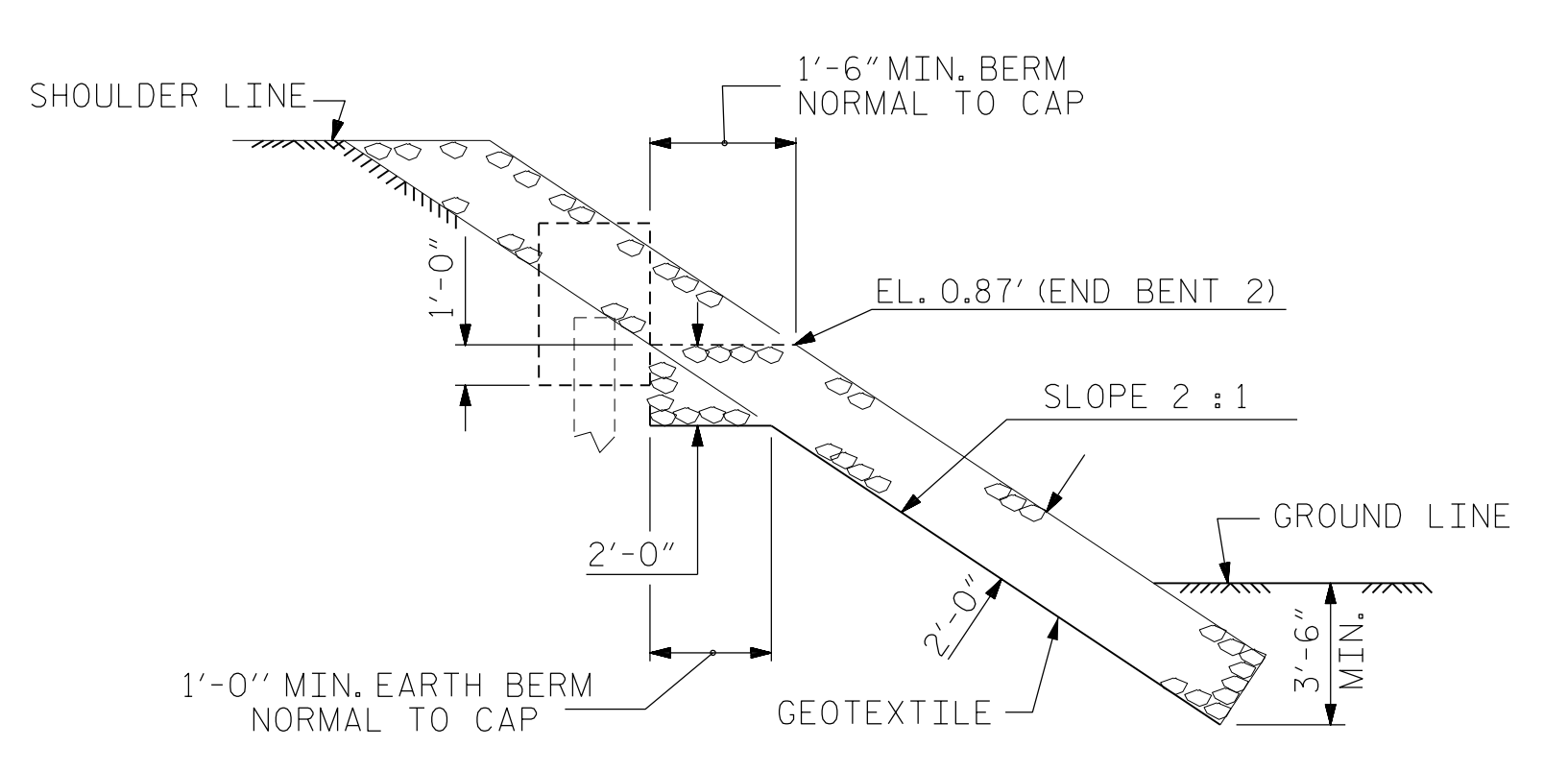


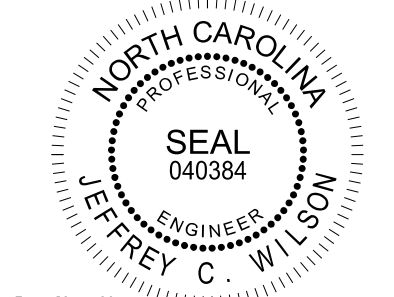
NOTES :
FOR BERM WIDTH DIMENSIONS, SEE GENERAL DRAWING.



ESTIMATED QUANTITIES		
BRIDGE @ STA. 15+42.50 -L-	RIP RAP CLASS II (2'-0" THICK)	GEOTEXTILE FOR DRAINAGE
	TONS	SQUARE YARDS
END BENT 1	155	172
END BENT 2	153	170



PROJECT NO. B-5610
DARE COUNTY
STATION: 15+42.50 -L-



DocuSigned by:
Jeffrey C. Wilson 4/8/2024
84430599F4642A
DOCUMENT NOT CONSIDERED
FINAL UNLESS ALL
SIGNATURES COMPLETED

Firm License No. C-1051
223 S West St,
Suite 1100
Raleigh, NC 27603
T 919.380.8750
www.stewartinc.com

STATE OF NORTH CAROLINA DEPARTMENT OF TRANSPORTATION RALEIGH					
STANDARD RIP RAP DETAILS					
REVISIONS					
NO.	BY:	DATE:	NO.	BY:	DATE:
1			3		
2			4		

SHEET NO. S-27
TOTAL SHEETS 29

ASSEMBLED BY : GR	DATE : 1/24
CHECKED BY : JCW	DATE : 1/24
DRAWN BY : REK 1/84	REV. 10/1/11 MMA/GM
CHECKED BY : RDU 1/84	REV. 12/21/11 MMA/GM
	REV. 12/17 MMA/THC

4/4/2024
 B-5610
 \B-5610-SMUJ_RR1-270008.dgn
 USER: jwilson