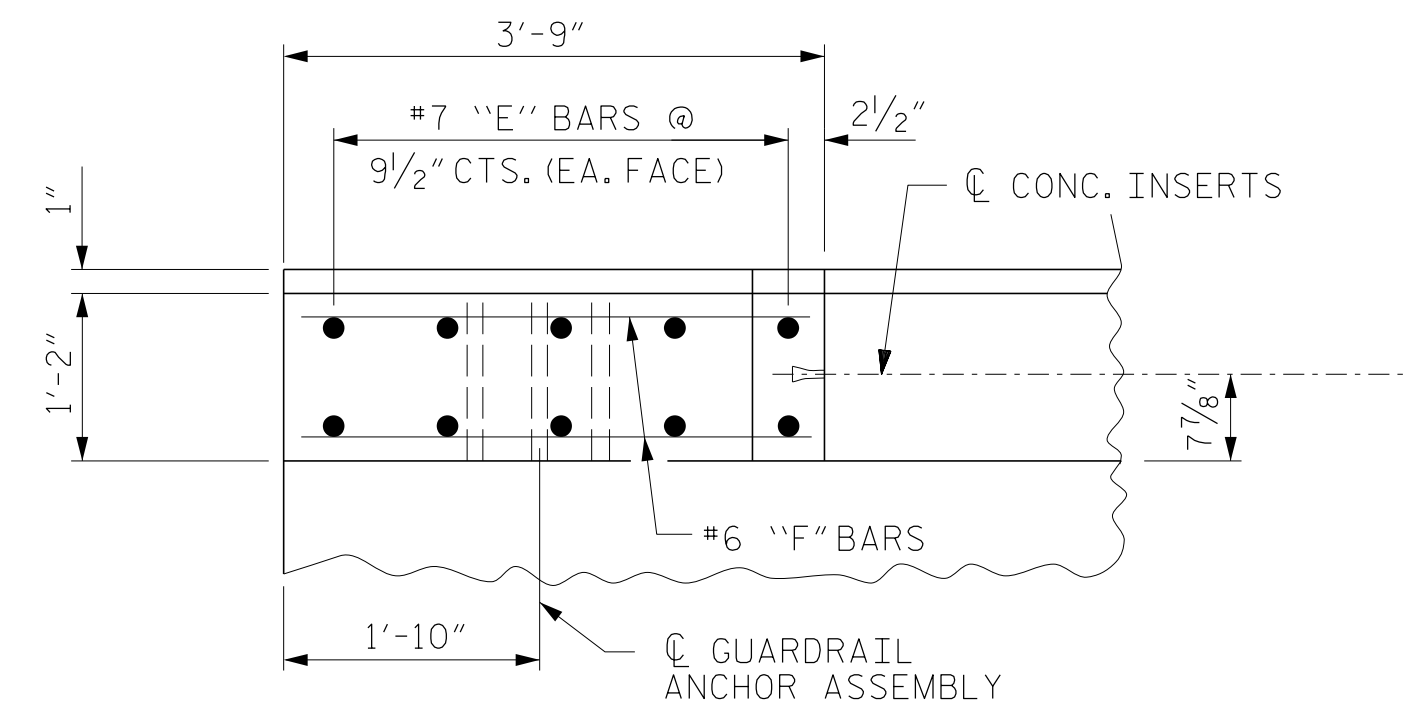
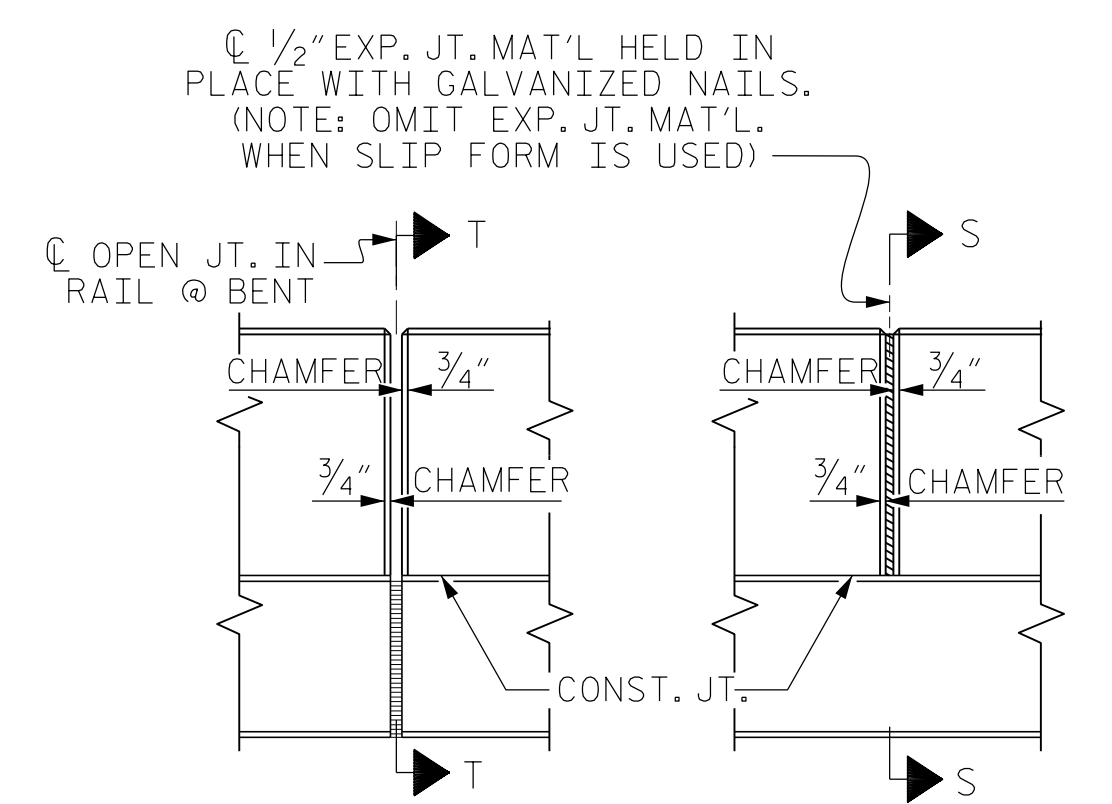


PLAN OF PARAPET

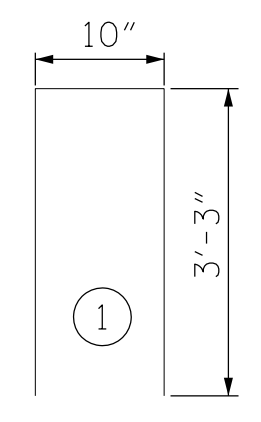


PLAN OF END POST

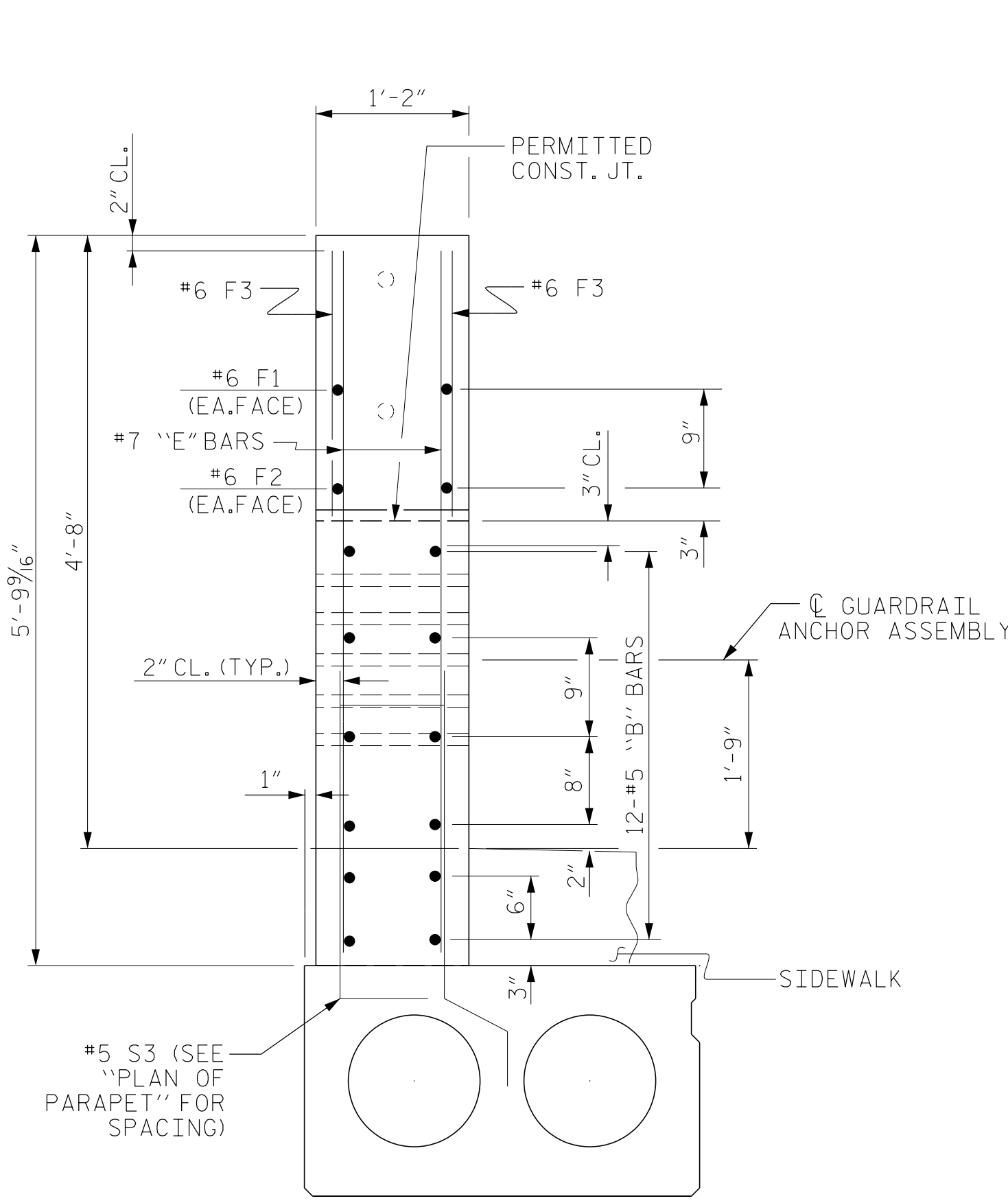


ELEVATION AT EXPANSION JOINTS

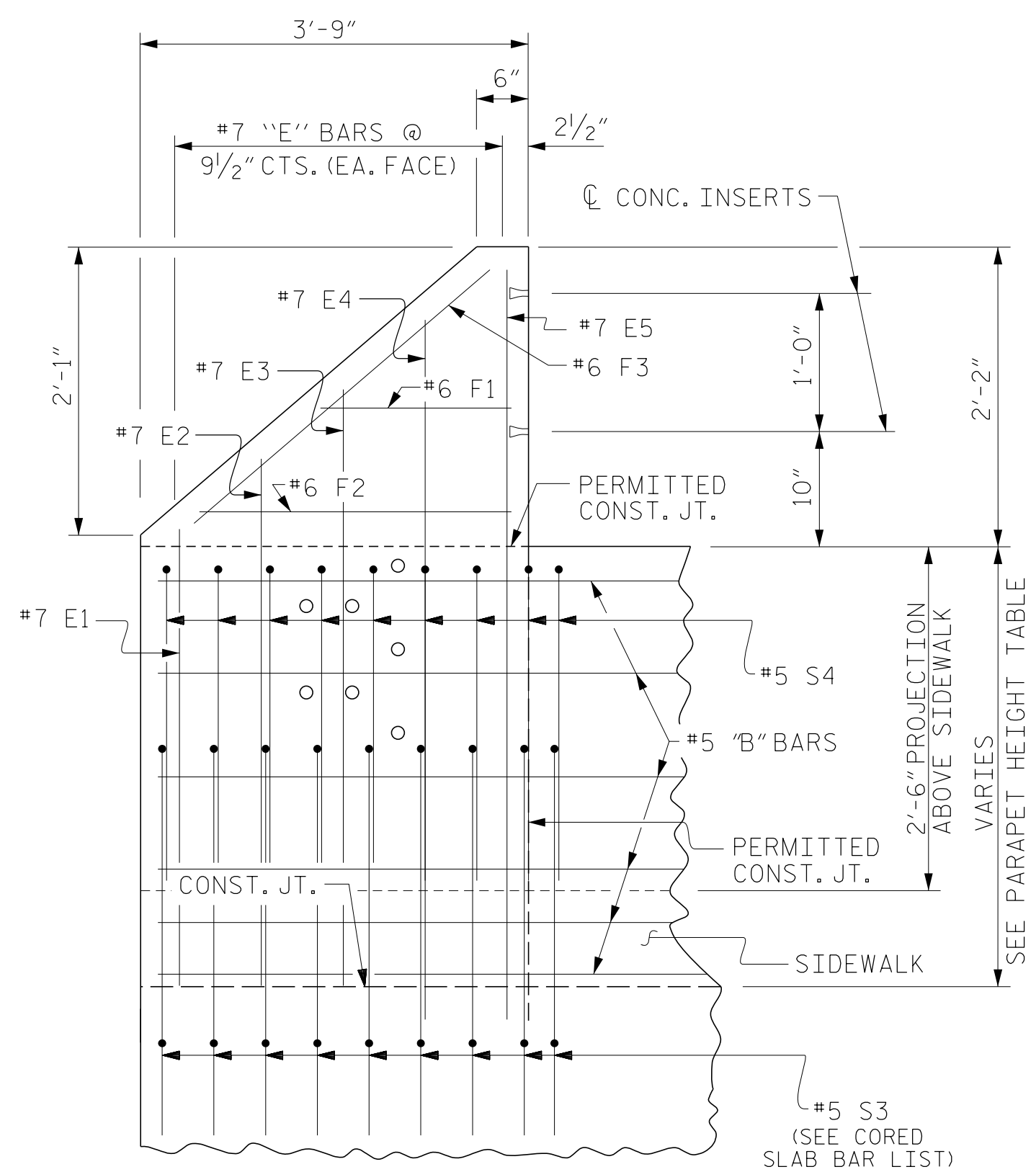
BAR TYPE		BILL OF MATERIAL 2 PARAPETS AND 4 END POSTS				
BAR	NO.	SIZE	TYPE	LENGTH	WEIGHT	
*B12	48	#5	STR	22'-1"	1,106	
*B13	48	#5	STR	24'-7"	1,231	
*E1	8	#7	STR	3'-6"	57	
*E2	8	#7	STR	4'-0"	65	
*E3	8	#7	STR	4'-6"	74	
*E4	8	#7	STR	5'-0"	82	
*E5	8	#7	STR	5'-5"	89	
*F1	8	#6	STR	1'-10"	22	
*F2	8	#6	STR	3'-0"	36	
*F3	8	#6	STR	3'-4"	40	
*S4	224	#5	1	7'-4"	1,713	
* EPOXY COATED REINFORCING STEEL					4,515 LBS.	
CLASS AA CONCRETE					30.4 CU.YDS.	
TOTAL LIN. FT. OF CONCRETE PARAPET					190.25 LF	



BAR DIMENSIONS ARE OUT TO OUT



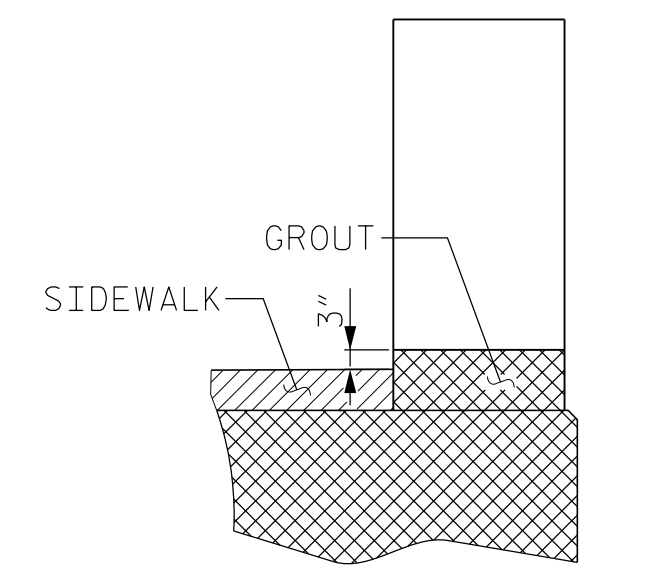
END VIEW



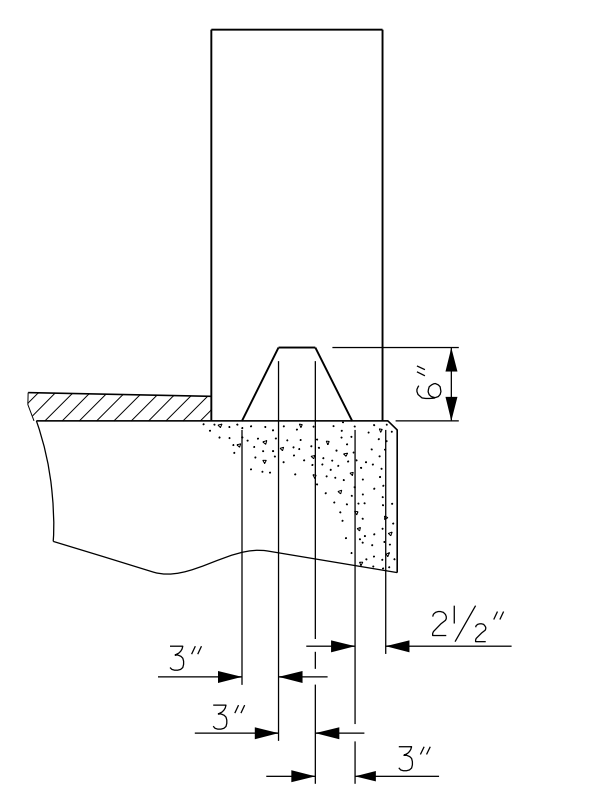
ELEVATION

PARAPET AND END POST FOR TWO BAR RAIL

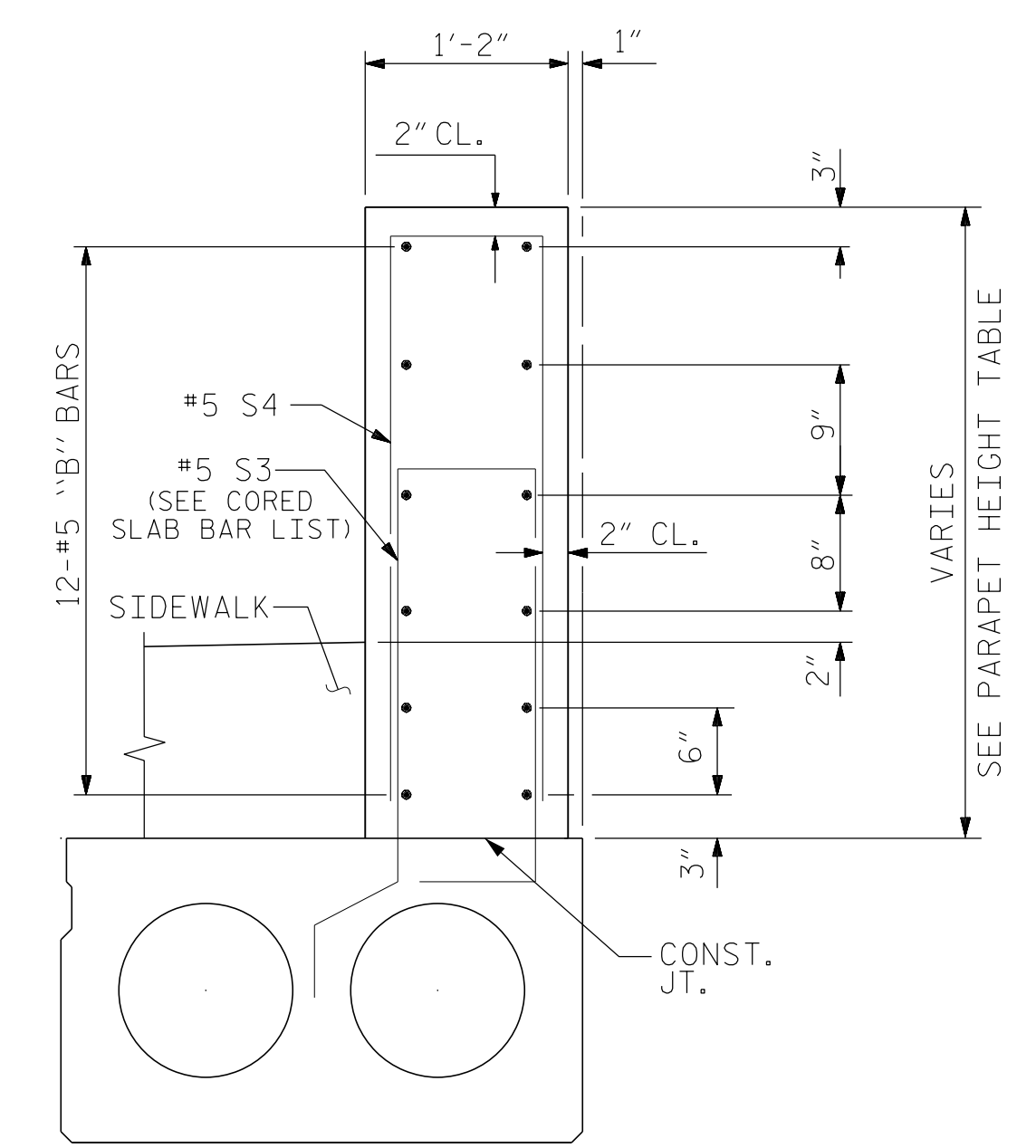
PARAPET HEIGHT		
SPAN	AT CL BEARINGS	AT MIDSPAN
A	3'-7 9/16"	3'-7 1/16"
B	3'-7 9/16"	3'-6 7/16"



SECTION T-T
AT OPEN JOINT AT BENT 1

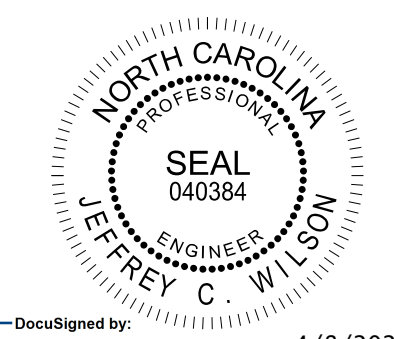


SECTION S-S
AT DAM IN OPEN JOINT
(THIS IS TO BE USED ONLY
WHEN SLIP FORM IS USED)



PARAPET SECTION

PROJECT NO. B-5610
DARE COUNTY
STATION: 15+42.50 -L-
SHEET 4 OF 4



DocuSigned by:
Jeffrey C. Wilson
844D30599F4642A
4/8/2024
DOCUMENT NOT CONSIDERED
FINAL UNLESS ALL
SIGNATURES COMPLETED

Firm License No. C-1051
223 S West St,
Suite 1100
Raleigh, NC 27603
T 919.380.8750
www.stewartinc.com

STATE OF NORTH CAROLINA
DEPARTMENT OF TRANSPORTATION
RALEIGH
SUPERSTRUCTURE
CONCRETE PARAPET AND
END POST DETAILS

REVISIONS						SHEET NO.
NO.	BY:	DATE:	NO.	BY:	DATE:	S-16
1			3			TOTAL SHEETS 29
2			4			

DRAWN BY: G. RAMBOULI DATE: 1/24
CHECKED BY: J. WILSON DATE: 1/24
DESIGN ENGINEER OF RECORD: J. WILSON DATE: 1/24

B-5610
4/4/2024
B-5610-SMUJ-2MR4-270008.dgn
USER: jwilson