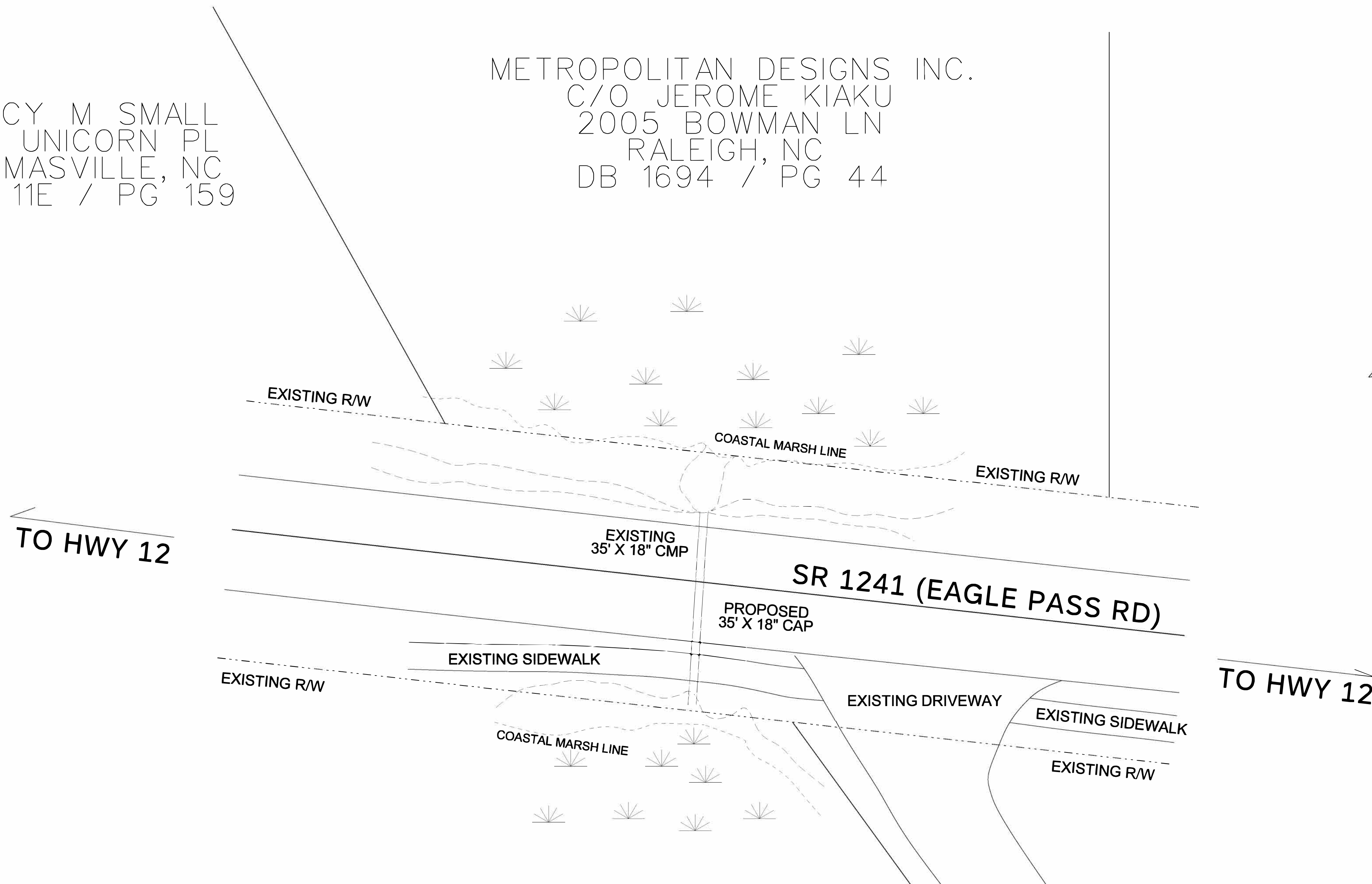
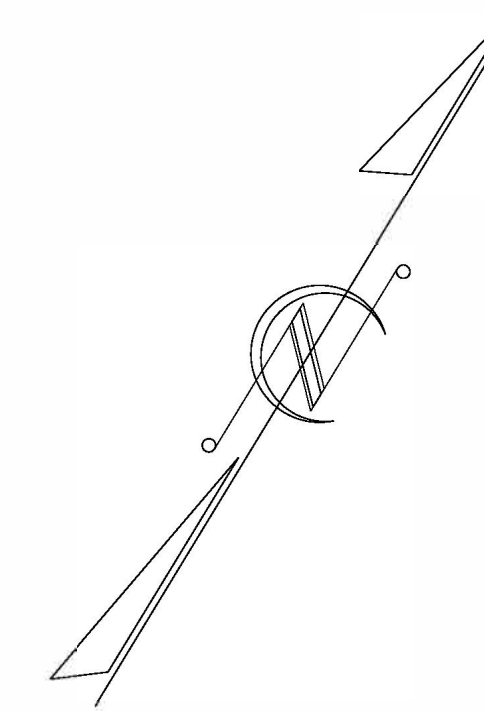


PLAN VIEW DETAILED DRAWING

PROJECT REFERENCE NO.	SHEET NO.
45565.3.2	5

NANCY M SMALL
170 UNICORN PL
THOMASVILLE, NC
WB 11E / PG 159

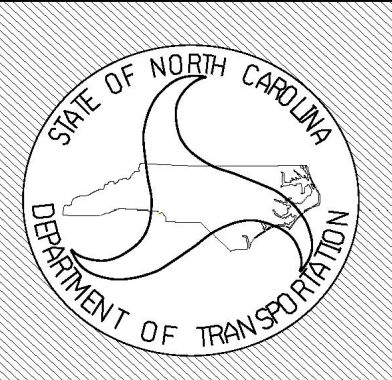
METROPOLITAN DESIGNS INC.
C/O JEROME KIAKU
2005 BOWMAN LN
RALEIGH, NC
DB 1694 / PG 44



NO WETLAND IMPACT
NO OPEN WATER IMPACT

NANCY M SMALL
170 UNICORN PL
THOMASVILLE, NC
WB 11E / PG 159

NORTH CAROLINA DEPARTMENT OF TRANSPORTATION
DIVISION 1
113 AIRPORT DR.
EDENTON, NC 27932 (252) 482-1850



COUNTY: DARE WBS#: 45565.3.2
QUAD: HATTERAS DATE: AUGUST 30, 2023
BASIN: TAR-PAMLICO SHEET #: 5

REPLACE PIPE CULVERT ON SR 1241 (EAGLE PASS RD)

LAT. = 35.212164 N LONG. = 75.697633 W

DRAWN BY: B.K. BROWN SCALE: NTS

LEGEND	
-----	EXISTING
—————	PROPOSED