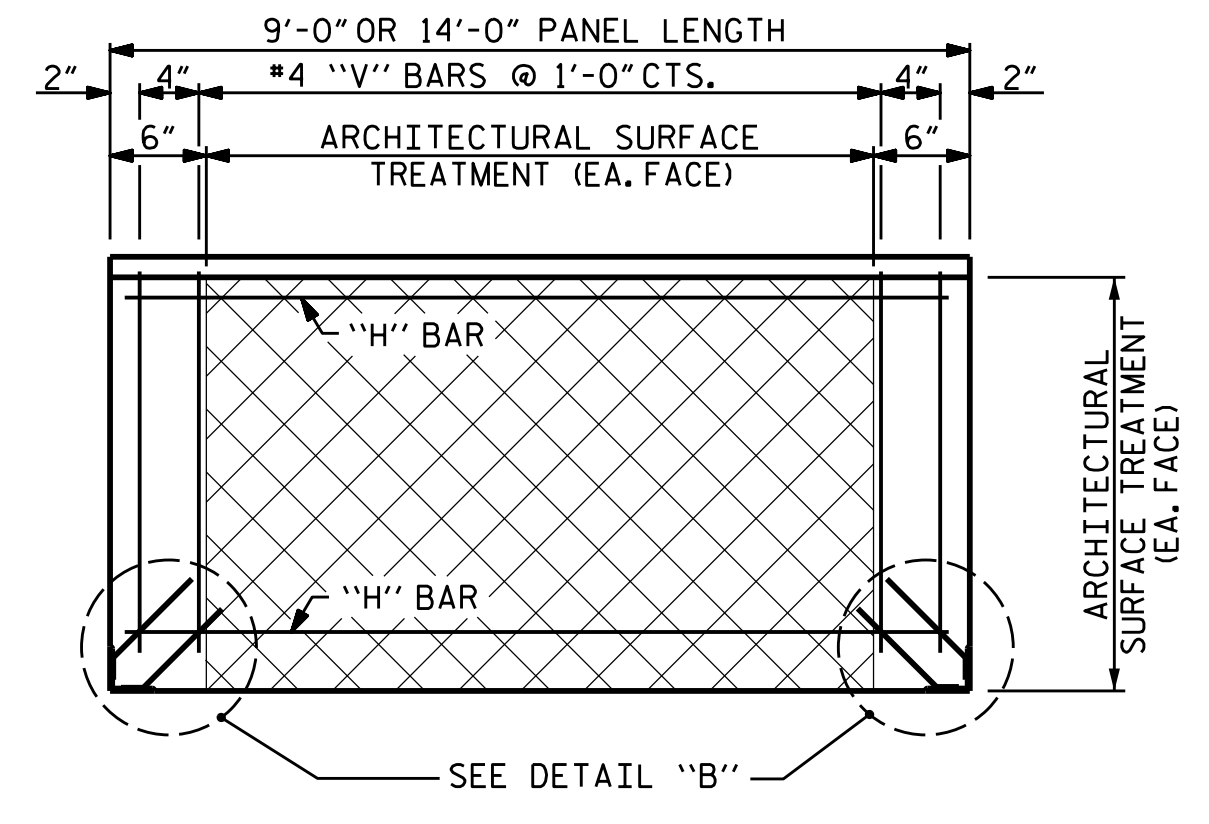
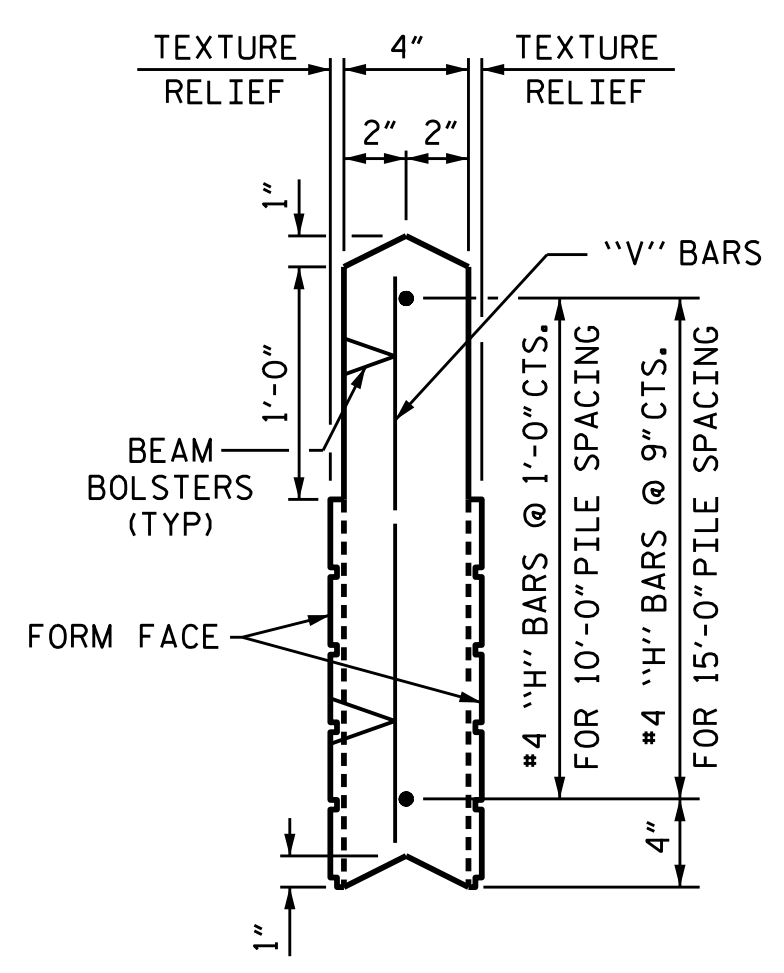


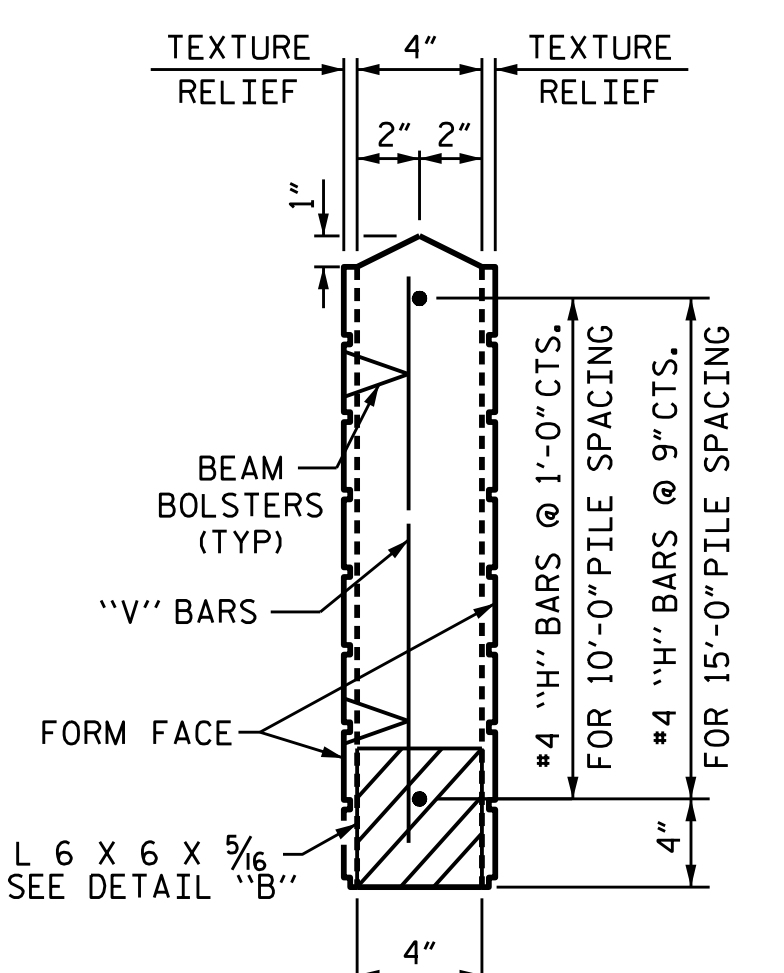
FRONT ELEVATION OF UPPER PRECAST PANEL



FRONT ELEVATION OF BOTTOM PRECAST PANEL

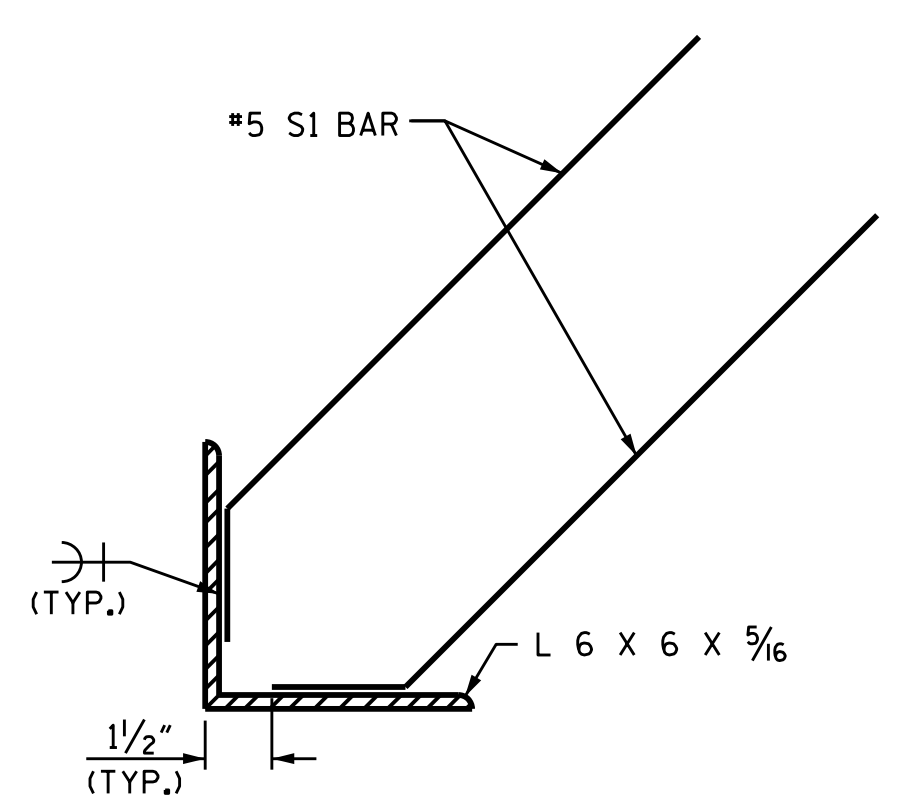


UPPER PANEL



BOTTOM PANEL

SECTION THROUGH PRECAST PANELS



DETAIL "B"

QUANTITIES FOR ONE PRECAST PANEL (FOR 10'-0" PILE SPACING)

PANEL HEIGHT	CLASS AA CONCRETE C.Y.	BAR TYPES									
		HORIZONTAL					VERTICAL				
		NO.	BAR SIZE	TYPE	LENGTH	WEIGHT (lb)	NO.	BAR SIZE	TYPE	LENGTH	WEIGHT (lb)
2'-0"	0.22	3	H1	#4 STR	8'-8"	17	11	V1	#4 STR	1'-8"	12
3'-0"	0.33	4	H2	#4 STR	8'-8"	23	11	V2	#4 STR	2'-8"	20
4'-0"	0.44	5	H3	#4 STR	8'-8"	29	11	V3	#4 STR	3'-8"	27

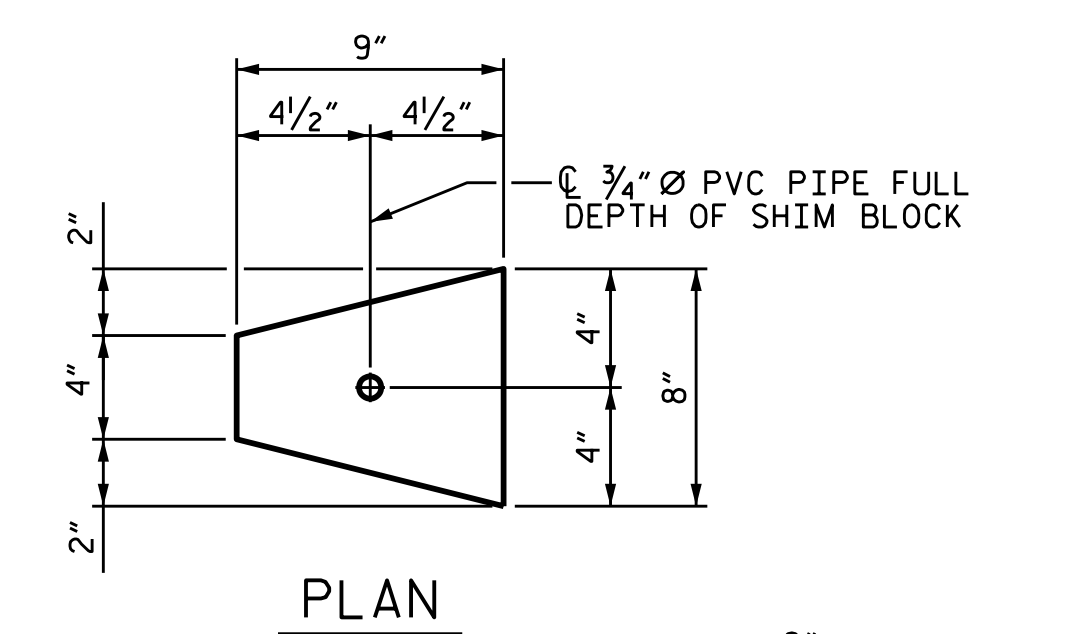
QUANTITIES FOR ONE PRECAST PANEL (FOR 15'-0" PILE SPACING)

PANEL HEIGHT	CLASS AA CONCRETE C.Y.	BAR TYPES									
		HORIZONTAL					VERTICAL				
		NO.	BAR SIZE	TYPE	LENGTH	WEIGHT (lb)	NO.	BAR SIZE	TYPE	LENGTH	WEIGHT (lb)
3'-0"	0.52	5	H1	#4 STR	13'-8"	46	16	V1	#4 STR	2'-8"	29
4'-0"	0.69	6	H2	#4 STR	13'-8"	55	16	V2	#4 STR	3'-8"	39
5'-0"	0.86	7	H3	#4 STR	13'-8"	64	16	V3	#4 STR	4'-8"	50
6'-0"	1.04	8	H4	#4 STR	13'-8"	73	16	V4	#4 STR	5'-8"	61

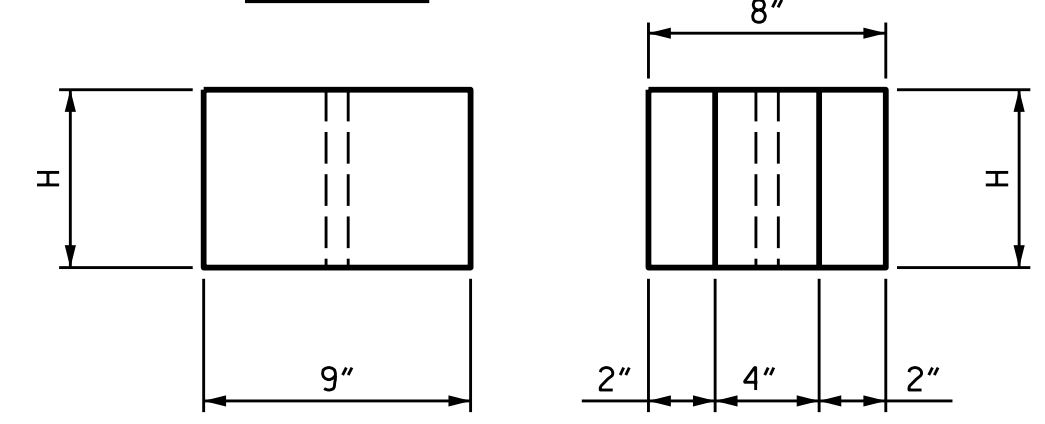
ADDITIONAL BARS FOR ONE BOTTOM PANEL

NO.	BAR SIZE	TYPE	LENGTH	WEIGHT (lb)
4	SI	#5	1'-6"	6

BAR TYPE



PLAN

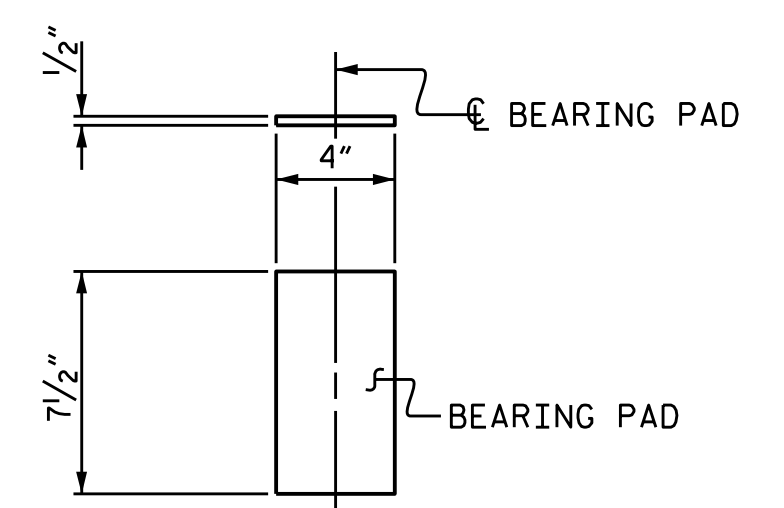


ELEVATION

END

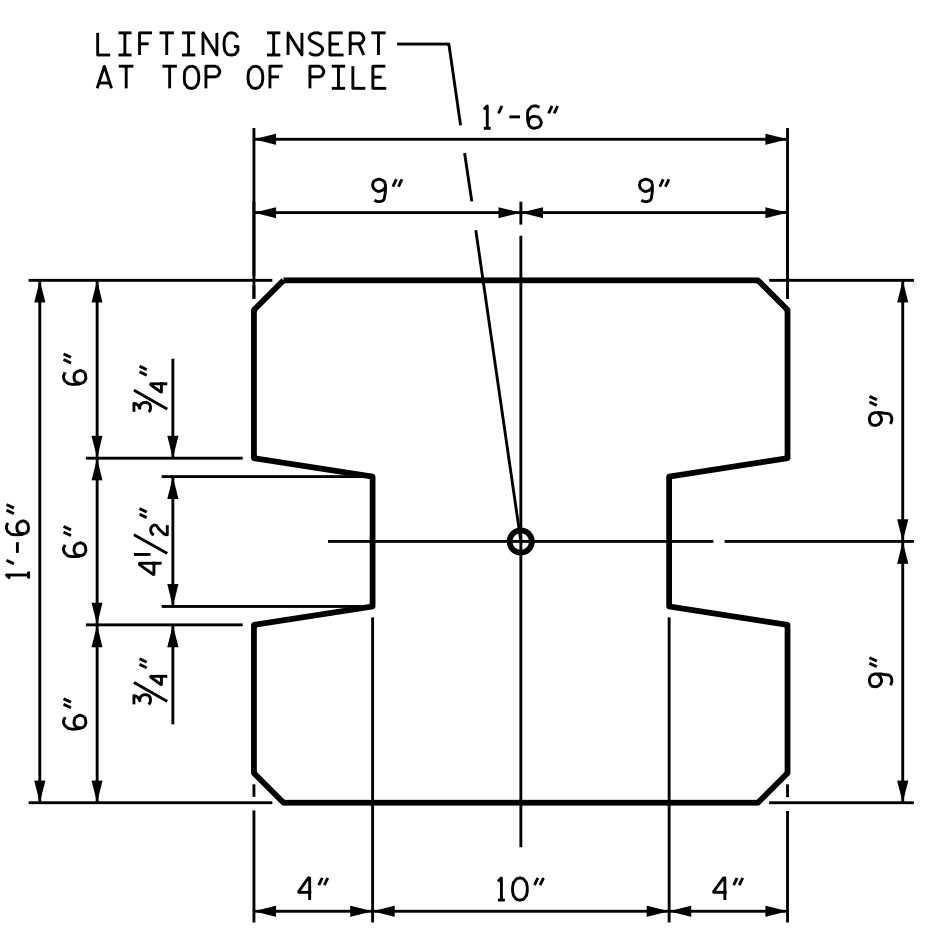
CONCRETE SHIM BLOCK

H = 3", 6" or 1'-0"

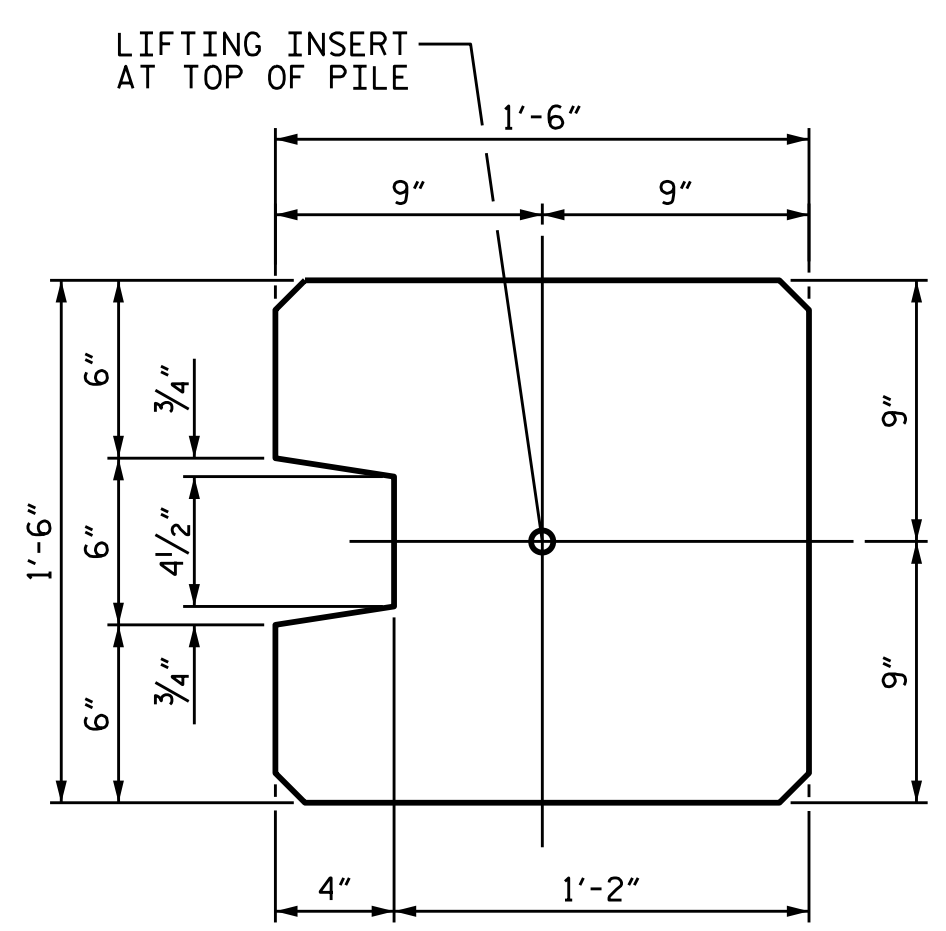


ELASTOMERIC BEARING DETAILS

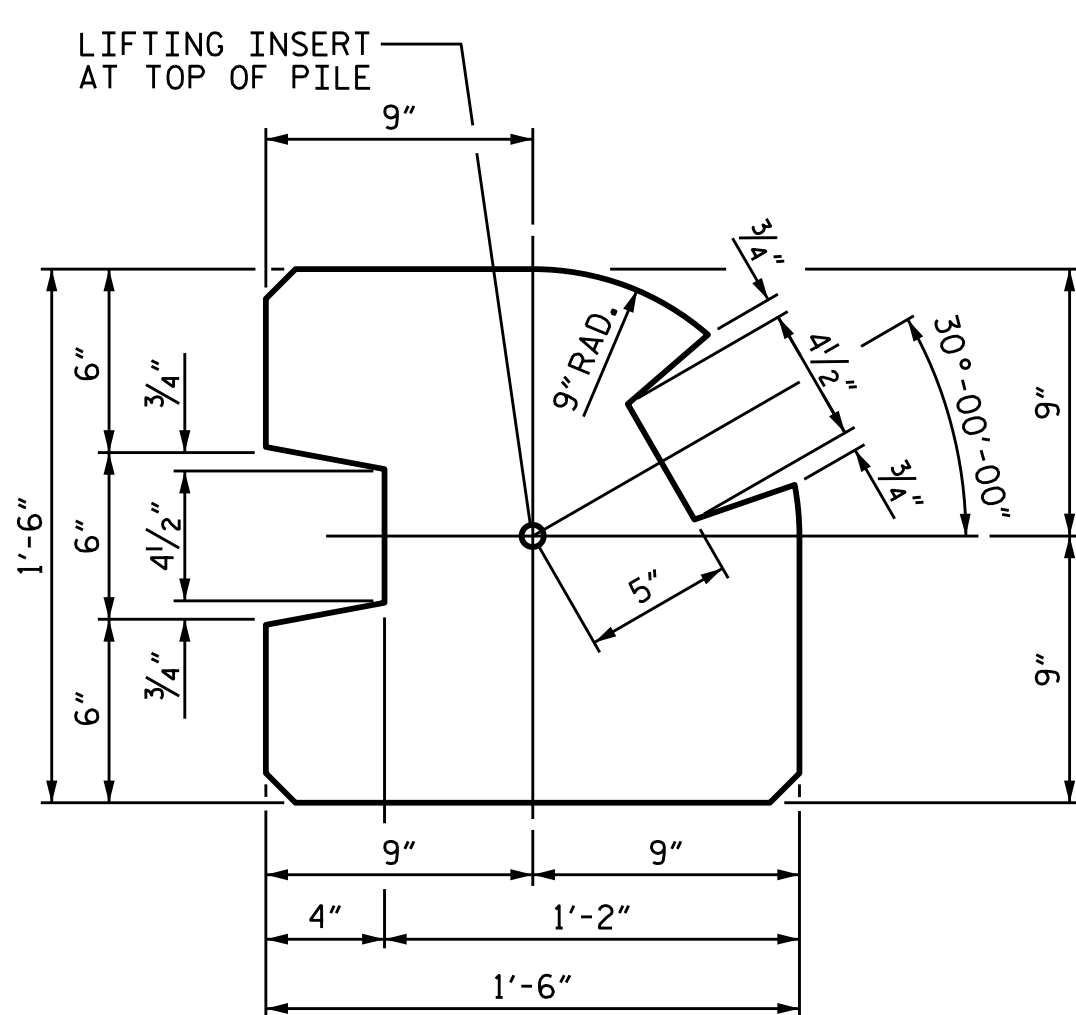
ELASTOMER IN BEARINGS SHALL BE 50 DUROMETER HARDNESS.



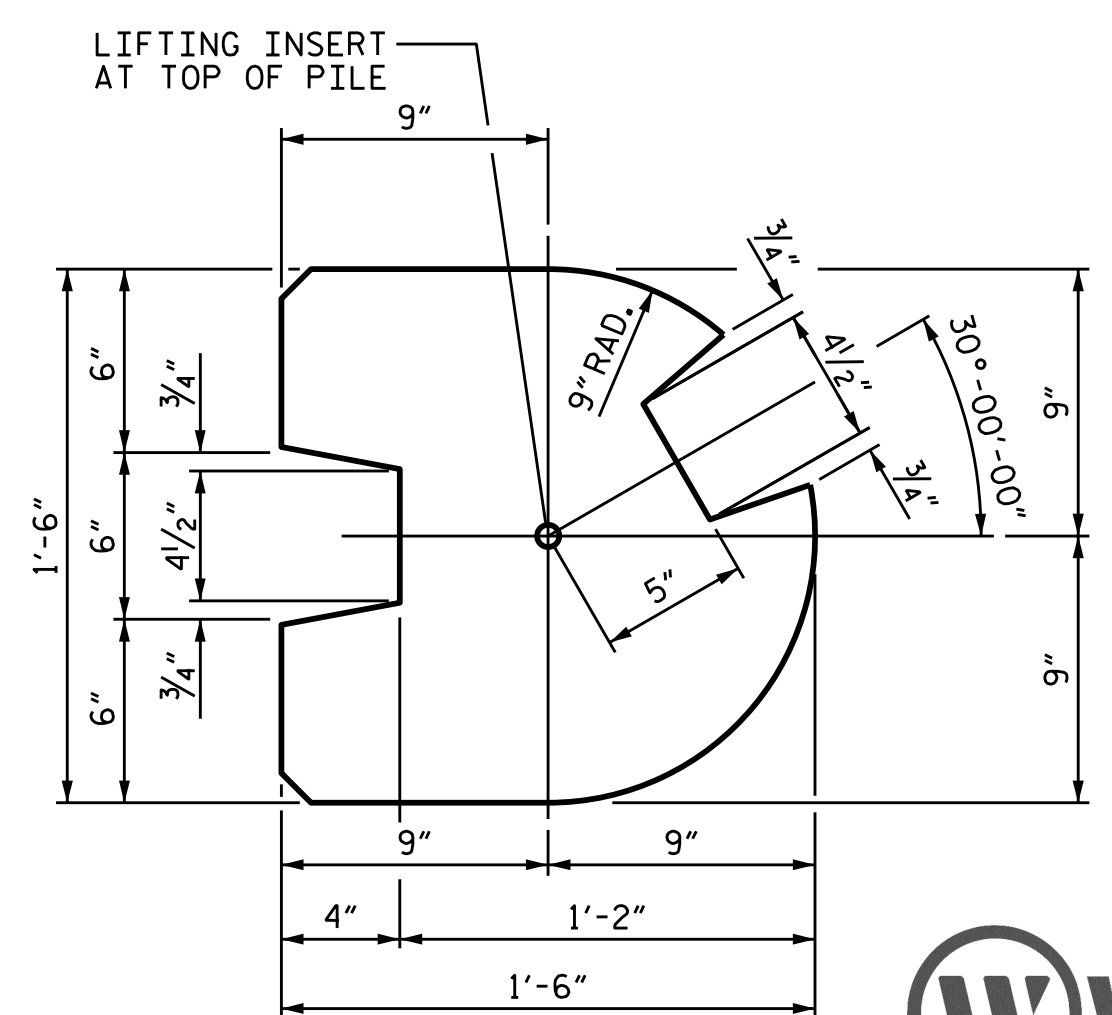
TYPE - I
(AREA = 1.9444 SQ. FT.)



TYPE - II
(AREA = 2.0903 SQ. FT.)



TYPE - III
(AREA = 1.8336 SQ. FT.)



TYPE - III (ALT.)
(AREA = 1.7163 SQ. FT.)

PILE DETAIL

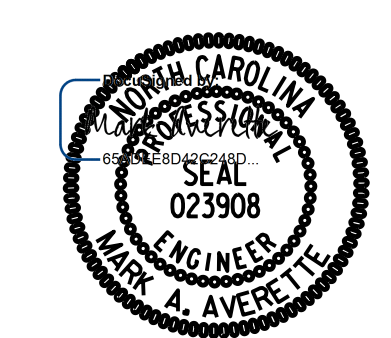
(ALL CORNERS TO BE CHAMFERED 1")

PROJECT NO. I-2513AA/AB
BUNCOMBE COUNTY
 STATION: 63+46.57 -Y-
10+00.00 -NW5A-
 SHEET 2 OF 5

STATE OF NORTH CAROLINA
 DEPARTMENT OF TRANSPORTATION
 RALEIGH

**SOUND BARRIER WALL
 DETAILS
 -NW5A- AND -NW5B-**

WVGI
 5640 Dillard Drive, Suite 200
 Cary, NC 27518
 LICENSURE NO. C-4434



12/14/2023 | 9:46 AM

REVISIONS				SHEET NO.	
NO.	BY:	DATE:	NO.	BY:	DATE:
1			3		
2			4		

TOTAL SHEETS: 5

**DOCUMENT NOT CONSIDERED FINAL
 UNLESS ALL SIGNATURES COMPLETED**

12/14/2023 11:38:39 AM c:\pwworking\king_aecom_ds21_na_2020\d0267668\I2513AAAB_SMU_NW02.dgn

DRAWN BY: T. BANKOVICH DATE: 7-23
 CHECKED BY: M.A. AVERETTE DATE: 7-23
 DESIGN ENGINEER OF RECORD: M.A. AVERETTE DATE: 7-23