

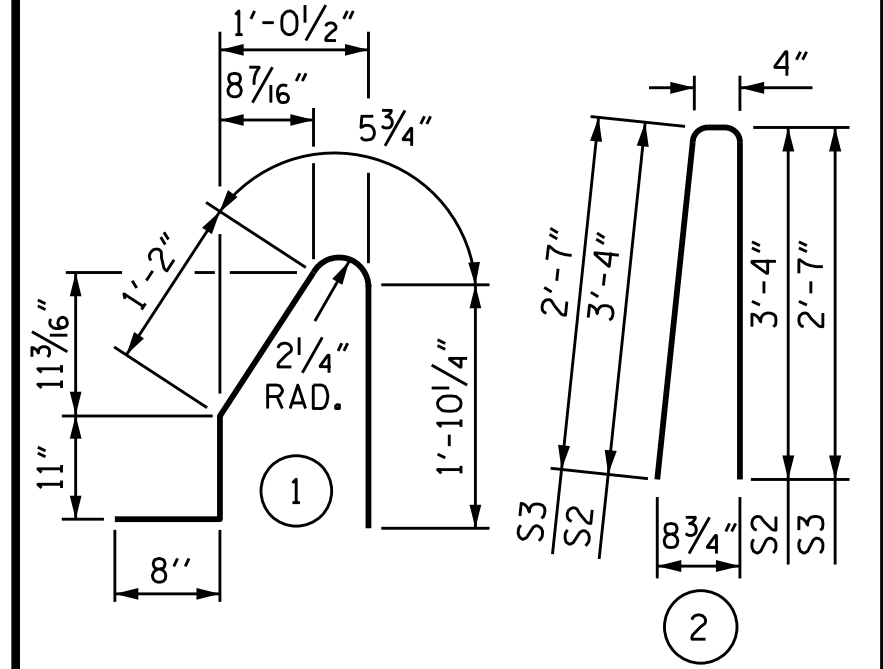
NOTES

THE COST OF THE BARRIER RAIL ON THE APPROACH SLAB SHALL BE INCLUDED IN THE LINEAR FOOT CONTRACT PRICE BID FOR "CONCRETE BARRIER RAIL".

THE BARRIER RAIL ON EACH APPROACH SLAB SHALL NOT BE CAST UNTIL ALL APPROACH SLAB CONCRETE HAS BEEN CAST AND HAS REACHED A MINIMUM COMPRESSIVE STRENGTH OF 3,000 PSI.

ALL REINFORCING STEEL IN BARRIER RAILS SHALL BE EPOXY COATED.

BAR TYPES



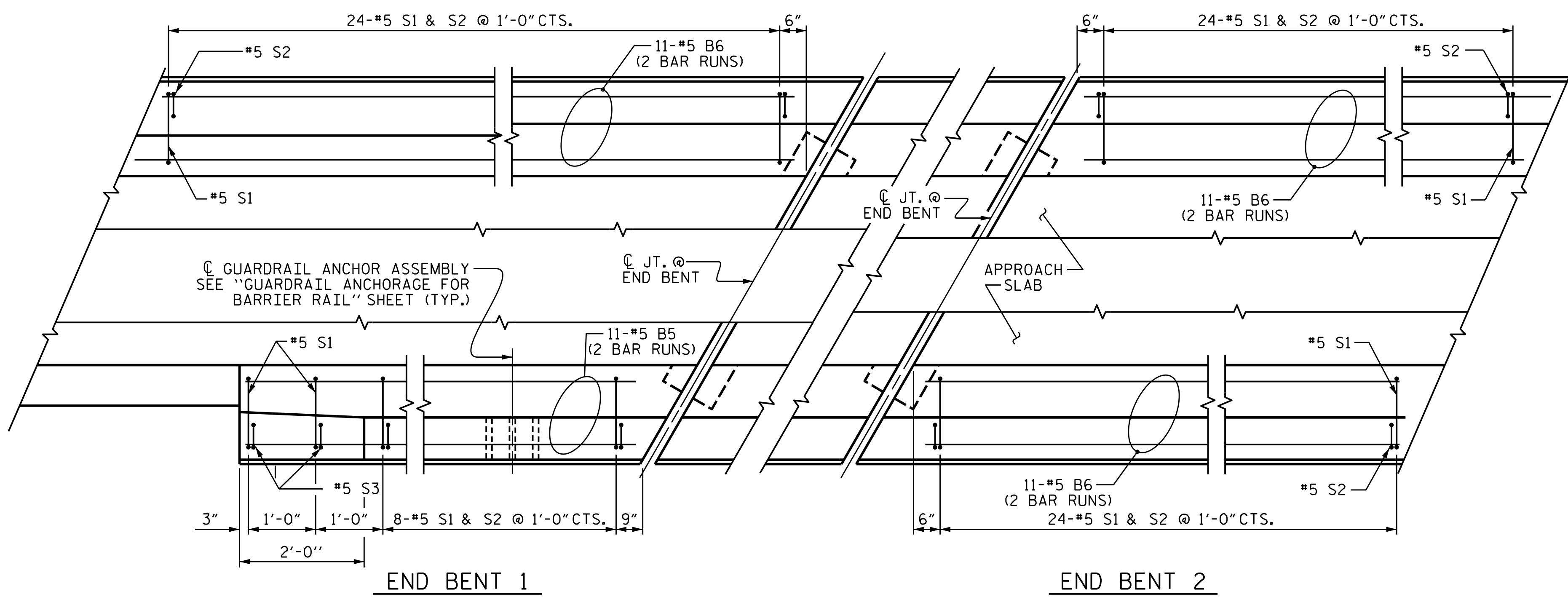
ALL BAR DIMENSIONS ARE OUT TO OUT

BILL OF MATERIAL

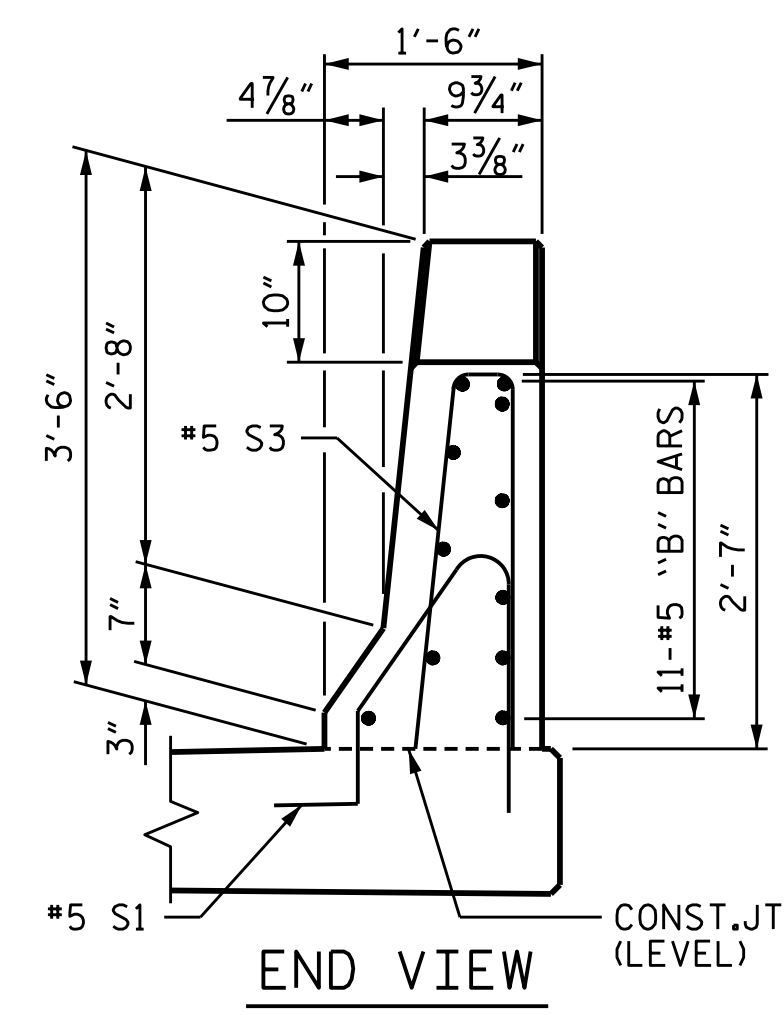
BARRIER RAIL ONLY				
BAR NO.	SIZE	TYPE	LENGTH	WEIGHT
* B5	#5	STR	7'-1"	163
* B6	#5	STR	13'-10"	952
* S1	#5	1	5'-1"	435
* S2	#5	2	7'-0"	584
* S3	#5	2	5'-6"	11
* EPOXY COATED REINFORCING STEEL				2145 LB
CLASS AA CONCRETE				10.8 CY
CONCRETE BARRIER RAIL				85.0

SPLICE CHART BARRIER RAIL

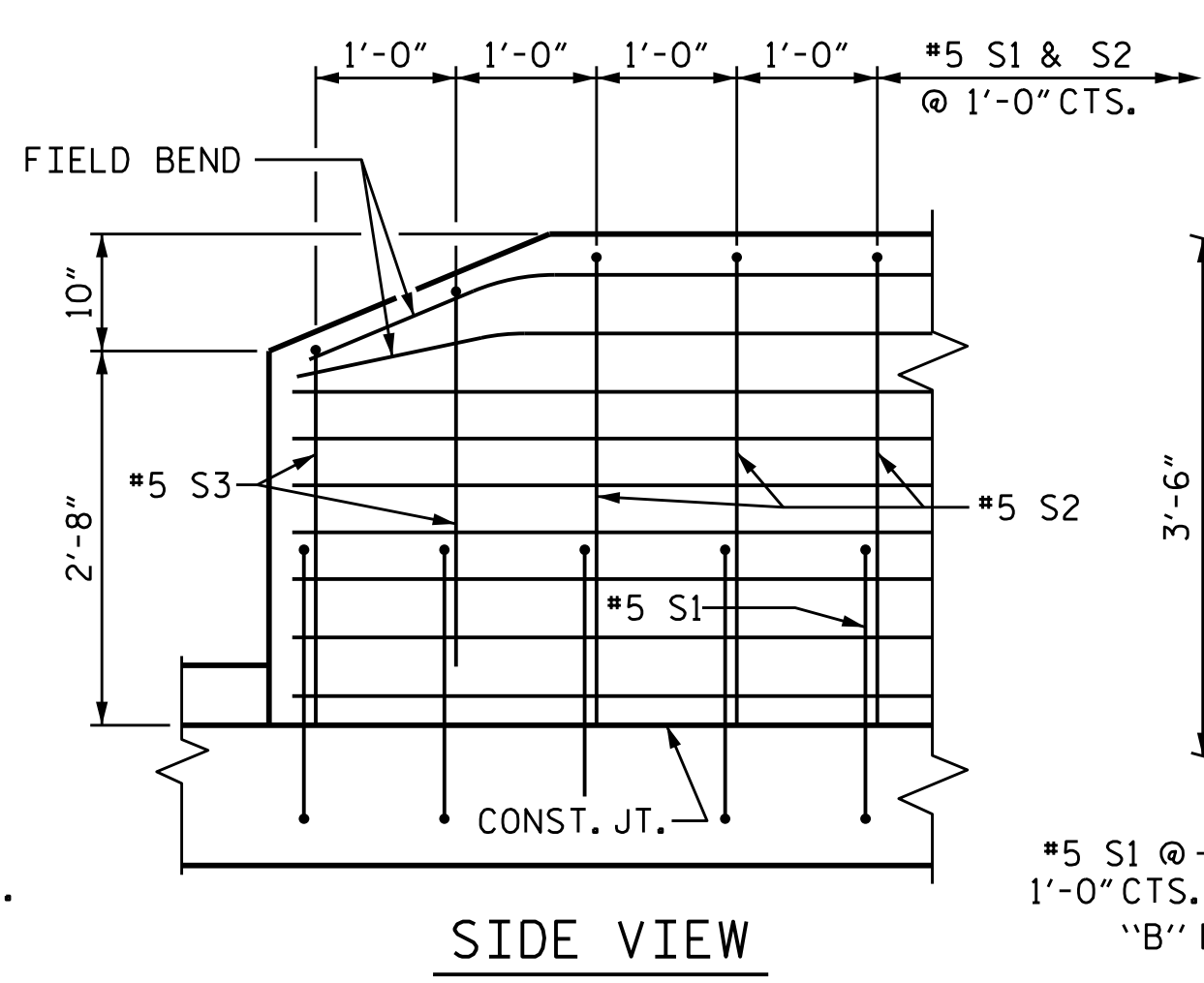
BAR SIZE	EPOXY COATED
#5	3'-1"



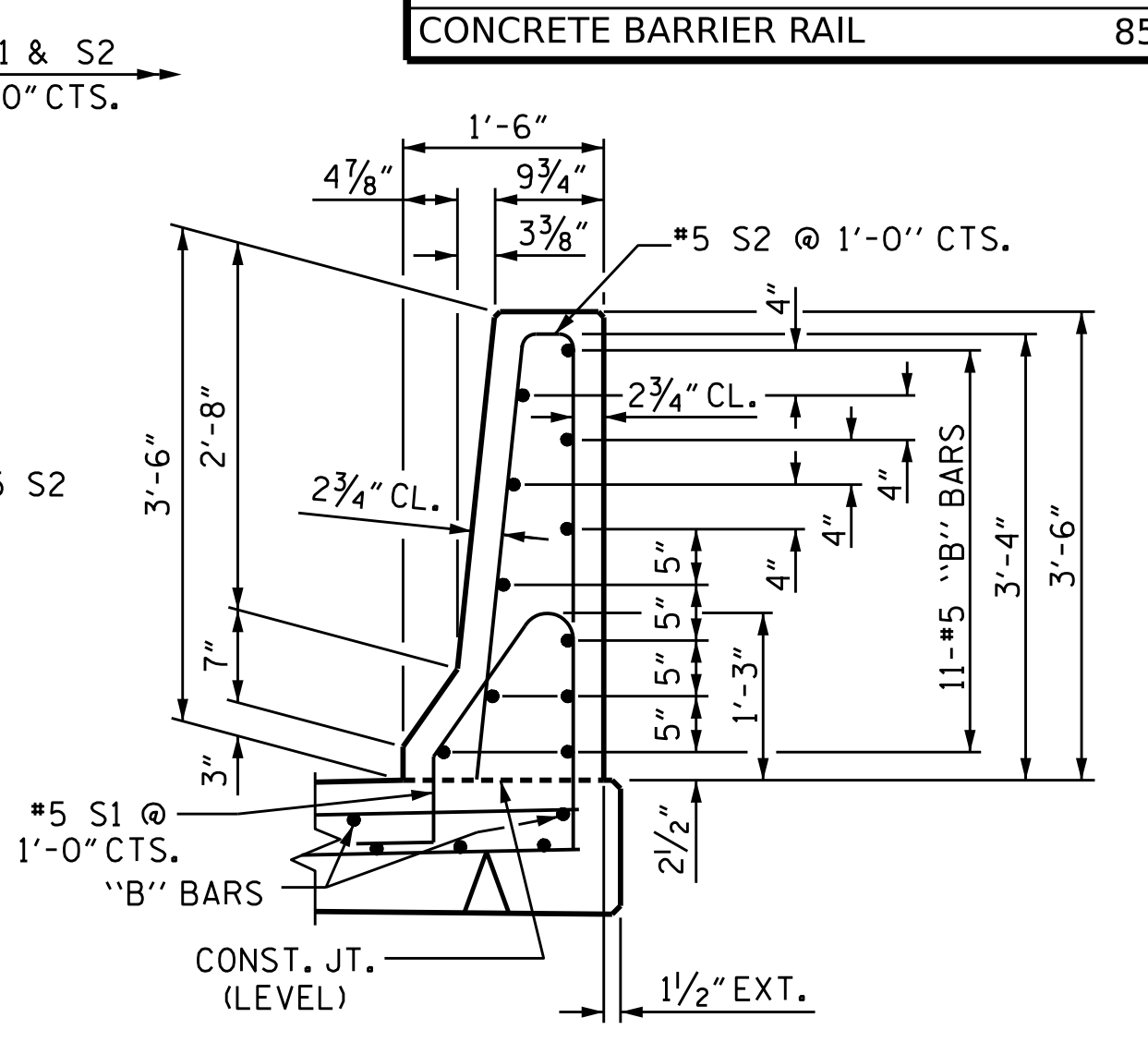
PLAN OF BARRIER RAIL



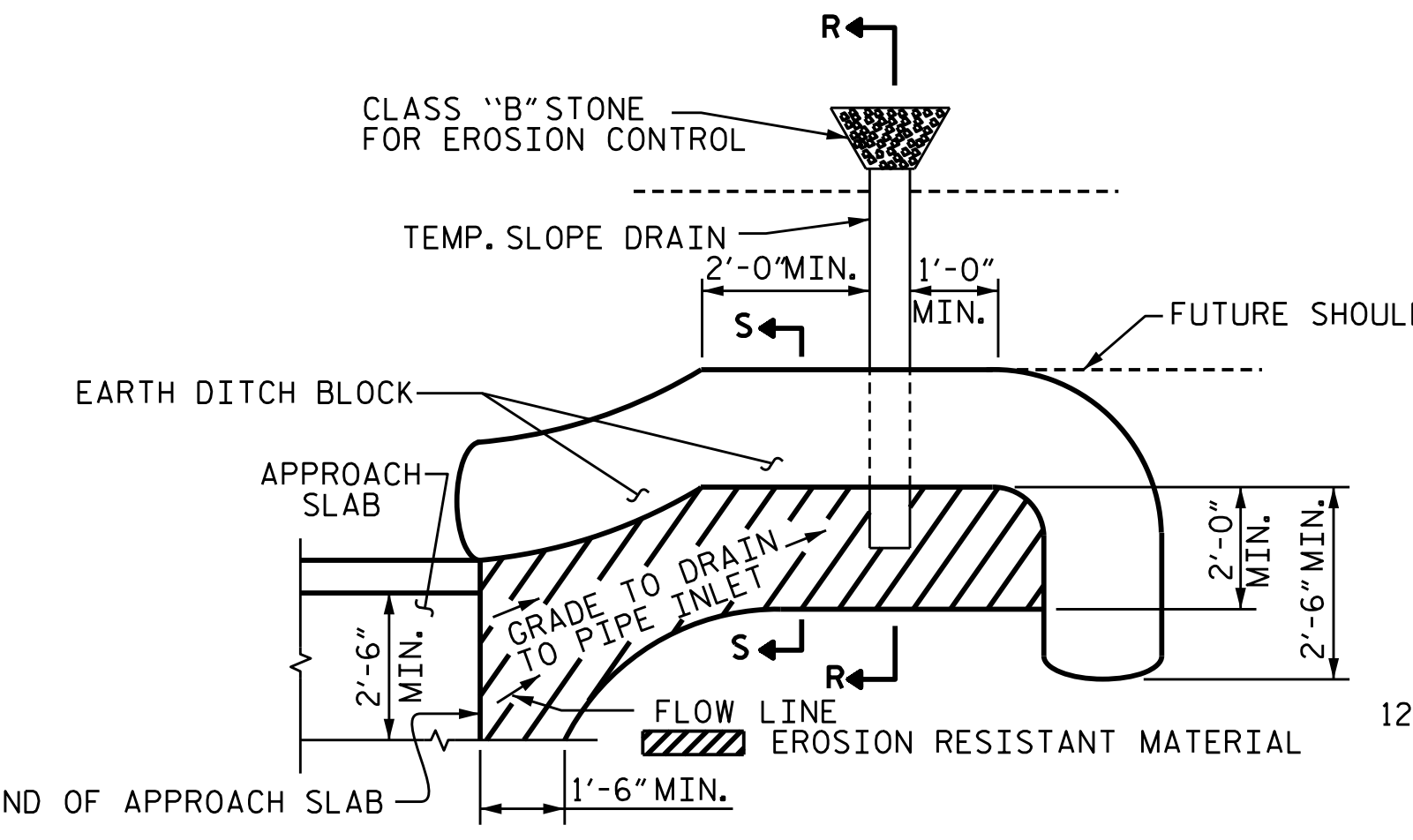
END VIEW



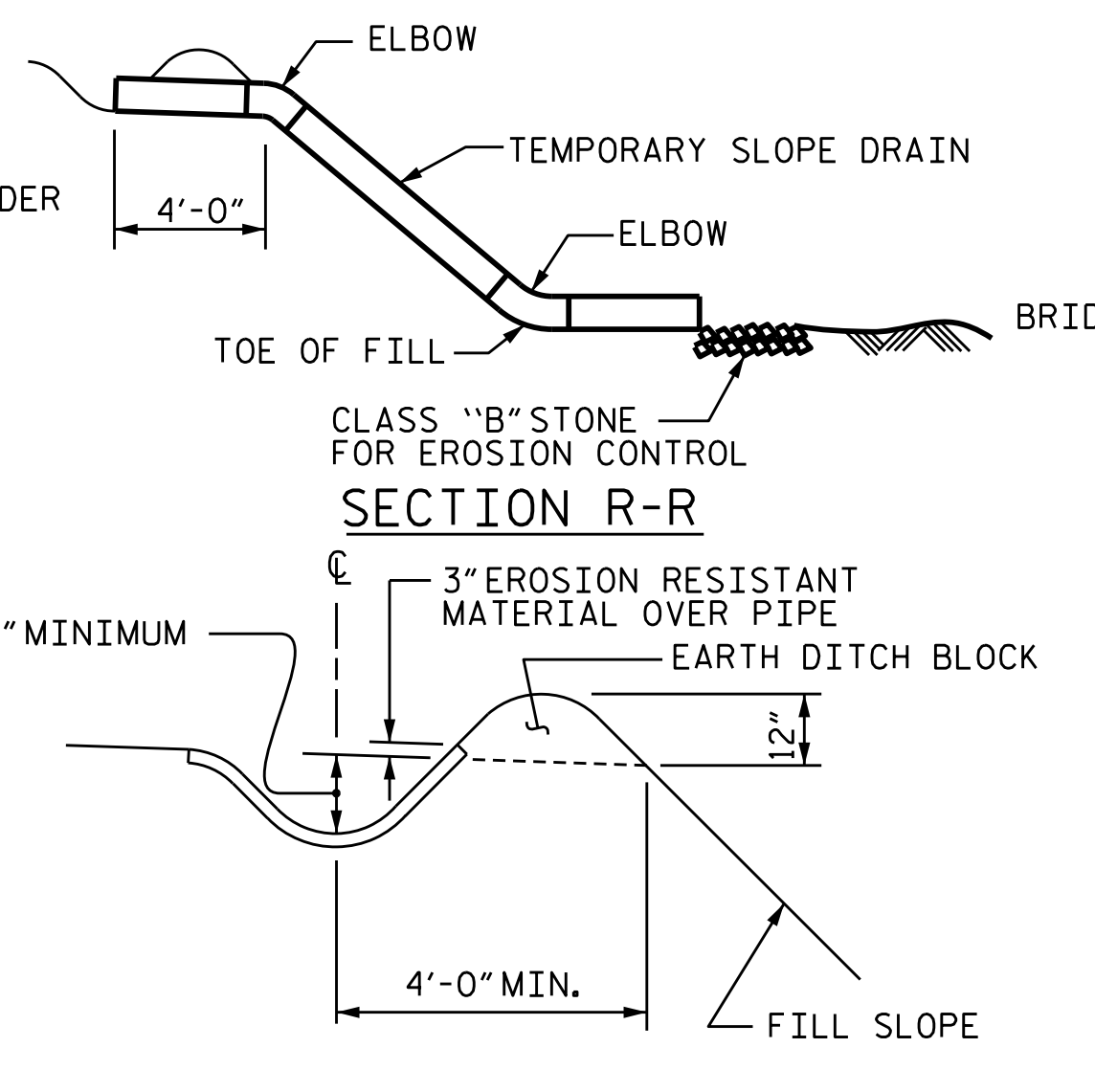
SIDE VIEW



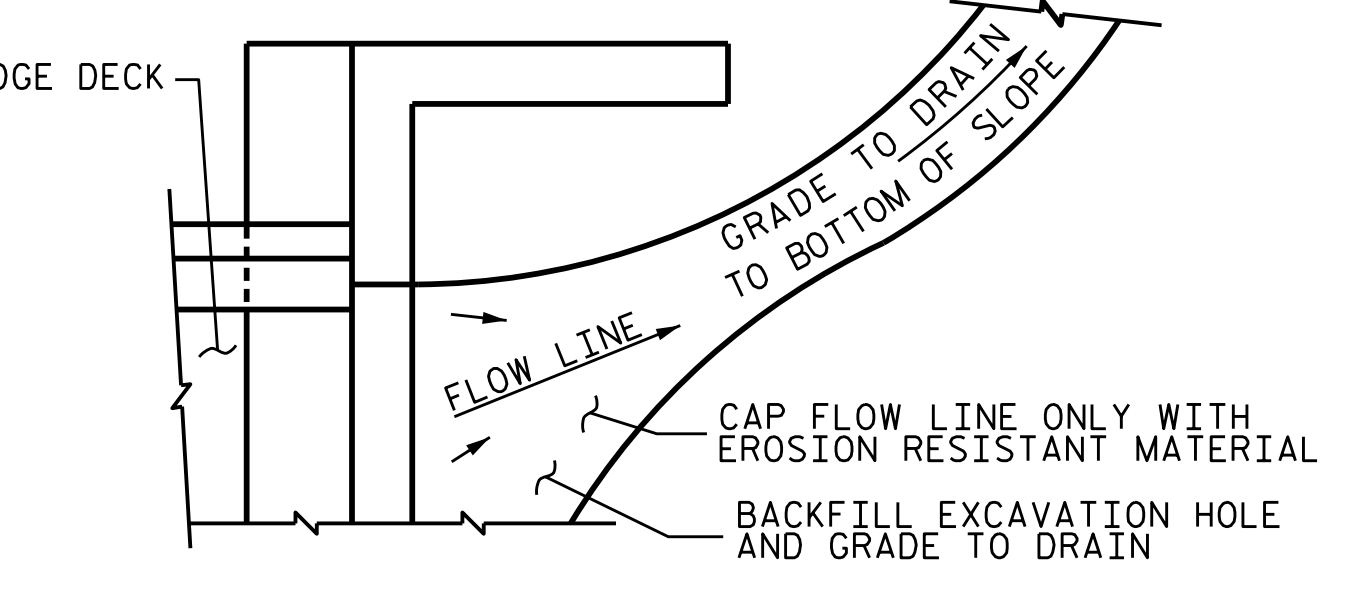
SECTION THRU RAIL



PLAN VIEW



SECTION S-S



TEMPORARY DRAINAGE DETAIL

NOTE: IF THE APPROACH SLAB IS NOT CONSTRUCTED IMMEDIATELY AFTER THE BACKFILLING OF THE END BENT EXCAVATION, GRADE TO DRAIN TO THE BOTTOM OF THE SLOPE AND PROVIDE EROSION RESISTANT MATERIAL, SUCH AS FIBERGLASS ROVING OR AS DIRECTED BY THE ENGINEER TO PREVENT SOIL EROSION AND TO PROTECT THE AREA ADJACENT TO THE STRUCTURE. THE CONTRACTOR WILL BE REQUIRED TO REMOVE THESE MATERIALS PRIOR TO CONSTRUCTION OF THE APPROACH SLAB.

TEMPORARY BERM AND SLOPE DRAIN DETAILS

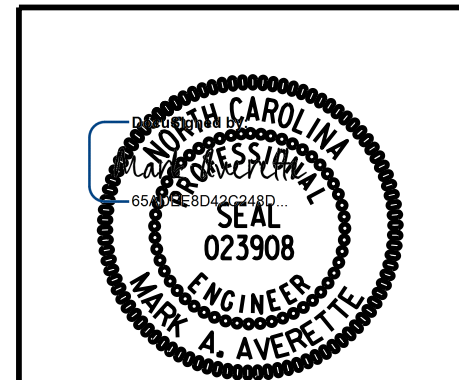
(TO BE USED WHEN SHOULDER BERM GUTTER IS REQUIRED)

PROJECT NO. I-2513AA/AB
 BUNCOMBE COUNTY
 STATION: 20+16.70 -Y5RPA-

SHEET 3 OF 3

STATE OF NORTH CAROLINA
 DEPARTMENT OF TRANSPORTATION
 RALEIGH

BRIDGE APPROACH SLAB DETAILS



REVISIONS				SHEET NO.	
NO.	BY:	DATE:	NO.	BY:	DATE:
1			3		
2			4		

DRAWN BY : S.D. COOPER DATE : 12-23
 CHECKED BY : M.A. AVERETTE DATE : 12-23
 DESIGN ENGINEER OF RECORD: M.A. AVERETTE DATE : 12-23

LICENSURE NO. C-4434
 DOCUMENT NOT CONSIDERED FINAL
 UNLESS ALL SIGNATURES COMPLETED

12/21/2023 1:50:24 PM c:\pwworking\cecom_ds21_na_2020\d0252774\I2513AA_SMU_AS3_100902.dgn