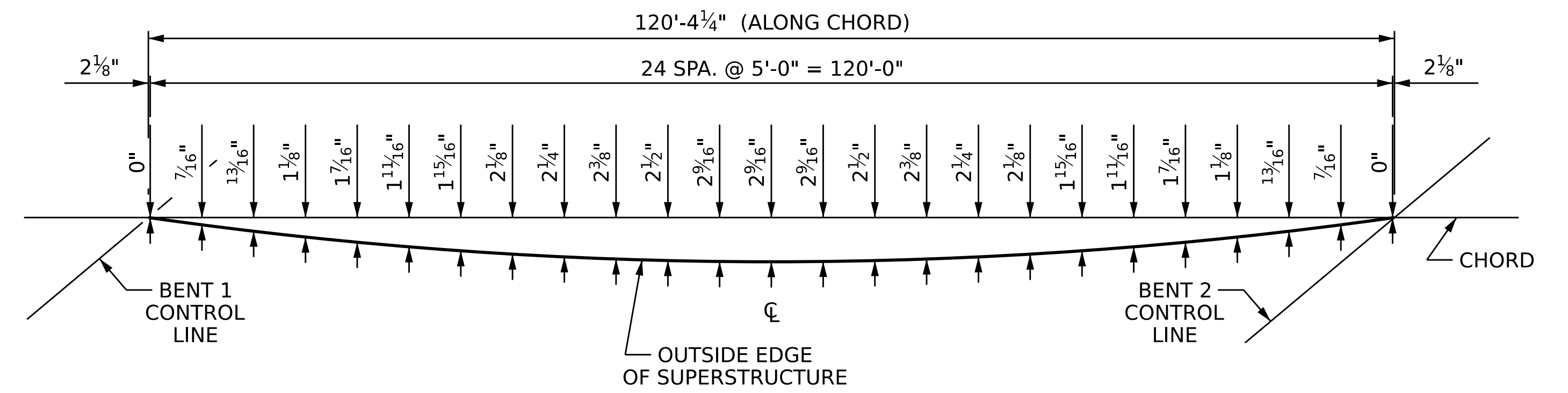
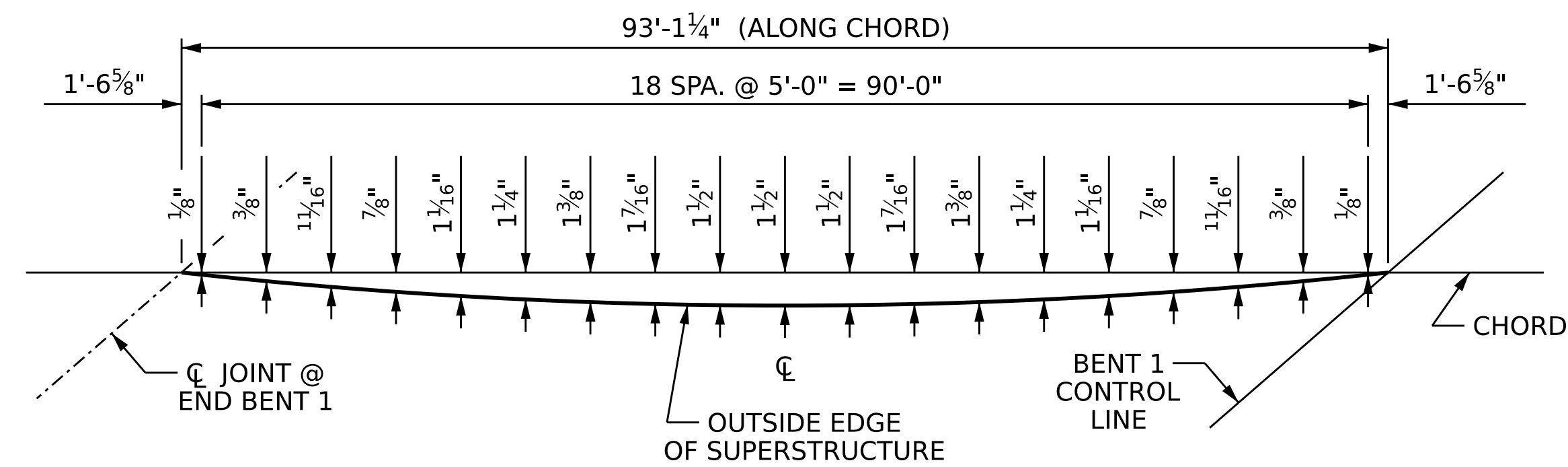


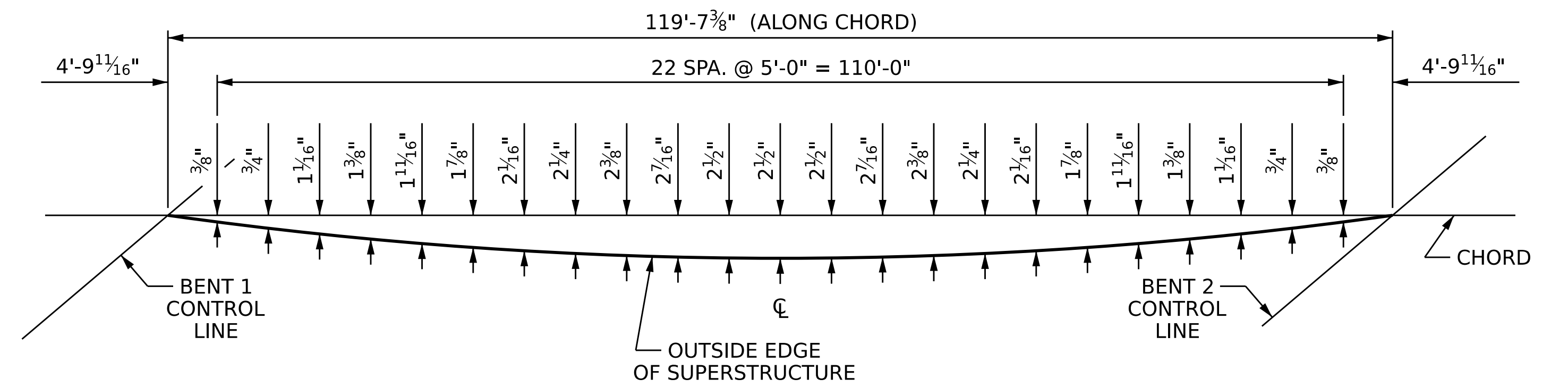
SPAN A ARC OFFSETS (LT SIDE)



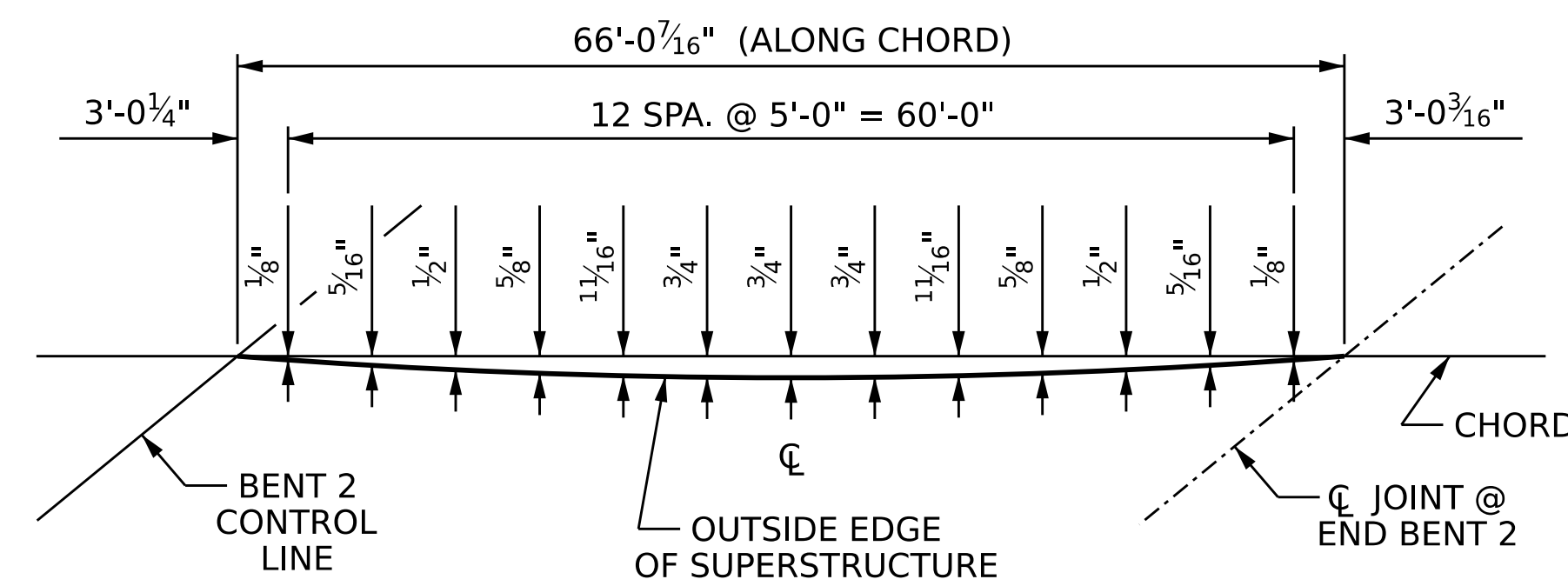
SPAN B ARC OFFSETS (LT SIDE)



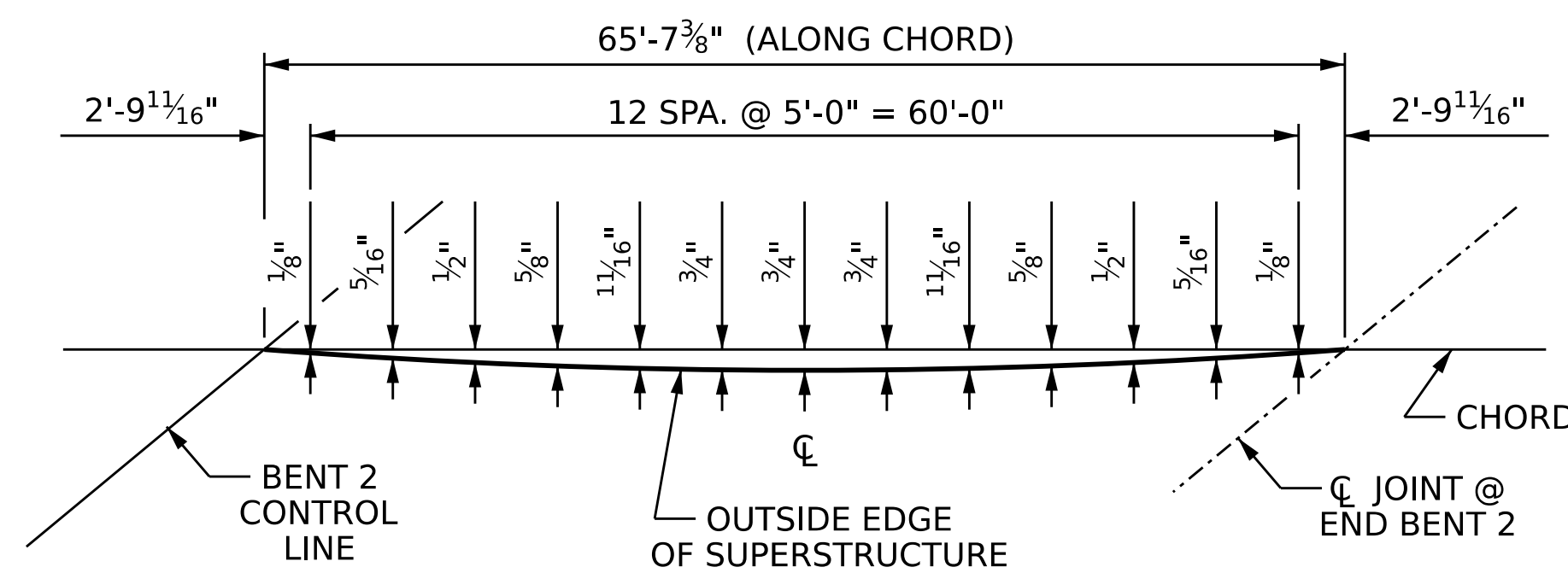
SPAN A ARC OFFSETS (RT SIDE)



SPAN B ARC OFFSETS (RT SIDE)



SPAN C ARC OFFSETS (LT SIDE)

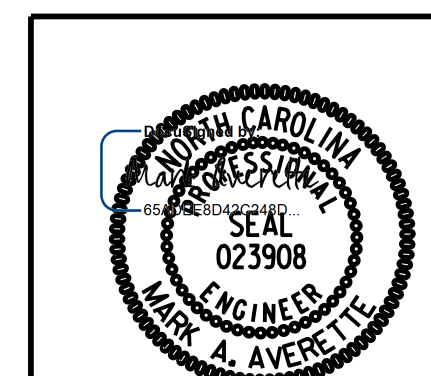


SPAN C ARC OFFSETS (RT SIDE)

PROJECT NO. I-2513AA/AB
BUNCOMBE COUNTY
 STATION: 20+16.70 -Y5RPA-

STATE OF NORTH CAROLINA
 DEPARTMENT OF TRANSPORTATION
 RALEIGH
 SUPERSTRUCTURE

ARC OFFSETS



12/21/2023 | 11:09 AM PST

DRAWN BY : T. BANKOVICH DATE : 12-23
 CHECKED BY : M.A. AVERETTE DATE : 12-23
 DESIGN ENGINEER OF RECORD: M.A. AVERETTE DATE : 12-23

REVISIONS						SHEET NO.
NO.	BY:	DATE:	NO.	BY:	DATE:	5-15
1			3			TOTAL SHEETS
2			4			49

LICENSURE NO. C-4434
**DOCUMENT NOT CONSIDERED FINAL
 UNLESS ALL SIGNATURES COMPLETED**

12/21/2023 1:48:20 PM c:\pwworking\cecom_ds21_na_2020\d0252774\I2513AA_SMU_ARC1_100902.dgn