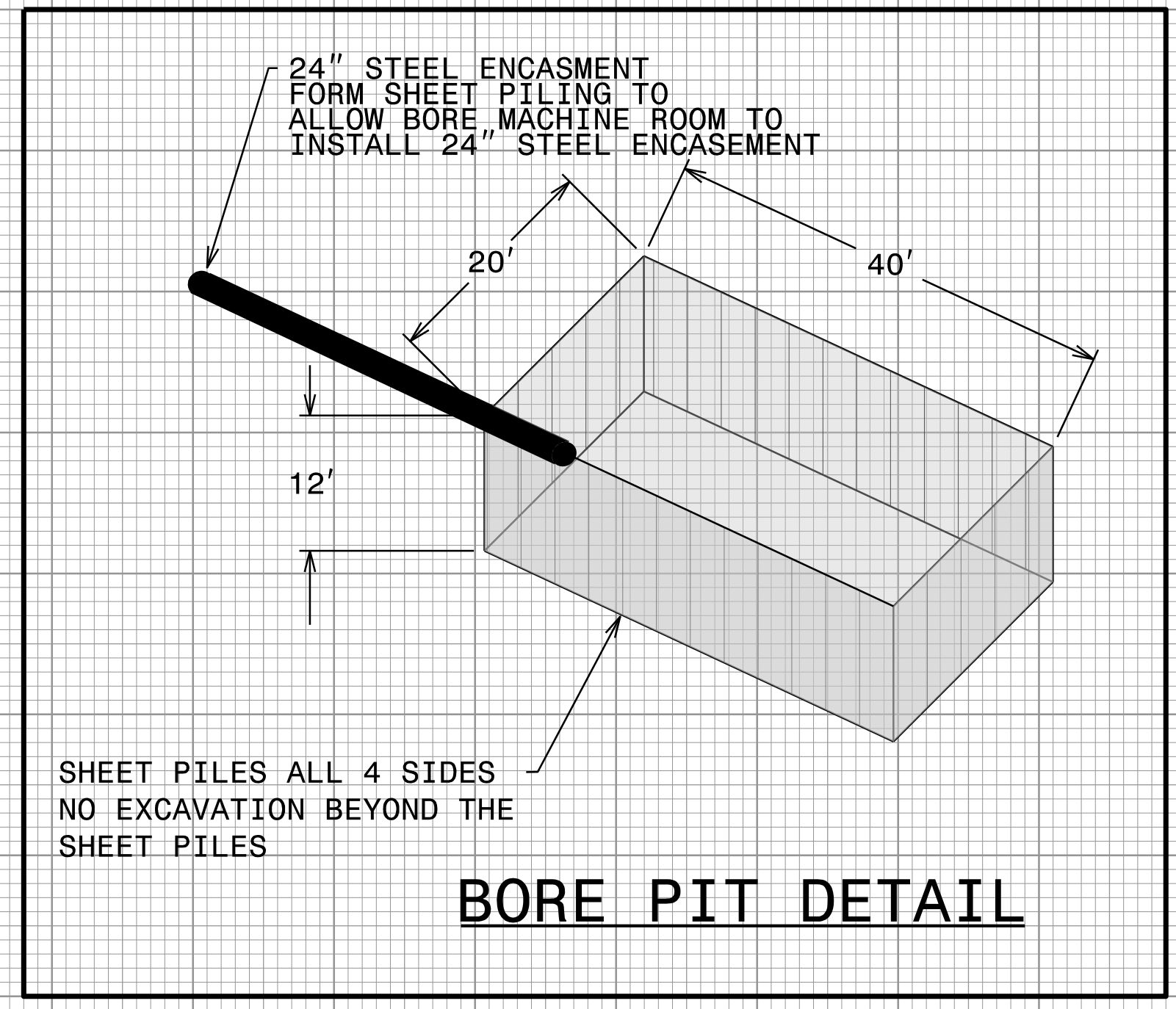
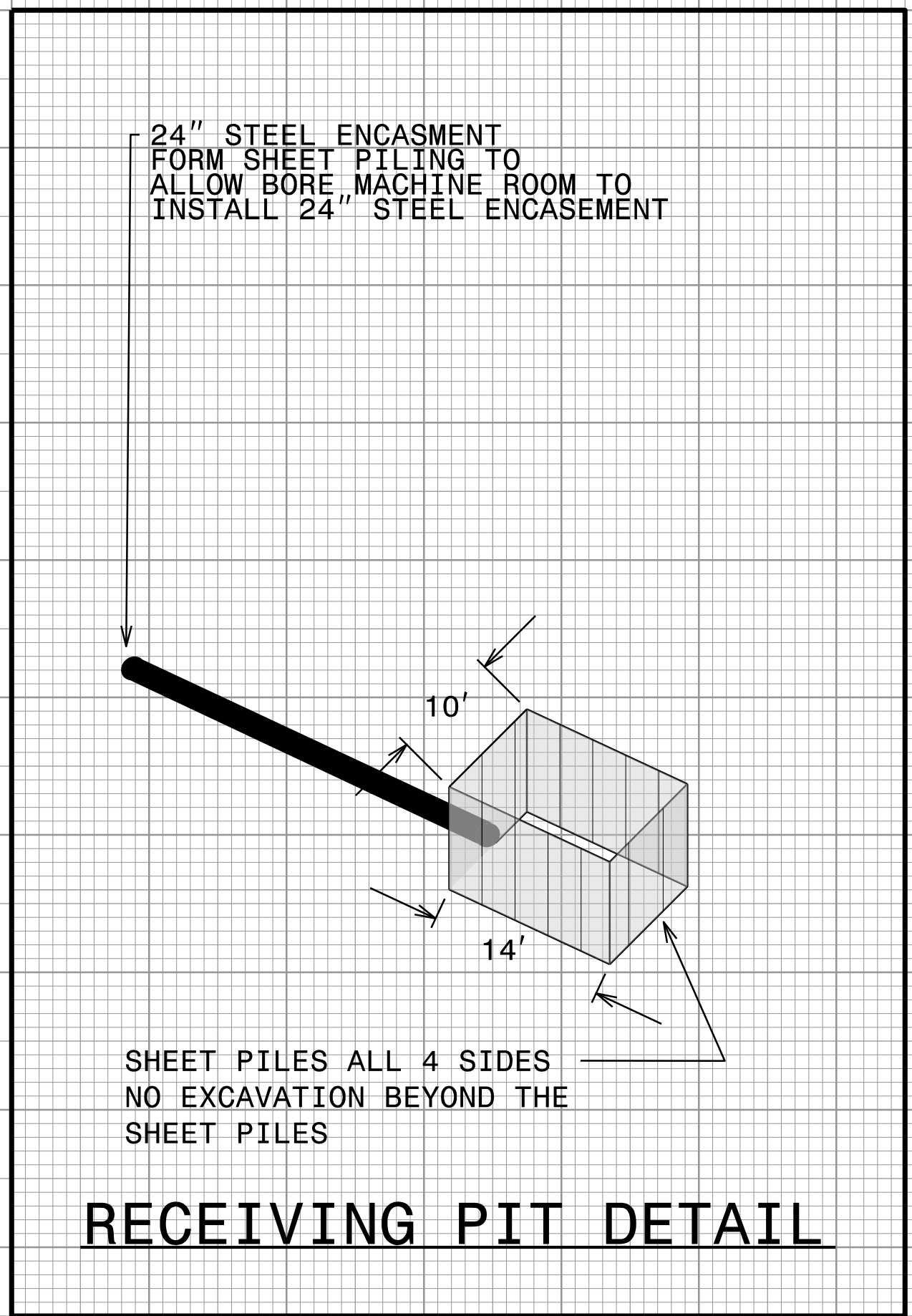
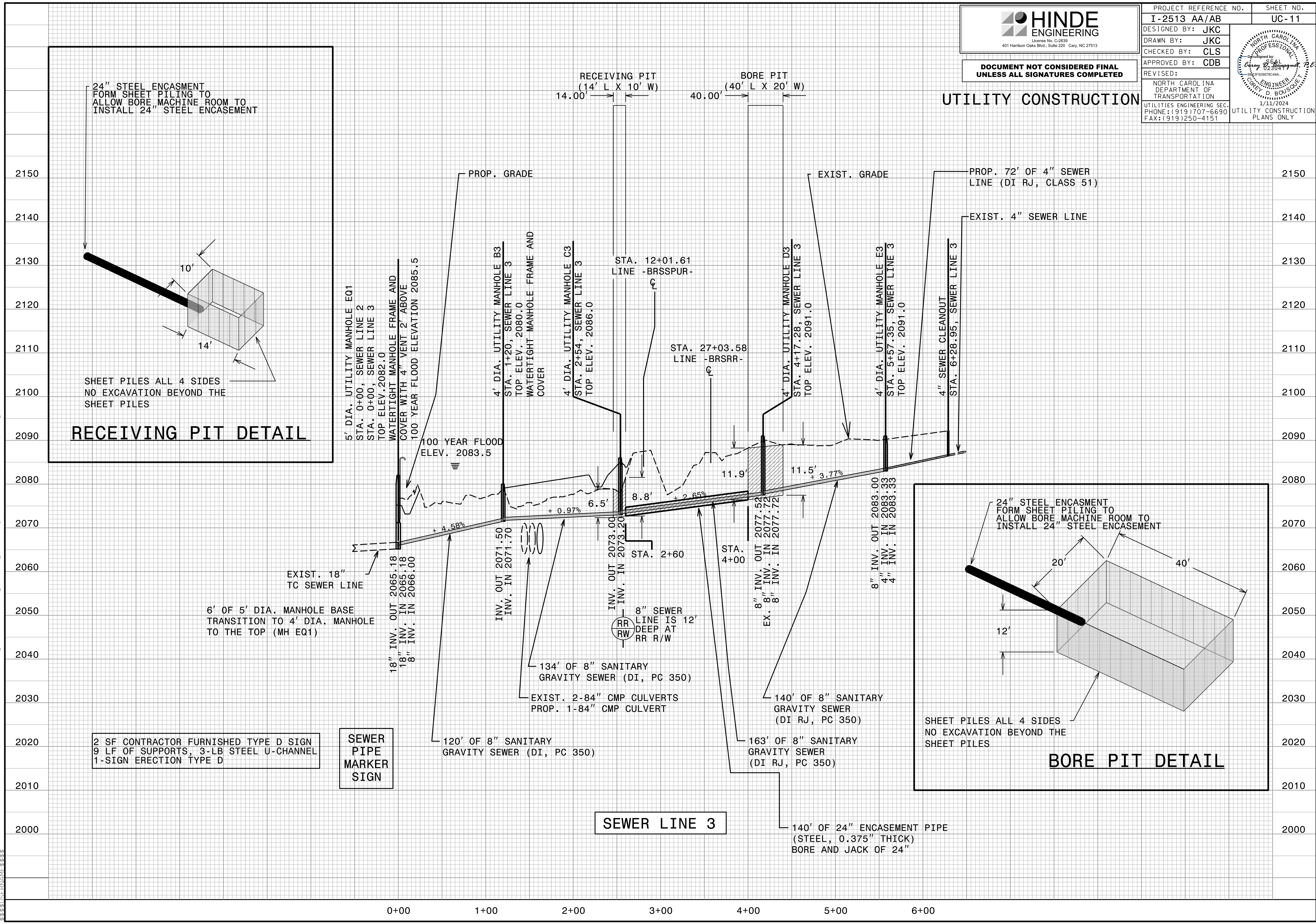


**DOCUMENT NOT CONSIDERED FINAL
UNLESS ALL SIGNATURES COMPLETED**

UTILITY CONSTRUCTION



2 SF CONTRACTOR FURNISHED TYPE D SIGN
 9 LF OF SUPPORTS, 3-LB STEEL U-CHANNEL
 1-SIGN ERECTION TYPE D

SEWER PIPE MARKER SIGN

SEWER LINE 3

I:\AN-2024\1051\PROJECTS\2020\A2020\001\00_AECOM\I-2513AA&AB\Design\Utilities\Engineering\UC\Proc\12513AA_ut_e_pfl_UC11_psh.dgn
 1/11/2024 11:11:11 AM