

EXISTING NCDOT SPLICE ENCLOSURE AT PATTON AVENUE AND HAYWOOD ROAD (SEE ITS 23 FOR LOCATION)

EXISTING 60 SMFO CABLE TO SAND HILL ROAD (13-0404)

EXISTING IDROP TO 13-0214

COLOR CODE
TIA/EIA 598-C

(1) BLUE	(7) RED
(2) ORANGE	(8) BLACK
(3) GREEN	(9) YELLOW
(4) BROWN	(10) VIOLET
(5) SLATE	(11) ROSE
(6) WHITE	(12) AQUA

LEGEND

X - FUSION SPLICE INDIVIDUAL FIBER
 O - EXISTING SPLICE
 □ - EXPRESS INDIVIDUAL FIBER

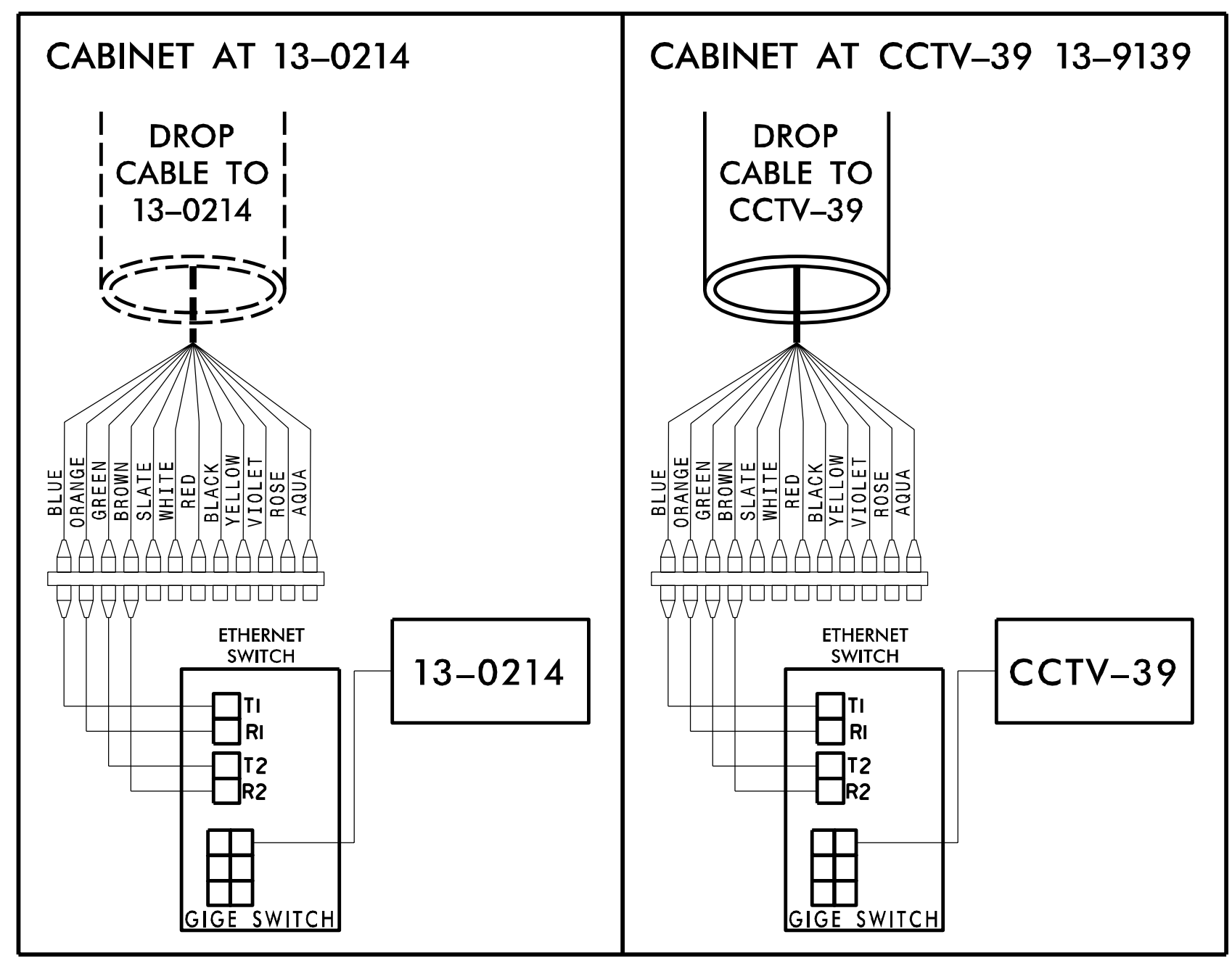
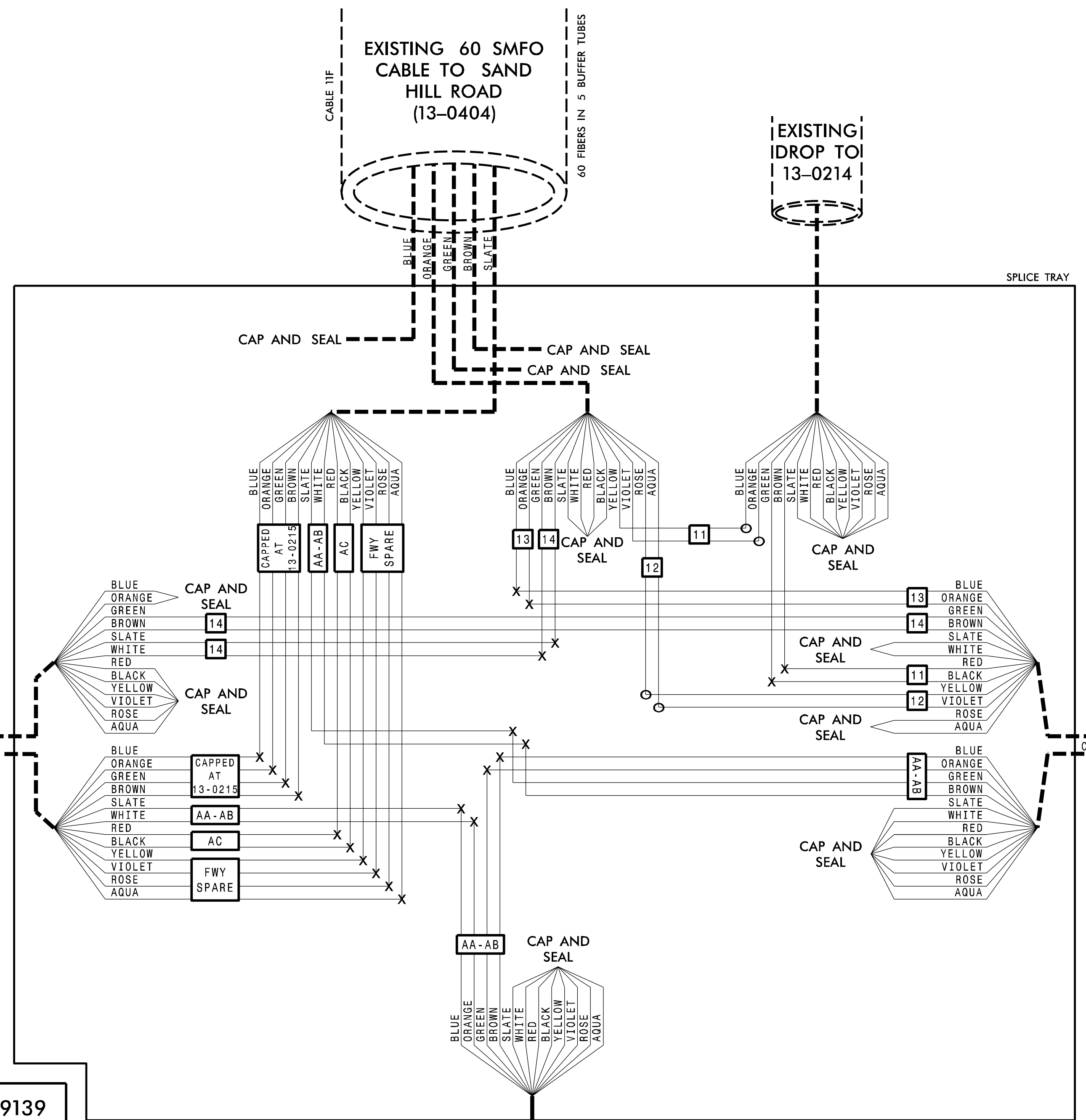
EXPRESS - EXPRESS ENTIRE BUFFER TUBE
 SPLICE - SPLICE ENTIRE BUFFER TUBE OR MAINTAIN IF EXISTING EXPRESSED

NOTES:

- FIBER INTERCONNECT CENTER RACKS ARE SCHEMATIC ONLY - ACTUAL EQUIPMENT FORM MAY VARY.
- ETHERNET SWITCH TERMINATION CONFIGURATIONS ARE GENERIC. CONTRACTOR IS RESPONSIBLE FOR DETERMINING /ENSURING PROPER TERMINATION.
- CONTRACTOR IS RESPONSIBLE FOR FIELD VERIFYING EXISTING SPLICING. THE CONTRACTOR SHALL COORDINATE WITH THE ENGINEER WHERE EXISTING SPLICING IS NOT AS EXPECTED.

EXISTING 24 SMFO CABLE TO DEARVIEW ROAD (13-0276)

EXISTING 24 SMFO CABLE TO WILBURN ROAD (13-1129)



EXULT ENGINEERING
 304-F W. Millbrook Rd
 Raleigh, NC 27609
 984.500.5426
 www.exultengineering.com

NCDOT SPLICE

I-2513 Splice Details

DIVISION 13 BUNCOMBE COUNTY ASHEVILLE

PLAN DATE: JANUARY 2024 REVIEWED BY: T. HONEYCUTT

PREPARED BY: M. STANLEY REVIEWED BY: C. DAGERHARDT

REVISIONS	INIT.	DATE

SCALE: 0 NTS

SIGNATURE: _____ DATE: _____

SEAL: NORTH CAROLINA PROFESSIONAL SEAL 043814 ENGINEER TAYLOR A. HONEYCUTT