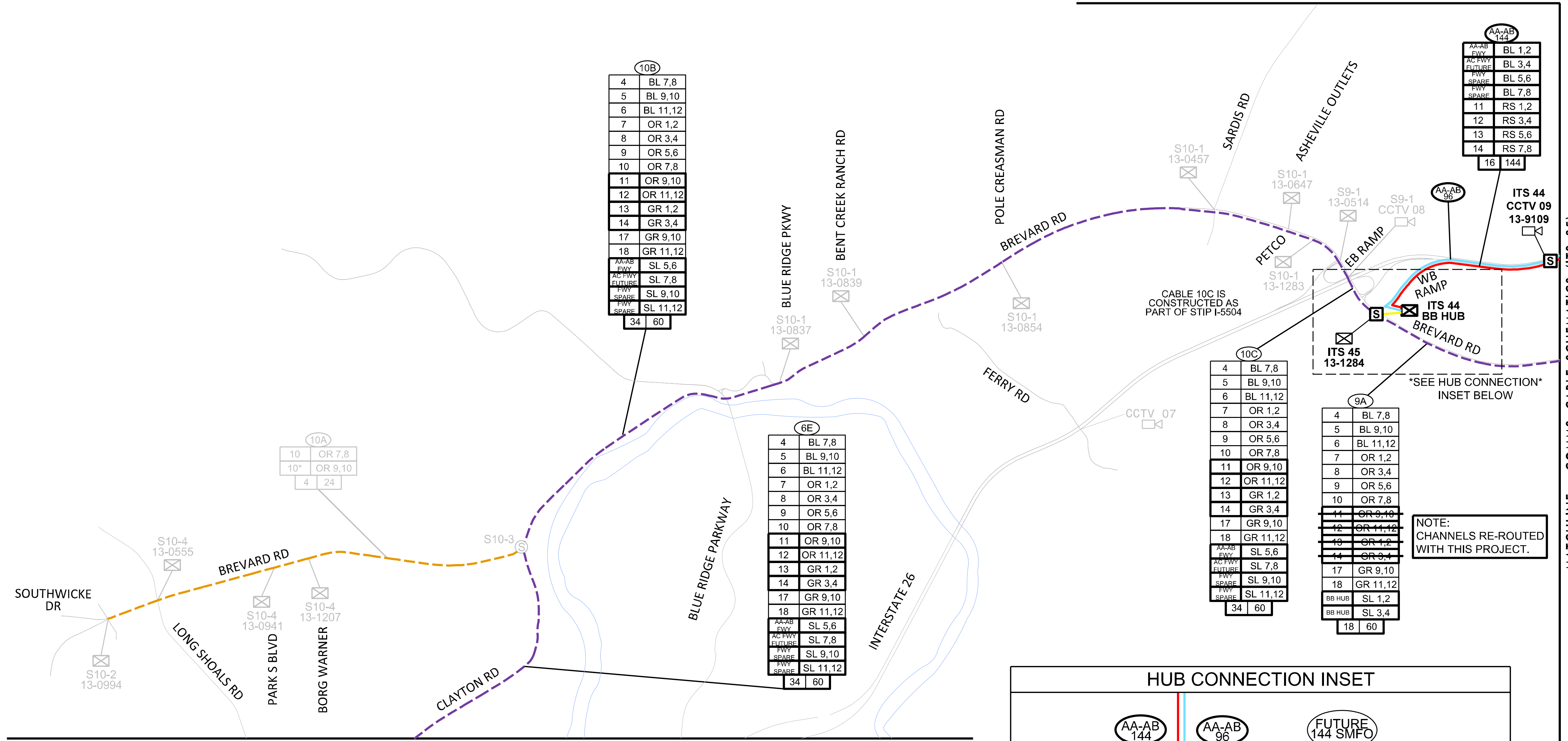
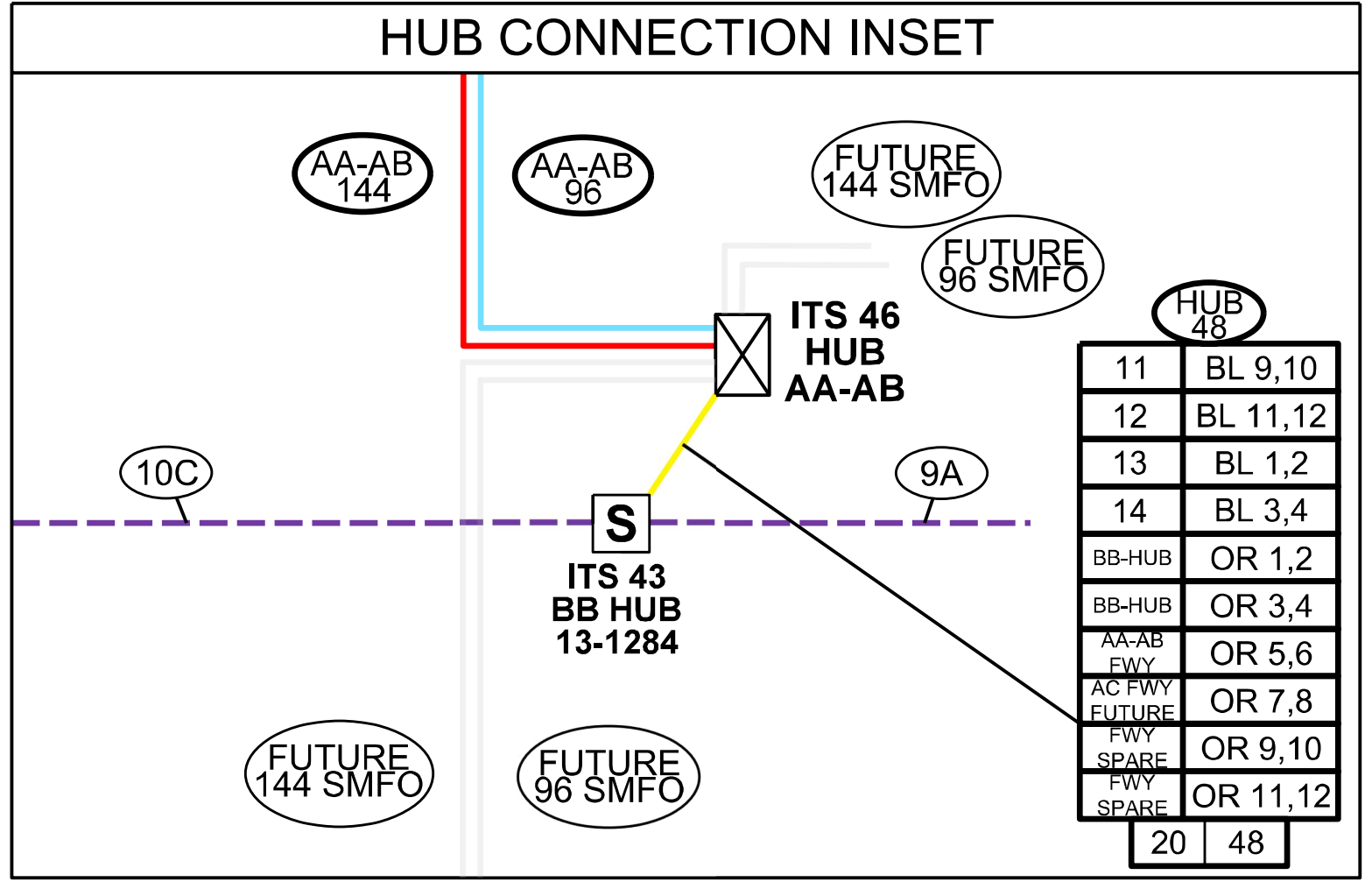


NOTES:
1. EXISTING FIBER-OPTIC CABLE THAT IS NOT USED IS NOT SHOWN.

MATCHLINE - COMMS. CABLE SCHEMATICS (ITS 34)



MATCHLINE - COMMS. CABLE SCHEMATICS (ITS 32)



LEGEND

- S** PROPOSED/MODIFIED CABLE-TO-CABLE SPLICE
- ⊙** CABLE-TO-CABLE SPLICE
- ⊕** END OF CABLE SPLICE (FOR FUTURE SIGNAL)
- ⊗** DROP SPLICE TO SIGNAL CABINET
- ⊘** DROP SPLICE TO CCTV
- ⊙** DROP SPLICE TO SIGNAL CABINET (SHARED SWITCH WITH CCTV)
- EXISTING 24-COUNT FIBER-OPTIC CABLE
- EXISTING 60-COUNT FIBER-OPTIC CABLE
- PROPOSED 48-COUNT FIBER-OPTIC CABLE
- PROPOSED 96-COUNT FIBER-OPTIC CABLE
- PROPOSED 144-COUNT FIBER-OPTIC CABLE
- S#-##** SPLICE NUMBER
- COA-###** CITY SIGNAL INVENTORY NUMBER
- 13-####** STATE SIGNAL INVENTORY NUMBER

CABLE NUMBER

RING I.D.

20	OR 1,2
20*	OR 3,4
21	OR 7,8
21*	OR 9,10
8	36

FIBERS USED FOR EACH RING

TOTAL FIBERS IN CABLE

LIT FIBERS IN CABLE

*** DENOTES SECONDARY PATH**

RING ID SUFFIX:

- F** INDICATES RING ID ROUTE AND FIBER ALLOCATION FOR FUTURE FIBER NETWORK EXPANSION. FIBERS NOT LIT IN THIS PROJECT.
- T** INDICATES TEMPORARY RING ID ROUTE AND FIBER ALLOCATION BEFORE FUTURE FIBER NETWORK EXPANSION. FIBERS TO BE LIT IN THIS PROJECT.

304-F W. Millbrook Rd
Raleigh, NC 27609
984.500.5426
www.exultengineering.com

Plans Prepared For:

STATE OF NORTH CAROLINA
DEPARTMENT OF TRANSPORTATION

I-2513 Splice Schematic

DIVISION 13 BUNCOMBE COUNTY ASHEVILLE

PLAN DATE: JANUARY 2024 REVIEWED BY: T. HONEYCUTT

PREPARED BY: M. STANLEY REVIEWED BY: C. DAGERHARDT

SCALE: 0 NTS

SEAL

TAYLOR A. HONEYCUTT
ENGINEER
043814