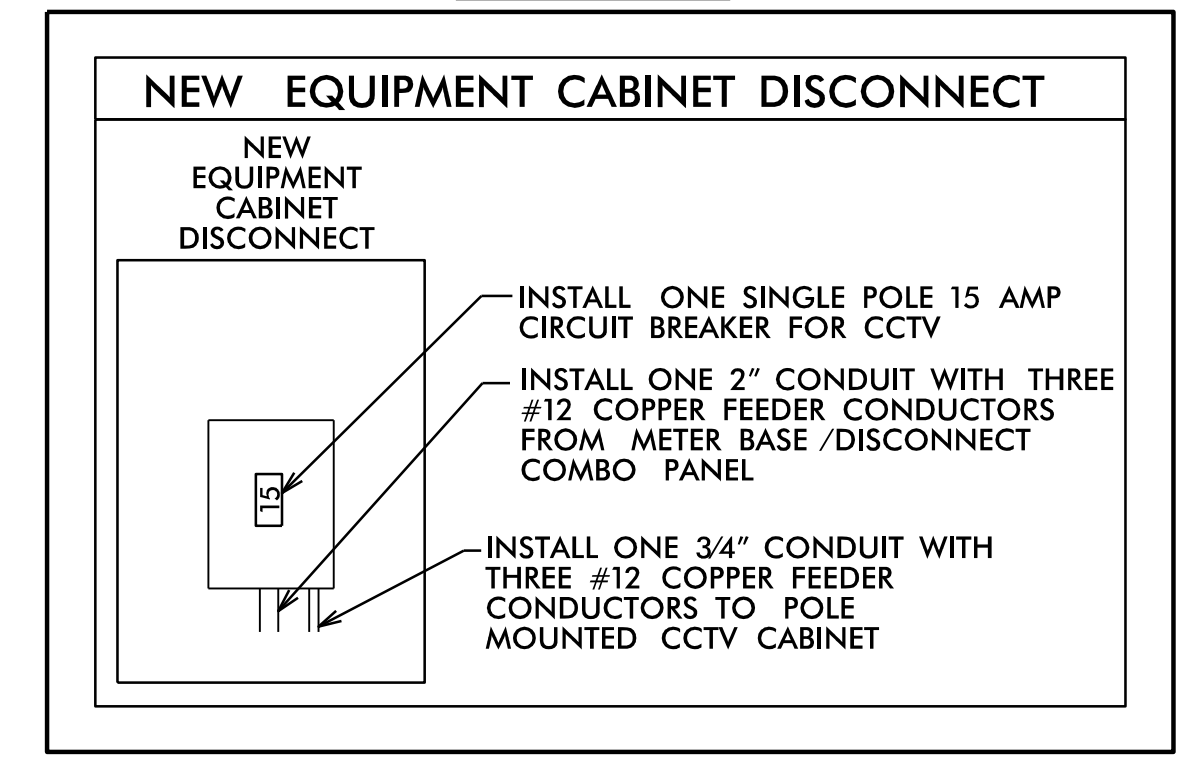
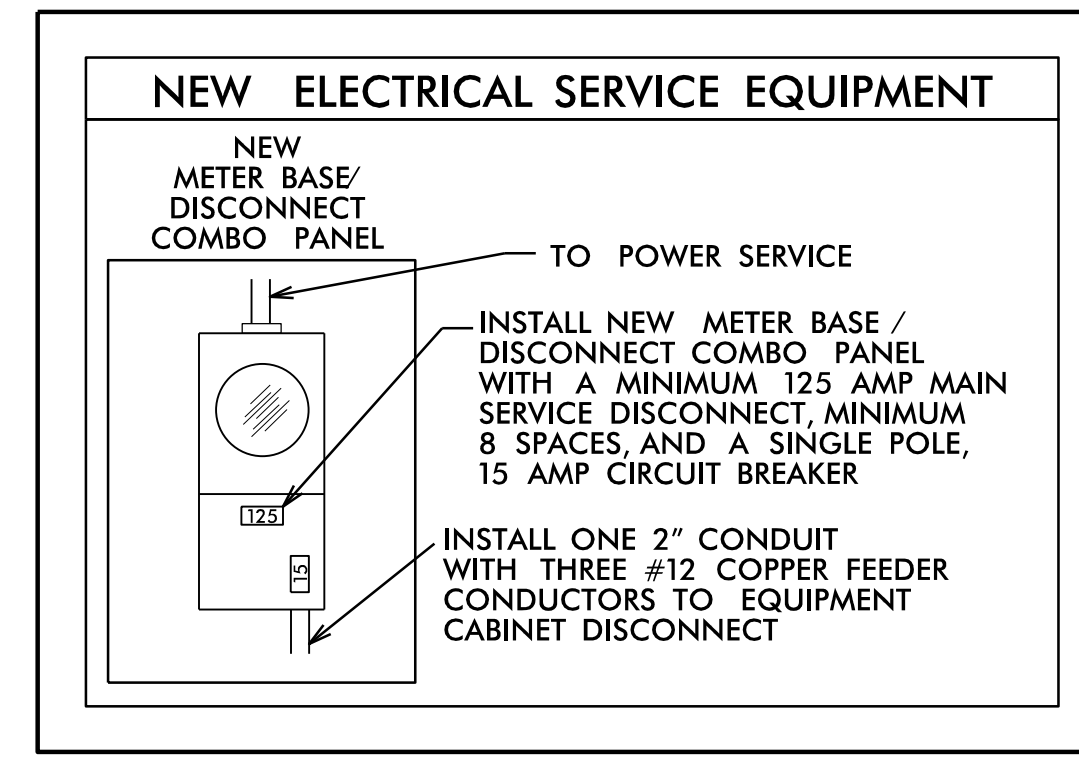
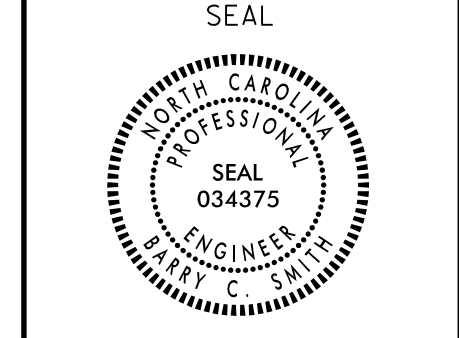


NOTE:

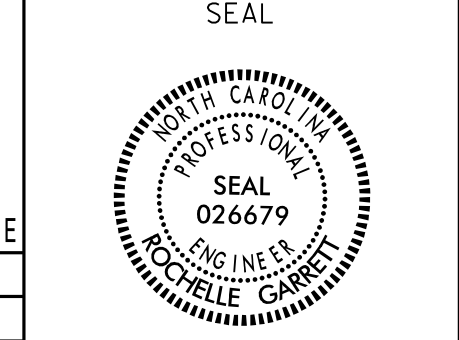
1. LOCATION OF NEW DMS-20 AND CCTV-38 IS BEYOND ROADWAY CONSTRUCTION LIMITS. INSTALL AND ACTIVATE THESE DEVICES DURING PHASE I CONSTRUCTION.
2. PROPOSED 262.5 FEET OF GUARDRAIL.
3. CONTACT ENGINEER TO REQUEST DIT SUPPLIED CELLULAR MODEM.



DOCUMENT NOT CONSIDERED FINAL UNLESS ALL SIGNATURES COMPLETED



DocuSigned by: Barry Smith 1/19/2024



DocuSigned by: Rachelle Massett 1/19/2024

1/19/2024 10:44:00 AM C:\Users\paw_bentl\OneDrive\Documents\60646756-1-2513AA\00-CAD\13-0669-00-01\13-0669-00-01.dgn



Prepared for the Offices of:

ITS Communication Cable and Conduit Routing Plans

DIVISION 13 BUNCOMBE CO. ASHEVILLE

PLAN DATE: January 2024 REVIEWED BY: M. Cavanaugh

PREPARED BY: M. Tindal REVIEWED BY: R. Garrett

REVISIONS	INIT.	DATE

SCALE: 0 NA N.T.S.

DocuSigned by: Rachelle Massett 1/19/2024