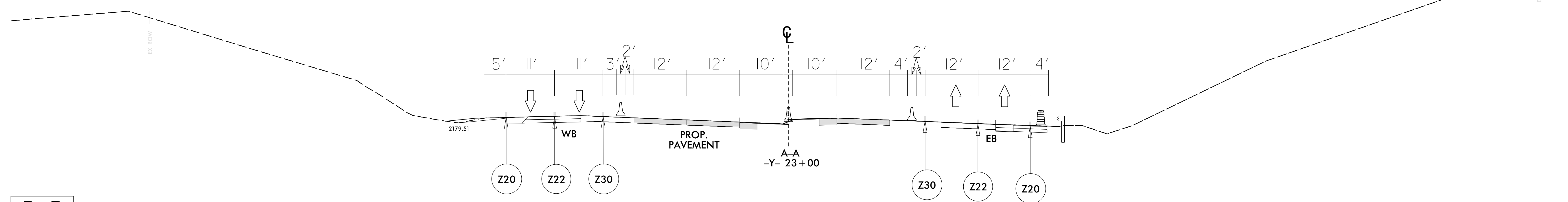
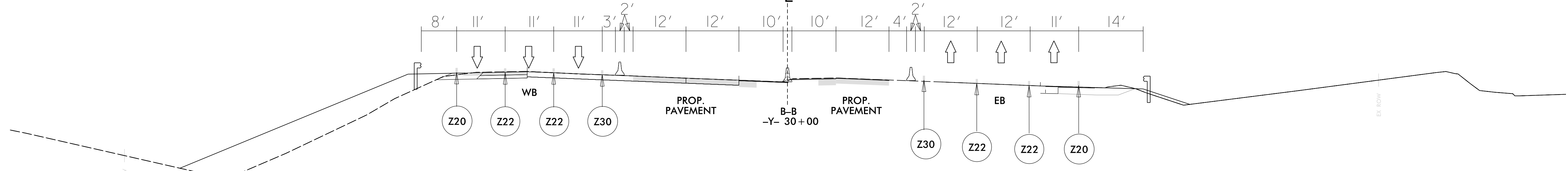


A-A

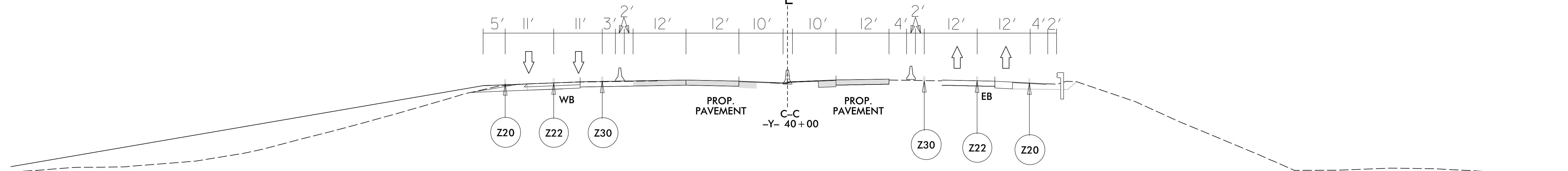
I-40 PHASE 4



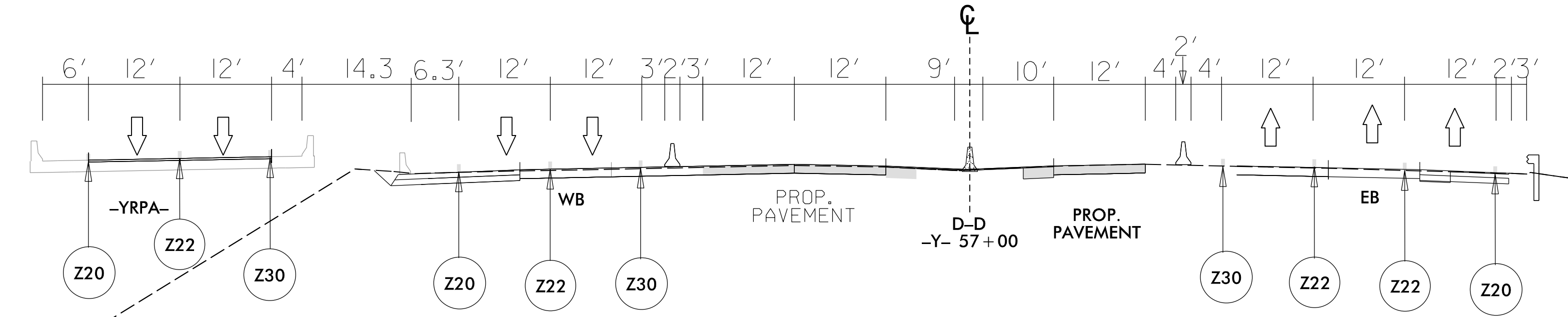
B-B



C-C



D-D



LEGEND

- NEW TEMPORARY MARKINGS
- EXISTING MARKINGS (GRAY)
- NEW CONSTRUCTION AREAS
- TEMPORARY PAVEMENT
- ON-GOING CONSTRUCTION
- REMOVAL
- OVERLAY/WEDGING

NOTE: THE CONTRACTOR SHALL RELOCATE INFORMATION SIGNS BEFORE CONSTRUCTION REMOVES THEM.

NOTE: ALL LANE WIDTHS ARE 11' UNLESS OTHERWISE SHOWN.

04-JAN-2024 09:30
 R:\Projects\I-40-2513A-Work Zone Traffic Control\TrafficControl\CP\ProjectWise\Phase 4\I-2513AA-PHASE-4_TMP-39.dgn
 ZG09141712K AT C1F5103

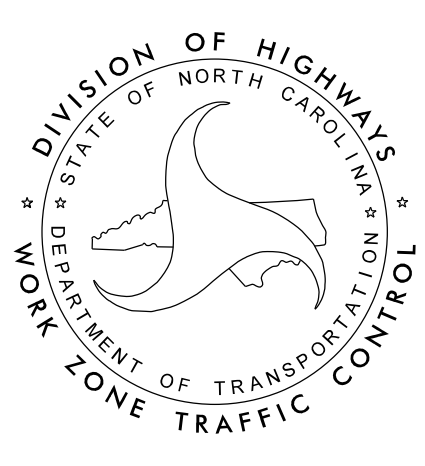


ICE of Carolinas, PLLC
 4505 Falls of Neuse Road, Suite 110
 Raleigh, North Carolina 27609
 Phone: 803-822-0333
 License #: P-0999

APPROVED: *J. Stuart Bourne*
 DATE: 1/4/2024

SEAL

DOCUMENT NOT CONSIDERED FINAL UNLESS ALL SIGNATURES COMPLETED



TEMPORARY TRAFFIC CONTROL PHASE IV DETAIL AREA 1