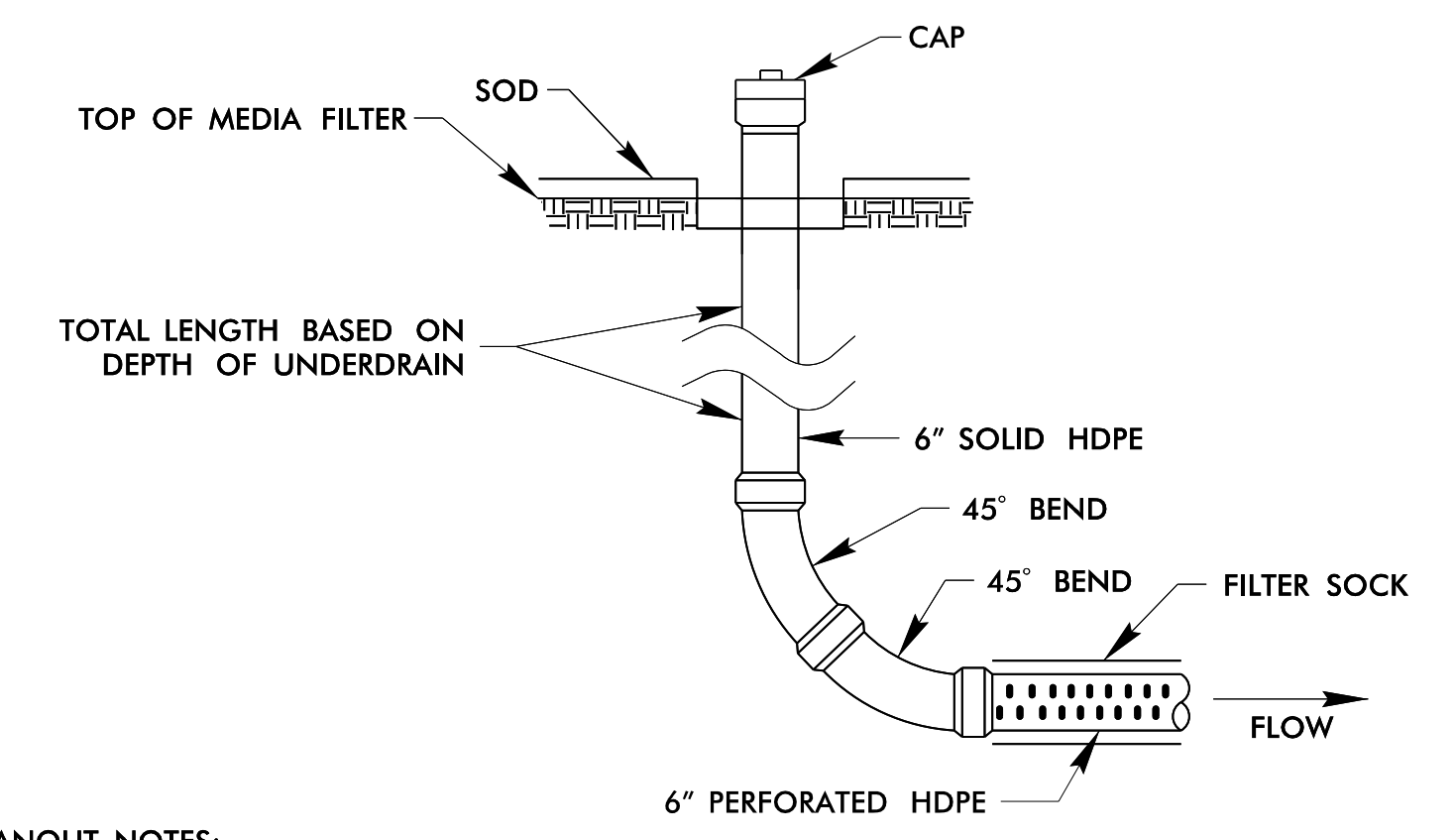
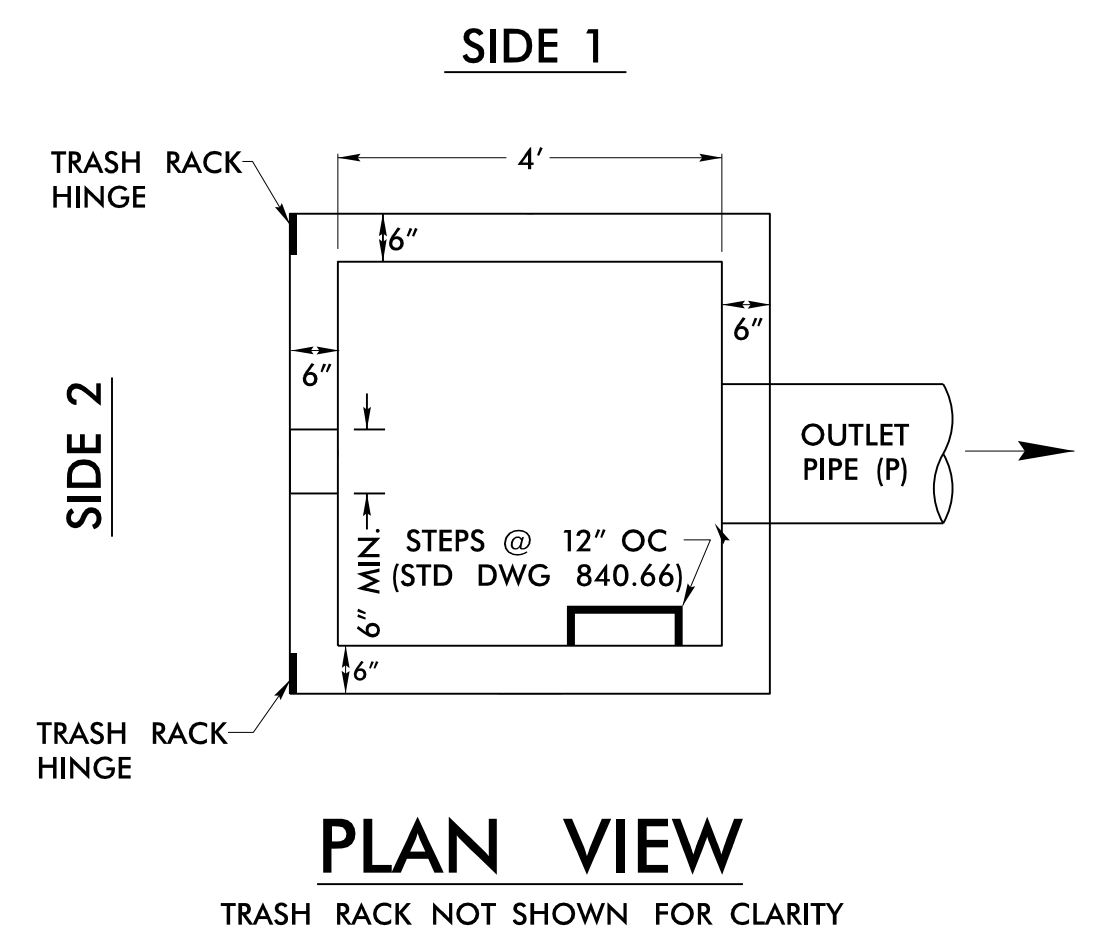
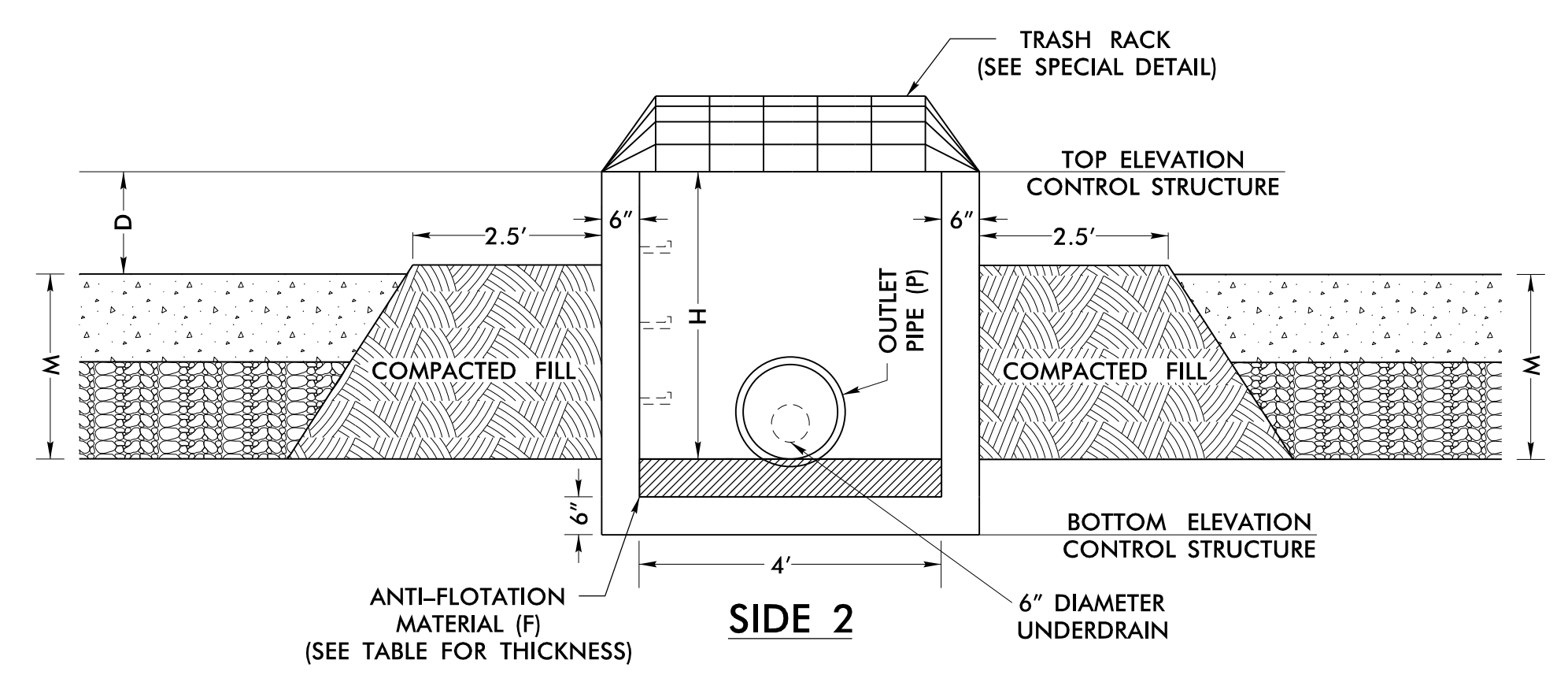
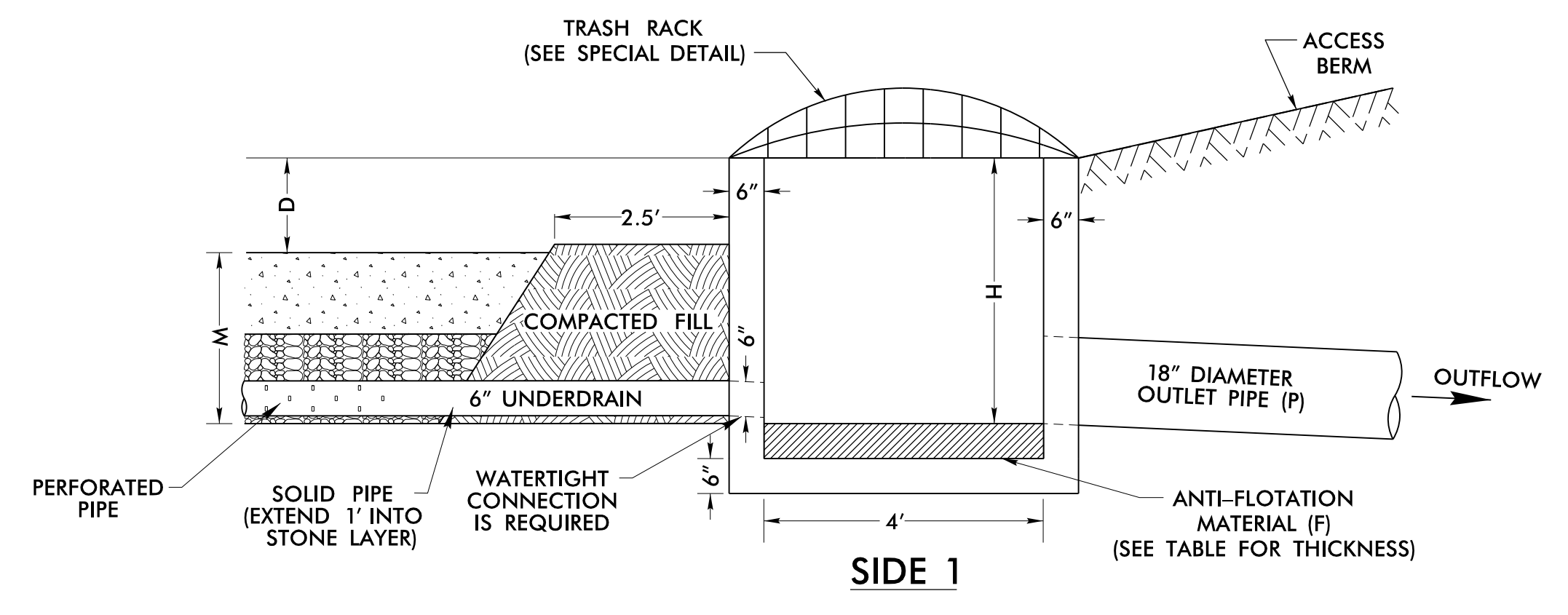


# OUTLET CONTROL STRUCTURE DETAILS

PROJECT REFERENCE NO. 1-2513AA/AB	SHEET NO. 2D-3
RW SHEET NO.	
Matt Harvey 2/8/2024 DB419C2087B94EE	
<b>DOCUMENT NOT CONSIDERED FINAL UNLESS ALL SIGNATURES COMPLETED</b>	
	KCI ASSOCIATES OF N.C., P.A. 4505 Falls of Neuse Road, Suite 400 Raleigh, NC 27609-6270 Phone (919) 783-9214 NC Firm License No. C-0764
	1223 Jones Franklin Rd. Raleigh, N.C. 27606 License No. F-0377 Bus: 919 851 8077 Fax: 919 851 8107
TRANSPORTATION PLANNING/DESIGN - BRIDGE/STRUCTURE DESIGN CIVIL/SITE DESIGN - GIS/GPS - CONSTRUCTION OBSERVATION	



- CLEANOUT NOTES:**
1. ONLY UNDERDRAIN PIPE THAT IS LOCATED BENEATH ENGINEERED SOIL MEDIA SHOULD BE PERFORATED.
  2. PROVIDE THREADED SCREW CAP.

## CLEANOUT

**DIMENSIONS**

D = PONDING DEPTH  
M = MEDIA FILTER + AGGREGATE THICKNESS  
F = ANTI-FLOTATION MATERIAL THICKNESS  
SLAB THICKNESS IS 0.5'  
MINIMUM H = D + M

- NOTES**
1. BEDDING MATERIAL SHALL NOT TO BE USED. DO NOT FOLLOW STANDARD DRAWINGS FOR METHOD OF PIPE INSTALLATION FOR OUTLET PIPE THROUGH EMBANKMENT.
  2. ANTI-FLOTATION MATERIAL IS REQUIRED AND SHALL BE CONCRETE.

**REFERENCED SPECIAL DETAILS**

FOR "FILTRATION BASIN DETAILS (BASIN 2B)" SEE SHEET 2D-2  
 FOR "TRASH RACKS DETAIL" SEE SHEET 2D-4

MINIMUM DIMENSIONS FOR MEDIA FILTER BASIN DRAWDOWN STRUCTURES											
BASIN	STATION	STRUCTURE NUMBER	TOP ELEVATION MEDIA FILTER	TOP ELEVATION CONTROL STRUCTURE	BASIN DEPTH (D)	MEDIA FILTER + AGGREGATE DEPTH (M)	ANTI-FLOTATION MATERIAL (F) THICKNESS	BOTTOM ELEVATION CONTROL STRUCTURE	DIMENSIONS CONTROL STRUCTURE (W x L x H)	DIAMETER OUTLET PIPE (P) (SEE NOTE 5)	INVERT ELEVATION OUTLET PIPE (P)
2B	-L- 348+38 (RT)	1096	2032.00	2033.50	2.0'	3.0'	1.1'	2027.4	4' x 4' x 4.5'	18"	2029.25