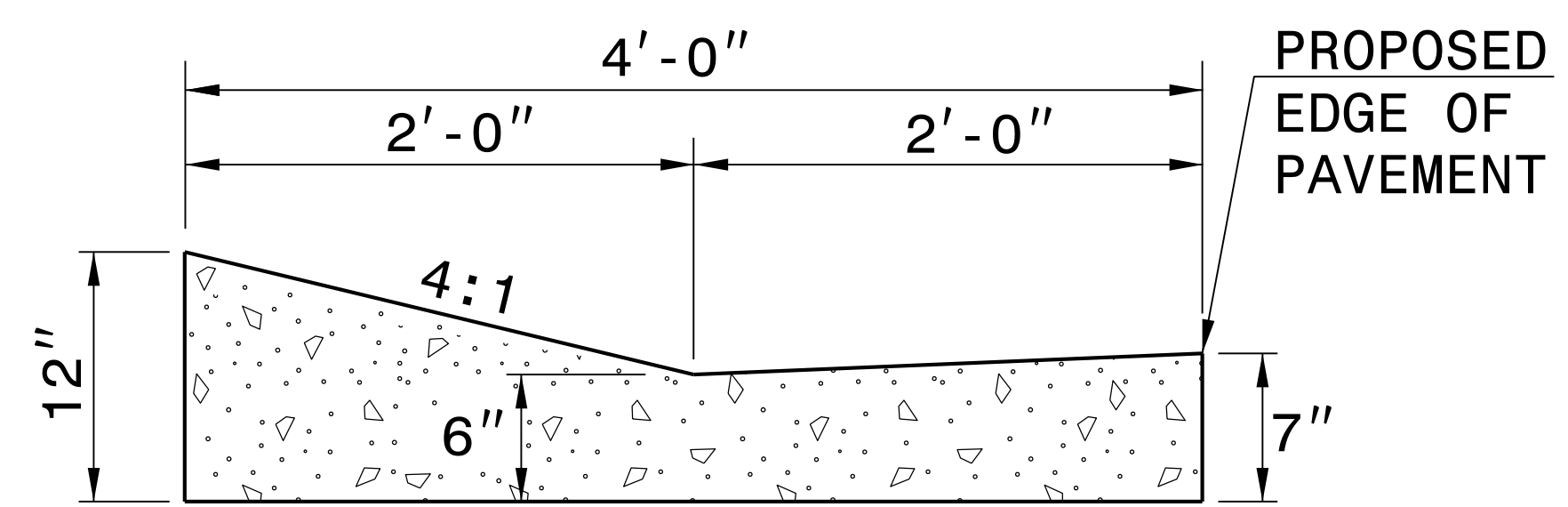


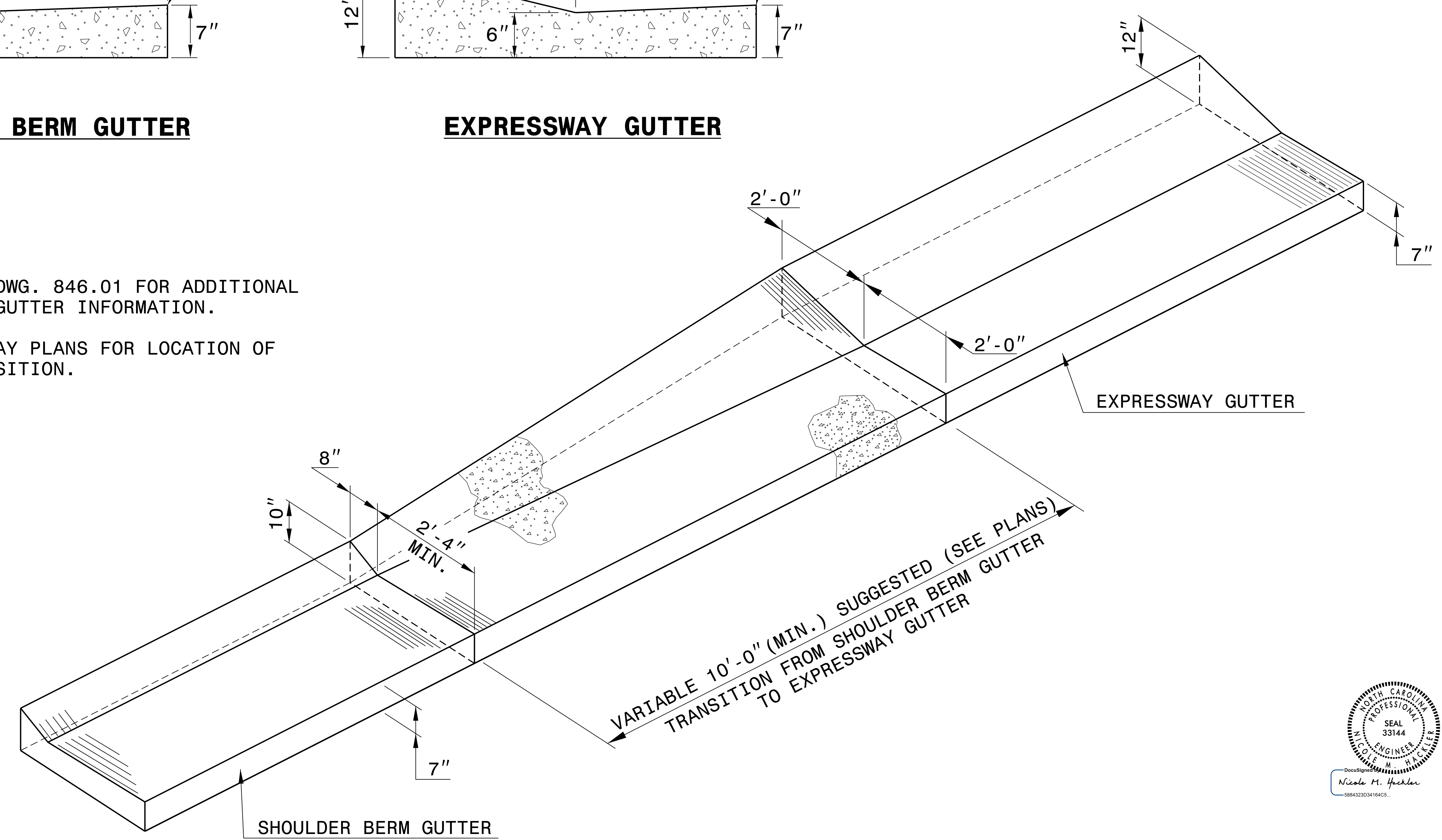
SHOULDER BERM GUTTER



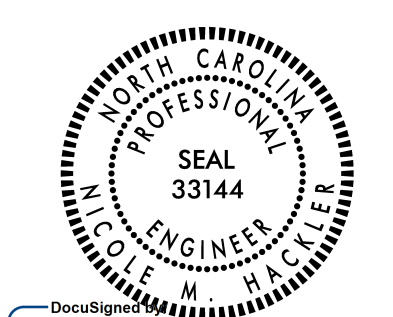
EXPRESSWAY GUTTER

NOTE: SEE STD. DWG. 846.01 FOR ADDITIONAL CURB AND GUTTER INFORMATION.

SEE ROADWAY PLANS FOR LOCATION OF CURB TRANSITION.



ISOMETRIC VIEW OF TRANSITION



Nicole M. Hecker
2/8/2024

DOCUMENT NOT CONSIDERED FINAL
UNLESS ALL SIGNATURES COMPLETED

CONTRACT STANDARDS AND DEVELOPMENT UNIT
Office 919-707-6950 FAX 919-250-4119

DETAIL OF SHOULDER BERM GUTTER TO EXPRESSWAY GUTTER TRANSITION SECTION

ORIGINAL BY: T.S.Spell DATE: 8-13-02
 MODIFIED BY: DATE:
 CHECKED BY: DATE:
 FILE SPEC.: w:usr/details/stand/cgtransit.dgn

04-JUN-2019 10:25
 S:\Contracts\Contractors\Special Details\Vericard\usr\details\stand\c&g transition sections.dgn
 Jhowerston AT USD-292595

5/14/99