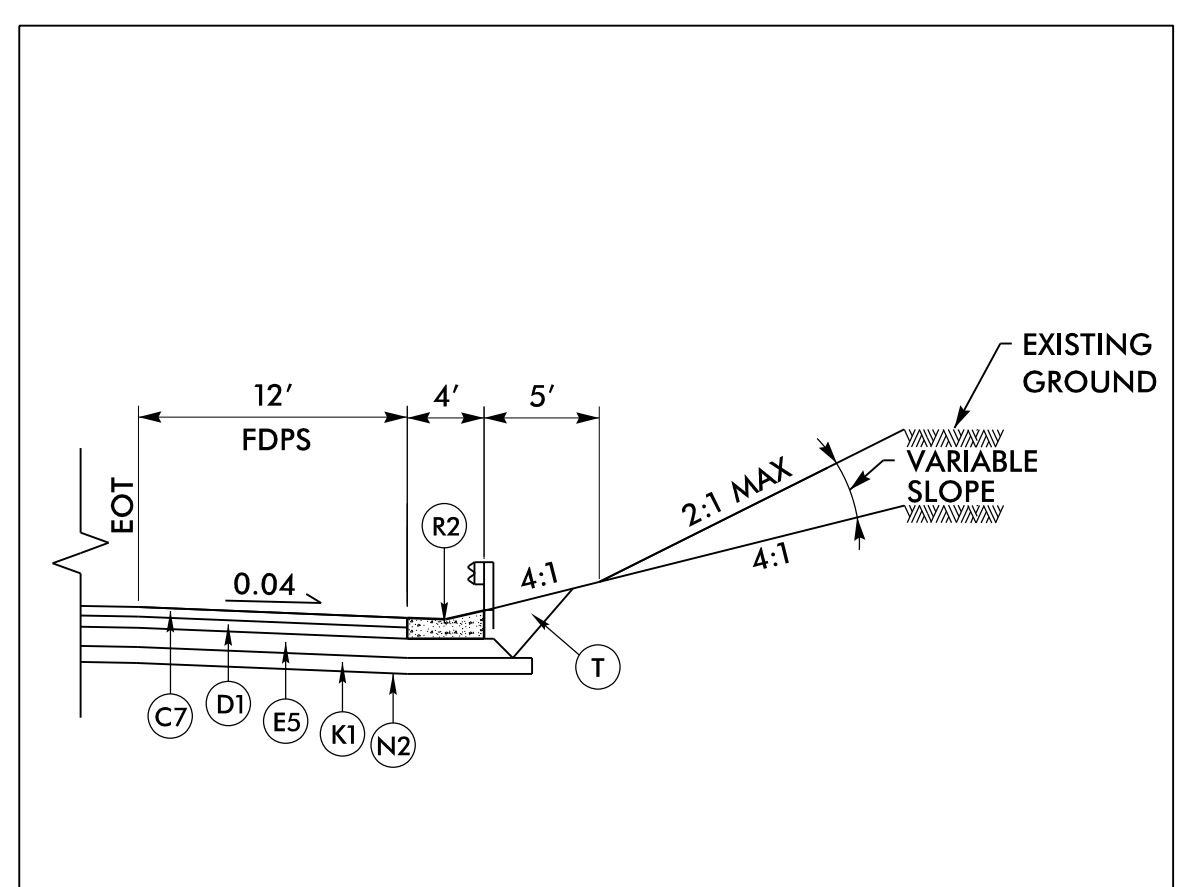


PROJECT REFERENCE NO. 1-2513AA/AB	SHEET NO. 2A-7
ROADWAY DESIGN ENGINEER Barry Smith 2/8/2024	PAVEMENT DESIGN ENGINEER Joseph T. Holland 2/8/2024

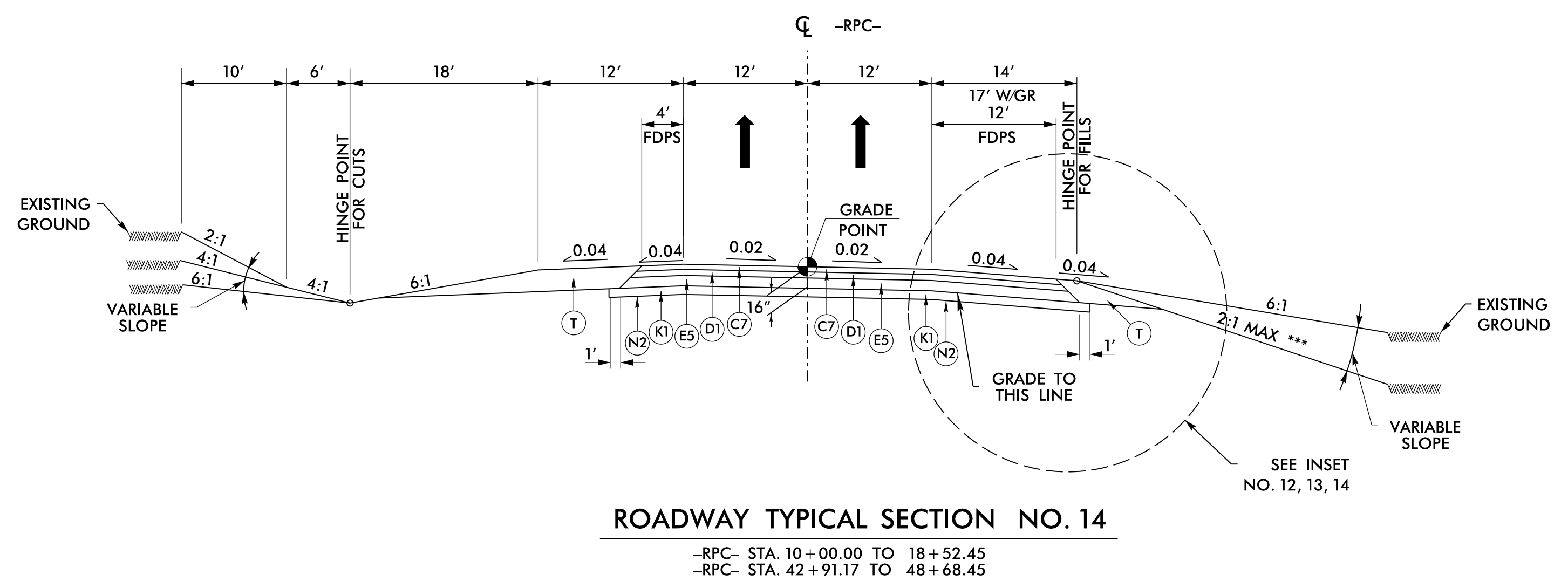
**DOCUMENT NOT CONSIDERED FINAL
UNLESS ALL SIGNATURES COMPLETED**

KCI ASSOCIATES OF N.C., P.A.
4505 Falls of Neuse Road, Suite 400
Raleigh, NC 27609-4270
Phone (919) 783-9214
NC Firm License No. C-0764



INSET NO. 12

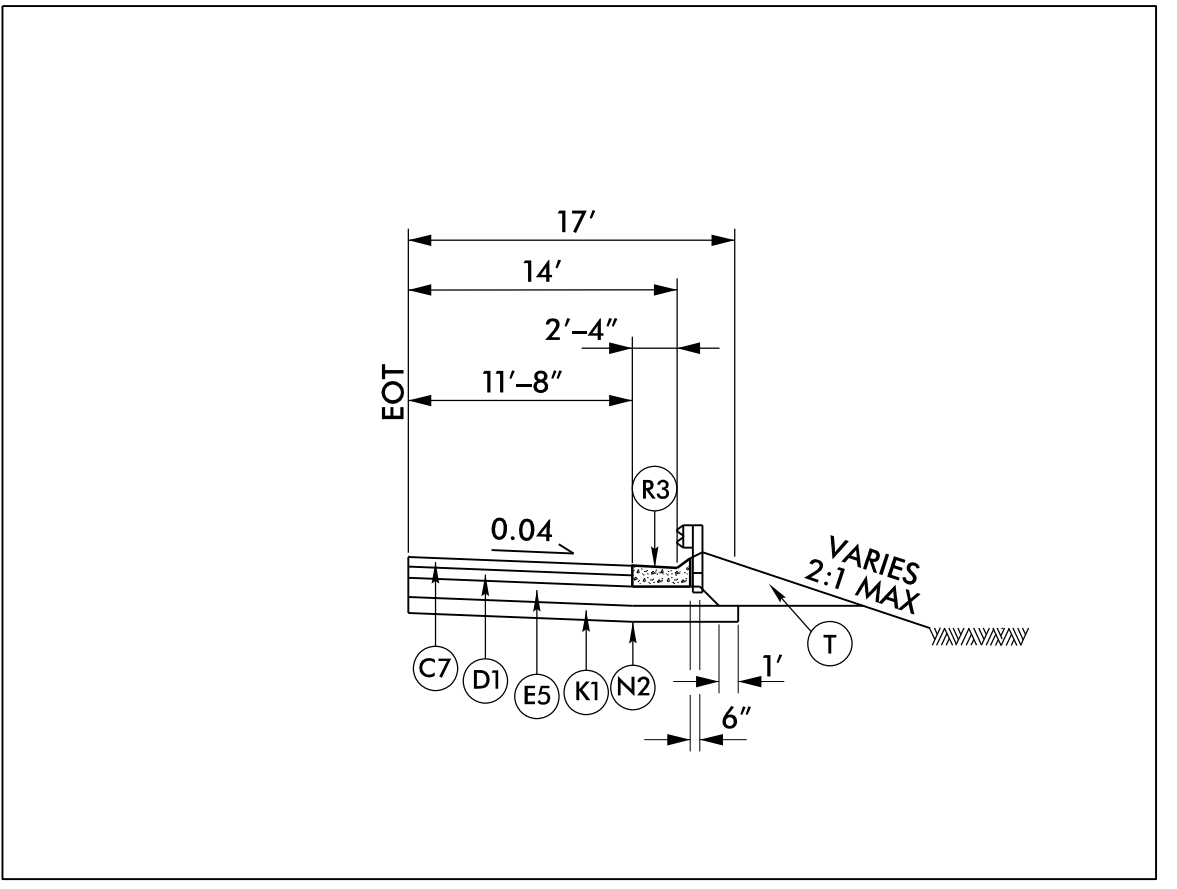
USE IN CONJUNCTION WITH TYPICAL SECTION NO. 14
-RPC- STA. 10+81.25 TO 17+80.32 RT
-RPC- STA. 48+20.00 TO 48+68.45 RT



ROADWAY TYPICAL SECTION NO. 14

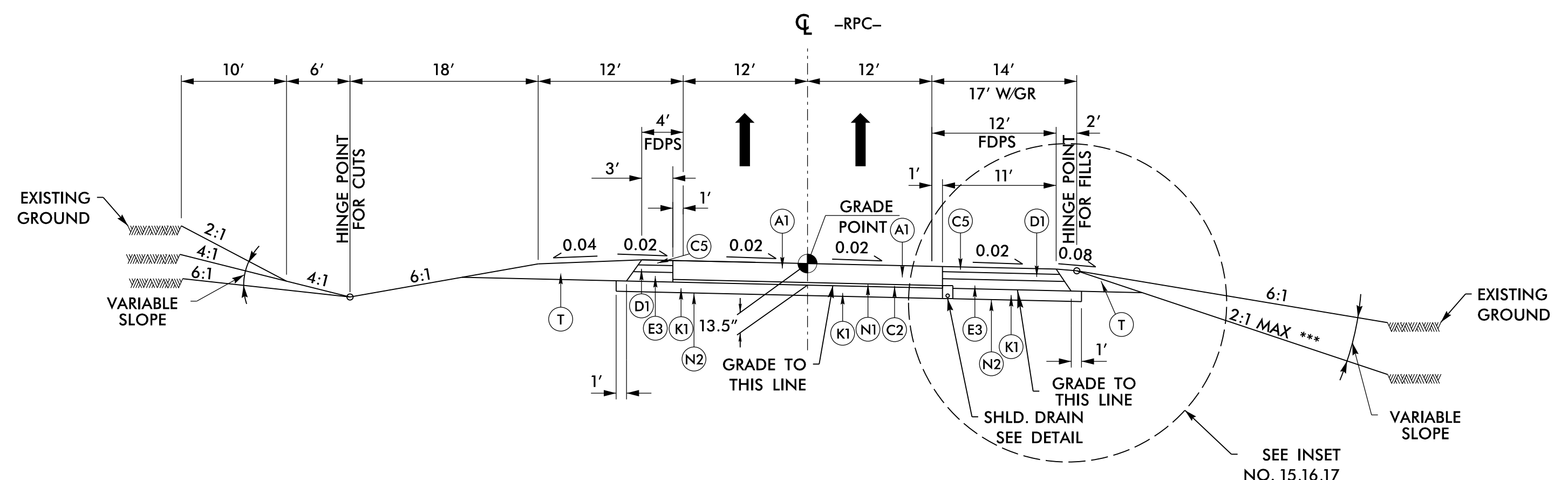
-RPC- STA. 10+00.00 TO 18+52.45
-RPC- STA. 42+91.17 TO 48+68.45

*** USE 4:1 MAX SLOPES INSIDE INTERCHANGE



INSET NO. 13

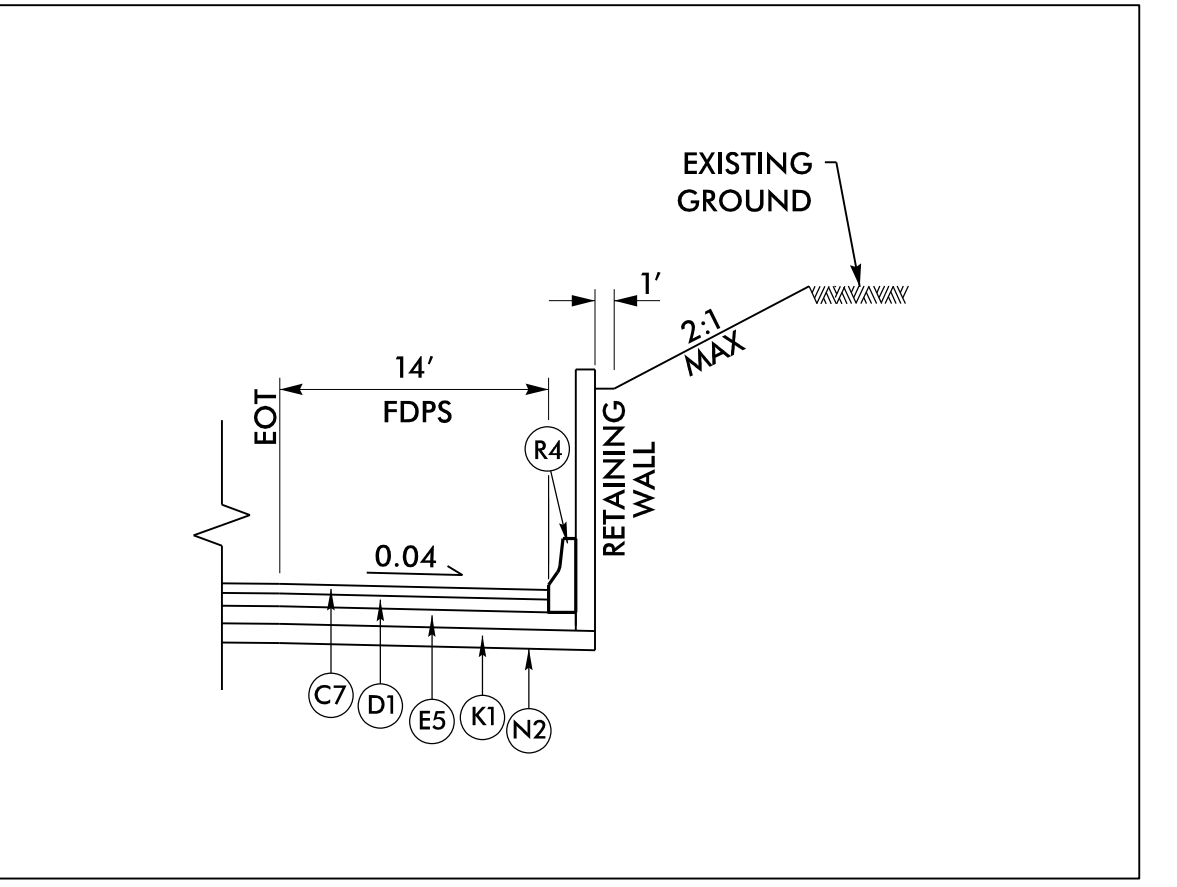
USE IN CONJUNCTION WITH TYPICAL SECTION NO. 14
-RPC- STA. 10+48.34 TO 10+81.25 RT
-RPC- STA. 17+80.32 TO 18+13.15 RT
-RPC- STA. 42+91.17 TO 48+20.00 RT



ROADWAY TYPICAL SECTION NO. 15

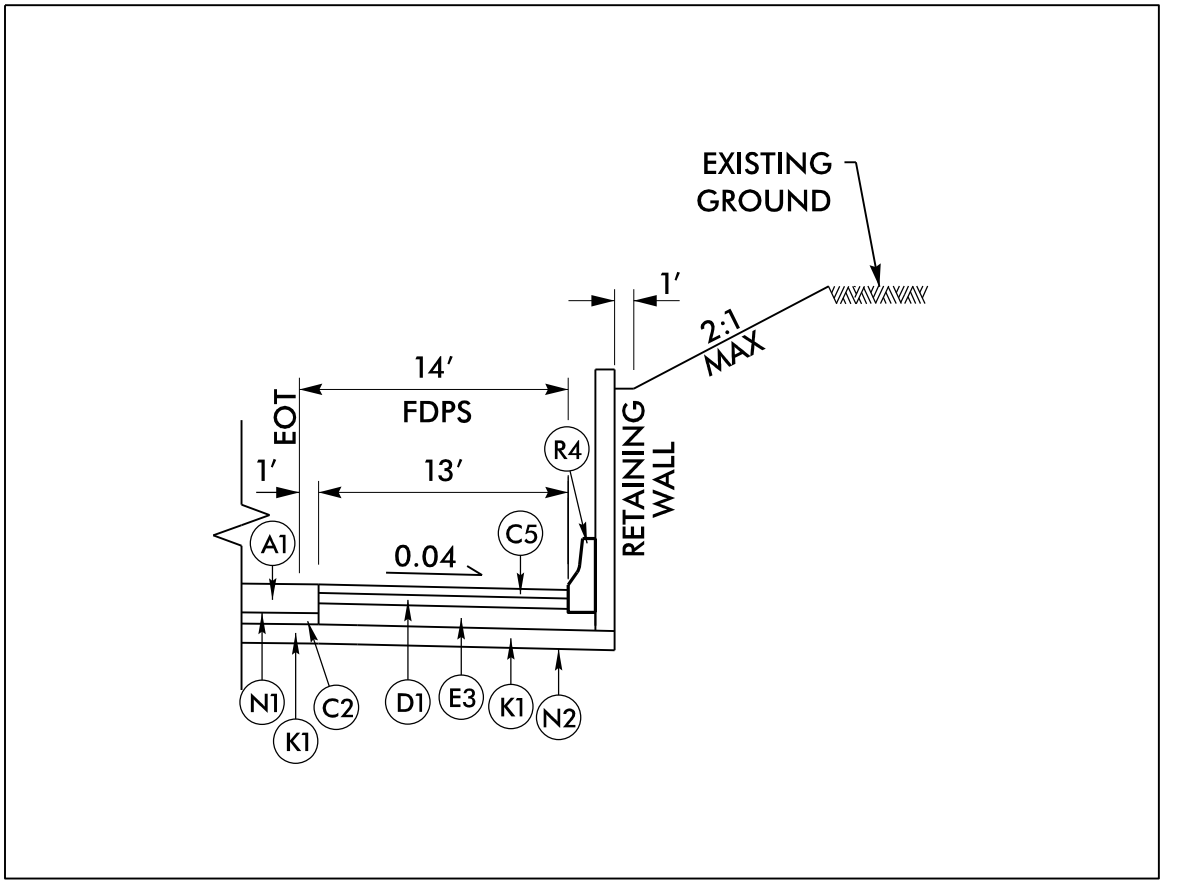
-RPC- STA. 18+52.45 TO 42+91.17

*** USE 4:1 MAX SLOPES INSIDE INTERCHANGE



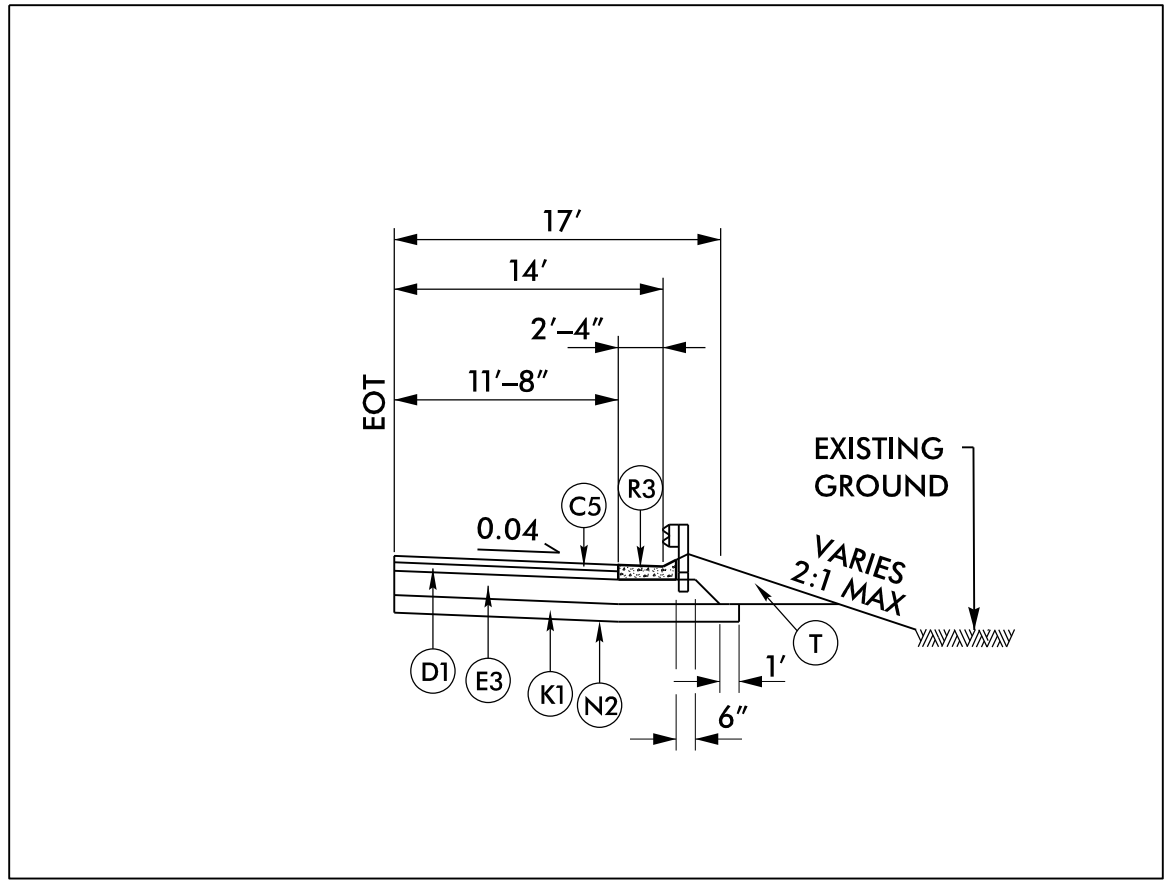
INSET NO. 14

USE IN CONJUNCTION WITH TYPICAL SECTION NO. 14
-RPC- STA. 18+13.15 TO 18+52.45 RT



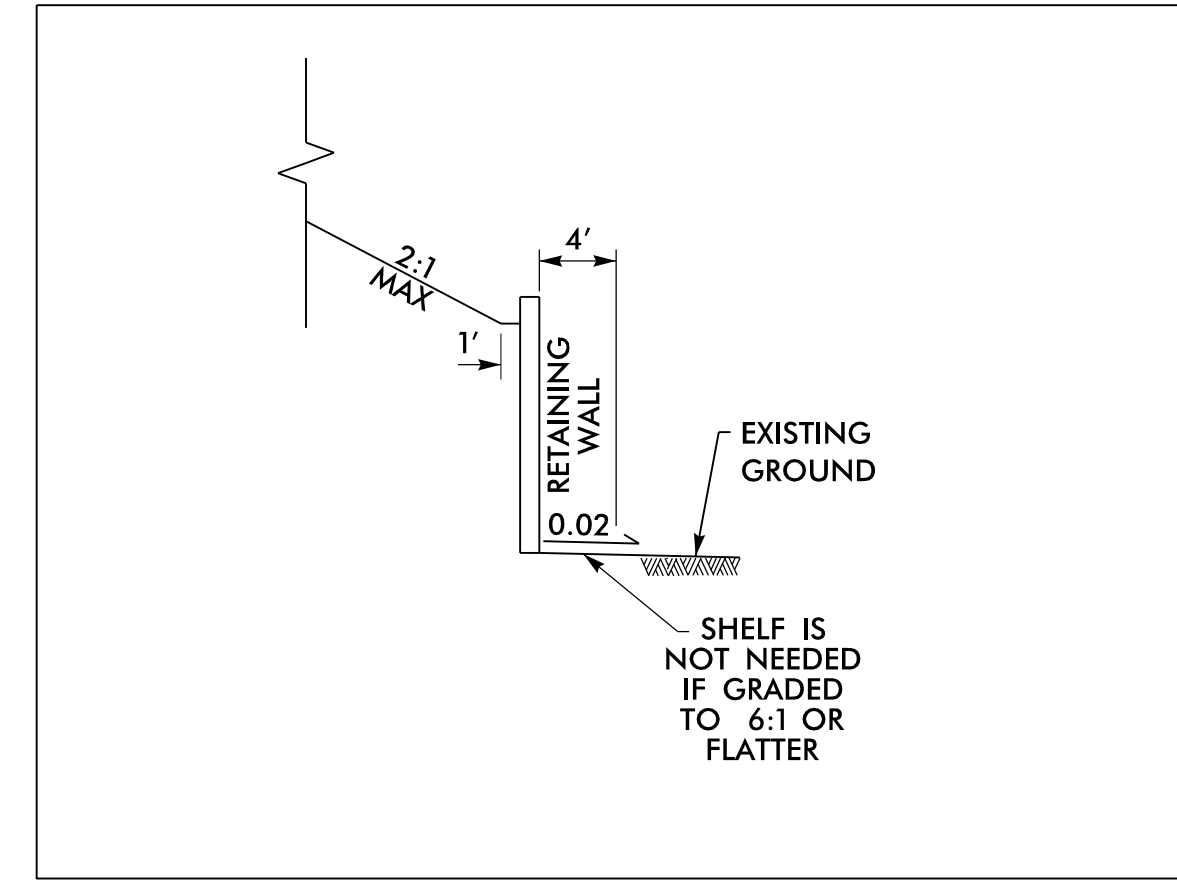
INSET NO. 15

USE IN CONJUNCTION WITH TYPICAL SECTION NO. 15
-RPC- STA. 18+52.45 TO 21+36.15 RT
-RPC- STA. 33+78.15 TO 39+95.15 RT



INSET NO. 16

USE IN CONJUNCTION WITH TYPICAL SECTION NO. 15
-RPC- STA. 21+36.15 TO 33+78.15 RT
-RPC- STA. 39+95.15 TO 42+91.17 RT



INSET NO. 17

USE IN CONJUNCTION WITH TYPICAL SECTION NO. 15
-RPC- STA. 23+68.60 TO 29+85.00 RT

A1	12" PCC PAVE.
A2	14" CONC. PAVE.
C1	1 1/4" S9.5B
C2	1 1/2" S9.5B
C3	3" S9.5B
C4	1 1/2" S9.5C
C5	3" S9.5C
C6	1 1/2" S9.5D
C7	3" S9.5D
C8	VAR. S9.5D
D1	4" I19.0C
D2	VAR. I19.0C
D3	2 1/2" I19.0C
E1	3" B25.0C
E2	4" B25.0C
E3	6.5" B25.0C
E4	7" B25.0C
E5	9" B25.0C
E6	11.5" B25.0C
E7	VAR. B25.0C
F1	5/8" ULTRA-THIN
J1	8" ABC
J2	10" ABC
K1	8" CL IV SUB. STAB
N1	NONWOVEN GEO.
N2	GEO. SUB. STAB.
P1	PRIME COAT
R1	2'-6" C&G
R2	EXPRESS. GUTTER
R3	SH. BERM GUTTER
R4	PRECAST BARRIER
R5	4" CONC. COVER
T	EARTH MATERIAL
U	EXIST. PVMT.
U1	EXIST. C. PVMT.
U2	EXIST. A. PVMT.
V1	RUMBLE STRIPS
V2	1 1/2" MILLING
V3	VAR. MILLING
W1	WEDGING DET.#1
W2	WEDGING DET.#2