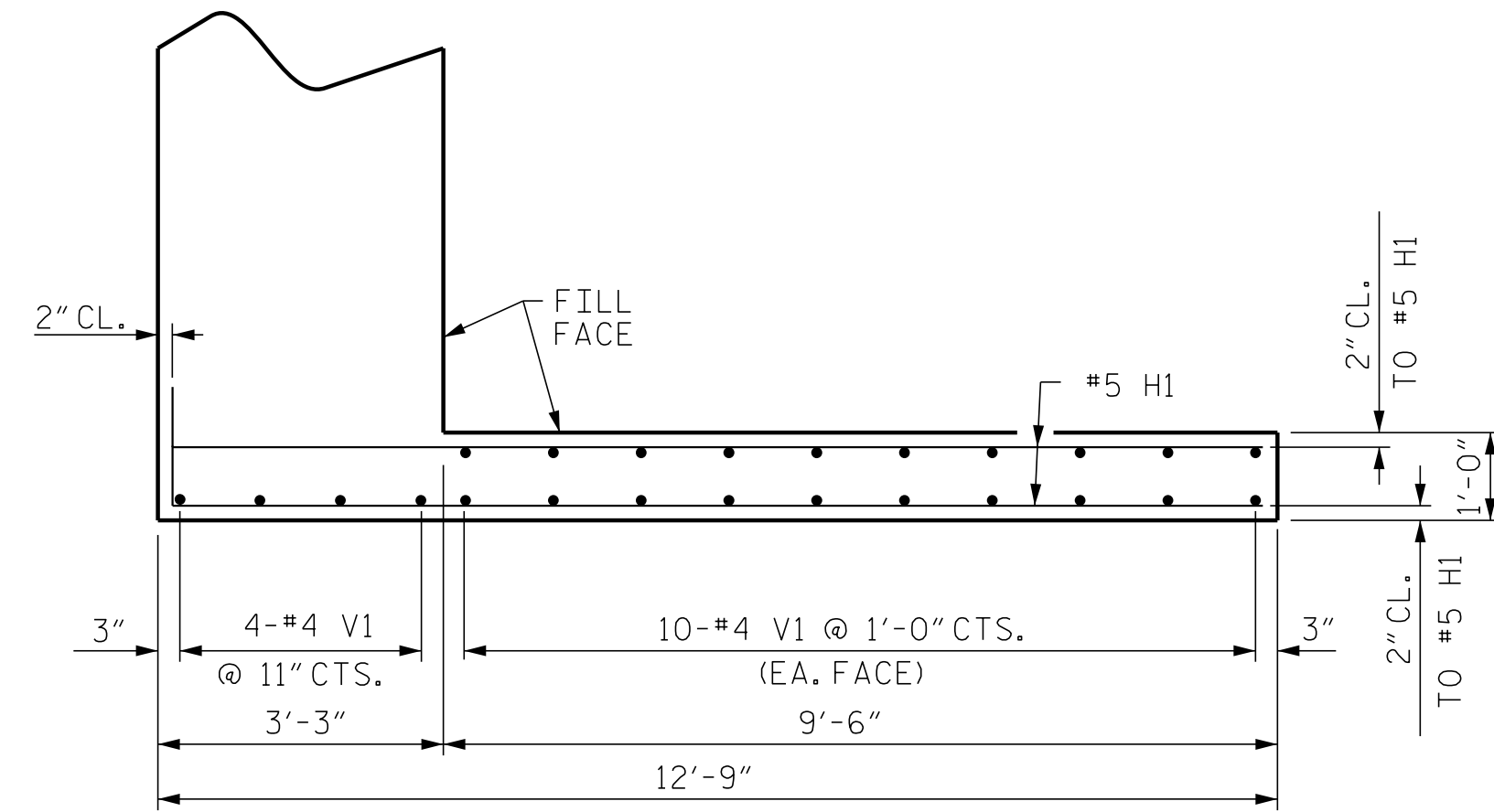
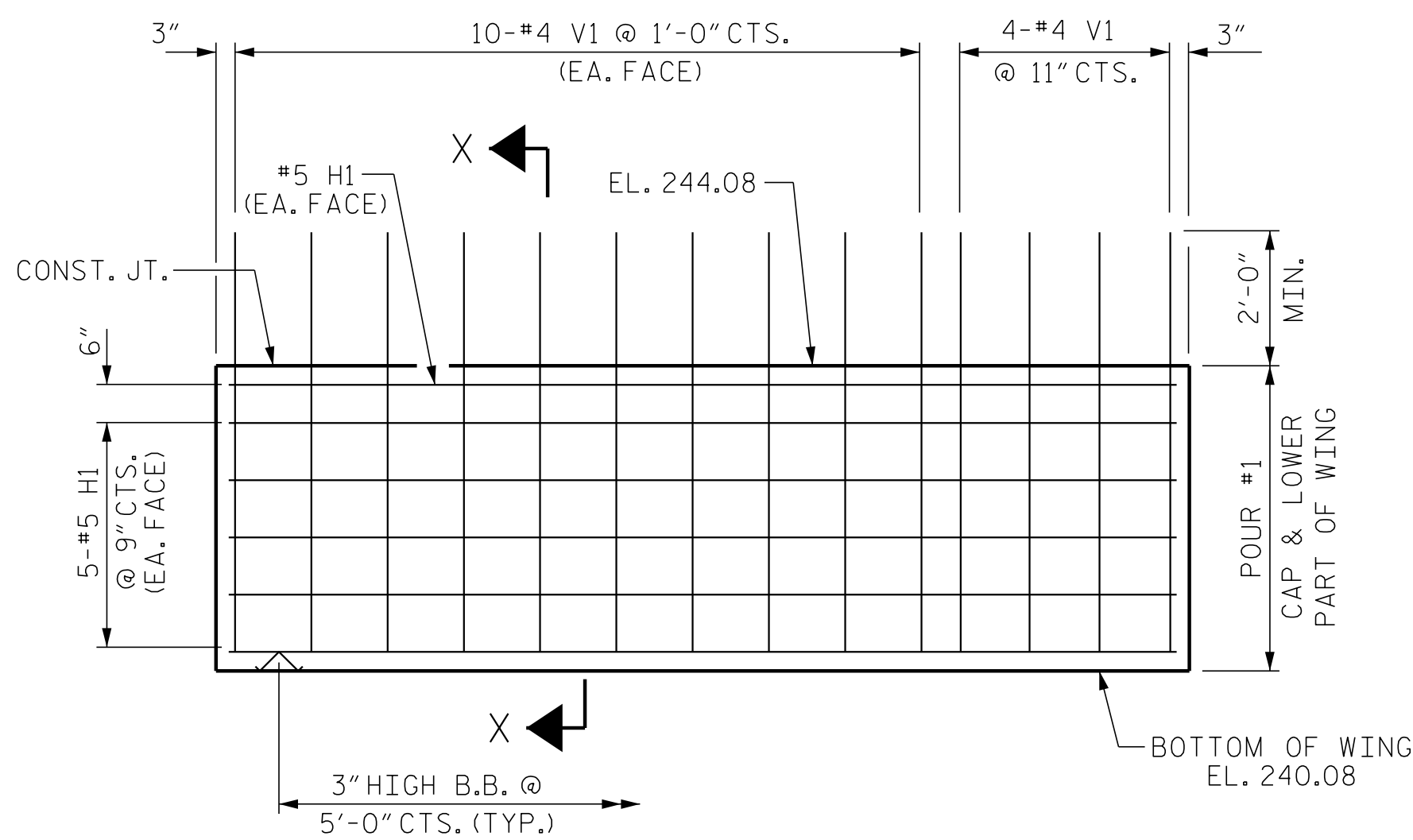


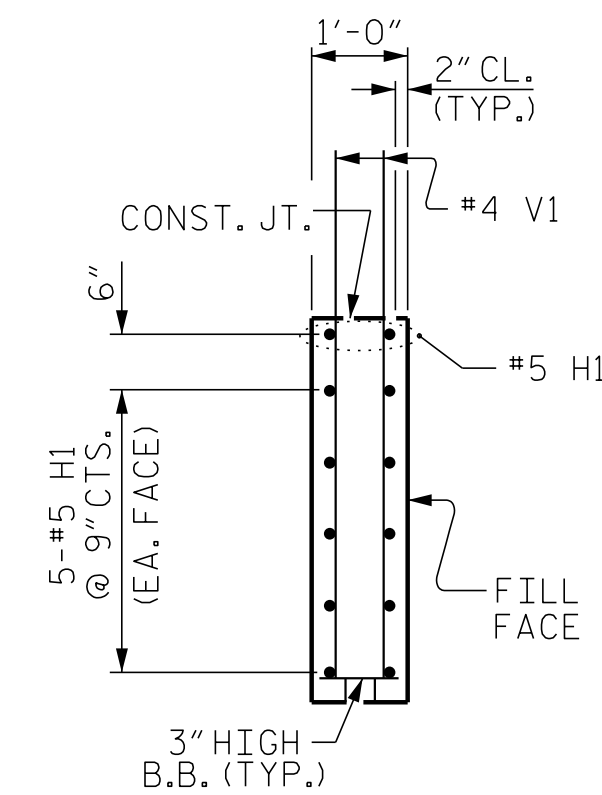
PLAN OF WING - W1



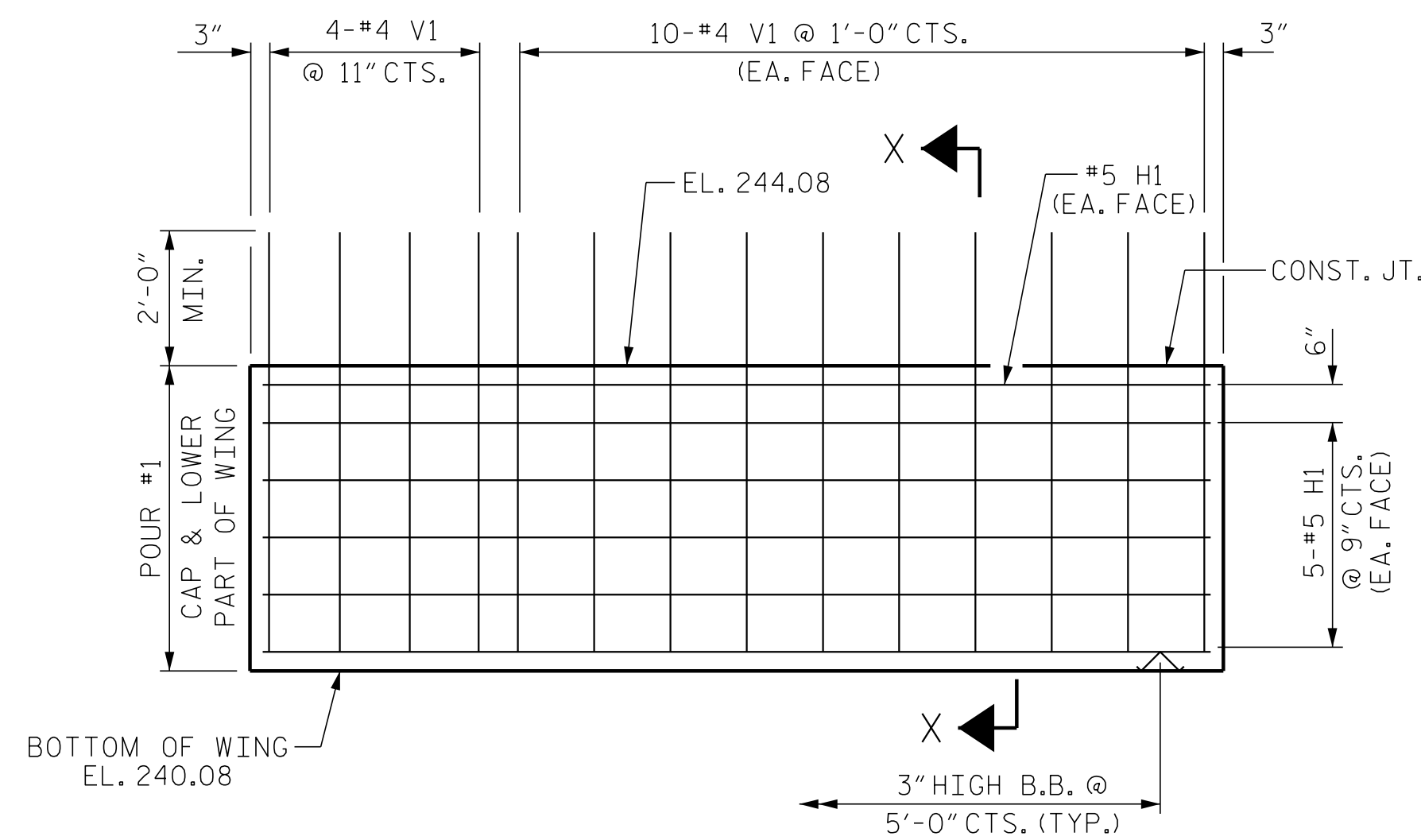
PLAN OF WING - W2



ELEVATION OF WING - W1



SECTION X-X



ELEVATION OF WING - W2

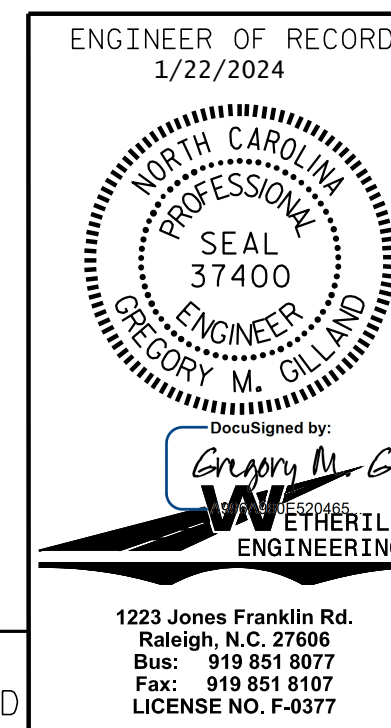
PROJECT NO. BR-0062
ANSON COUNTY
 STATION: 18+07.50 -L-

SHEET 2 OF 3

PA:2020\20130\01_BR-0062\Structures\DCM\BR-0062_SD_EB_0300_14.dgn
1/19/2024 9:43:47 AM

DRAWN BY: D. HODGE DATE: 5/23
 CHECKED BY: G. GILLAND DATE: 10/23

DOCUMENT NOT CONSIDERED FINAL
UNLESS ALL SIGNATURES COMPLETED



STATE OF NORTH CAROLINA DEPARTMENT OF TRANSPORTATION RALEIGH					
SUBSTRUCTURE END BENT No. 2					
REVISIONS					
NO.	BY:	DATE:	NO.	BY:	DATE:
1			3		
2			4		
					SHEET NO. S-32
					TOTAL SHEETS 35

1223 Jones Franklin Rd.
 Raleigh, N.C. 27606
 Bus: 919 851 8077
 Fax: 919 851 8107
 LICENSE NO. F-0377