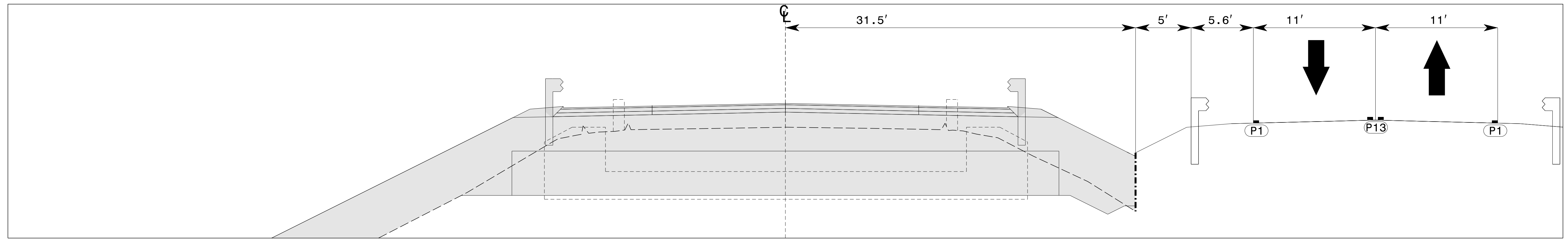
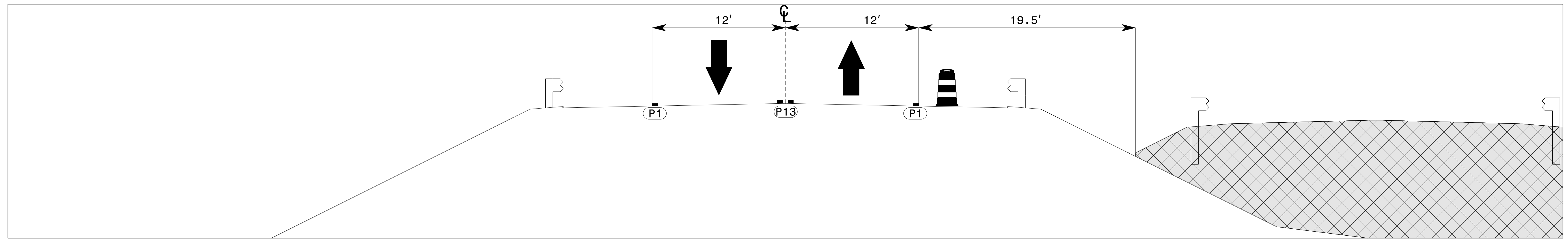


**C1**  
04 | 09  
STA. 18+75 -L-  
CUT SECTION

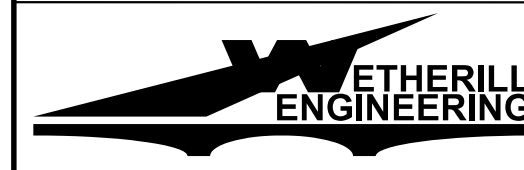


**C2**  
05 | 09  
STA. 18+75 -L-  
CUT SECTION



**C3**  
06 | 09  
STA. 18+75 -L-  
CUT SECTION

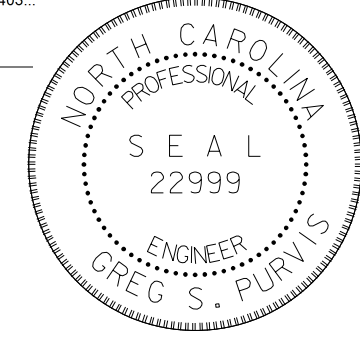
6/4/2024 \\wei-fs01\projects\2020\20130101\BR-0062\Traffic Design\Pre-Let\Plan\WZTC\Traffic\BR-0062\_TMP\_09\_TCS\_C.dgn User:AHayes



1223 Jones Franklin Rd.  
Raleigh, N.C. 27606  
License No. F-0377  
Bus: 919 851 8077  
Fax: 919 851 8107

TRANSPORTATION PLANNING/DESIGN - BRIDGE/STRUCTURE DESIGN  
CIVIL/SITE DESIGN - GIS/GPS - CONSTRUCTION OBSERVATION

APPROVED: *Greg S. Purvis*  
DATE: 6/4/2024



**DOCUMENT NOT CONSIDERED FINAL  
UNLESS ALL SIGNATURES COMPLETED**



**TEMPORARY CUT SECTION C**