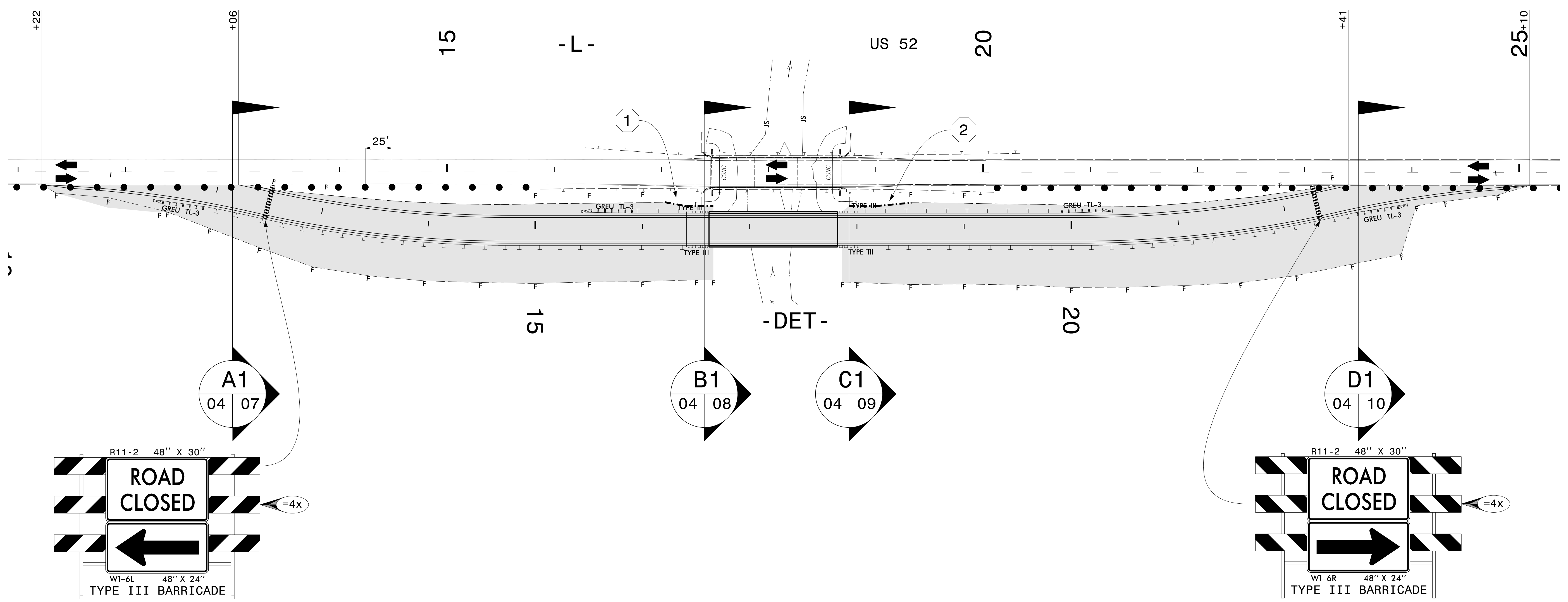
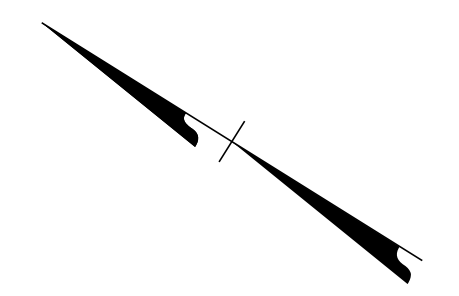


1 QUANTITY = 180.0 SF
 TEMPORARY SHORING
 FROM STA. 16+21 -DET-, 25.2' LT OF CL
 TO STA. 16+66 -DET-, 21.6' LT OF CL
 (SEE SHEET TMP-02A FOR
 TEMPORARY SHORING DATA)

2 QUANTITY = 240.0 SF
 TEMPORARY SHORING
 FROM STA. 17+93 -DET-, 21.6' LT OF CL
 TO STA. 18+51 -DET-, 24.8' LT OF CL
 (SEE SHEET TMP-02A FOR
 TEMPORARY SHORING DATA)



6/4/2024
 \\wei-fs01\projects\2020\20130101\BR-0062\Traffic\Design\Pre-Let\Plan\WZTC\BR-0062_TMP_04_Phi.dgn
 User: AHayes

NOTES:
 1) REFER TO RSD 1101.03, SHEET 3 FOR GENERAL NOTES AND OTHER INFORMATION.

1223 Jones Franklin Rd.
 Raleigh, N.C. 27606
 License No. F-0377
 Bus: 919 851 8077
 Fax: 919 851 8107

TRANSPORTATION PLANNING/DESIGN - BRIDGE/STRUCTURE DESIGN
 CIVIL/SITE DESIGN - GIS/GPS - CONSTRUCTION OBSERVATION

APPROVED: *Greg S. Purvis*
D11P07C298E3403

DATE: 6/4/2024

**DOCUMENT NOT CONSIDERED FINAL
 UNLESS ALL SIGNATURES COMPLETED**



PHASE I DETAIL