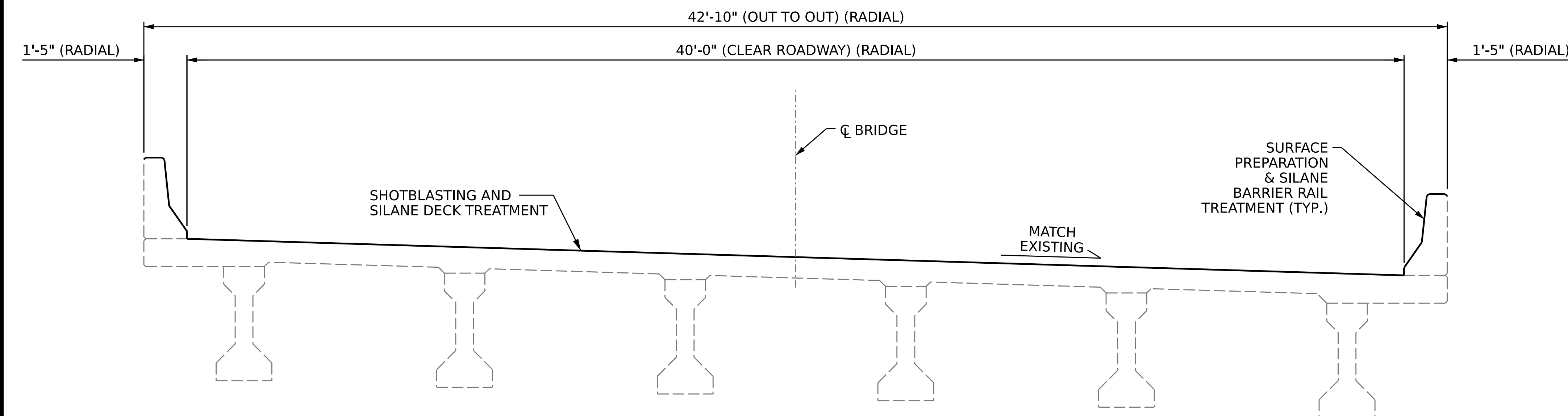


TYPICAL SECTION
(EXISTING)

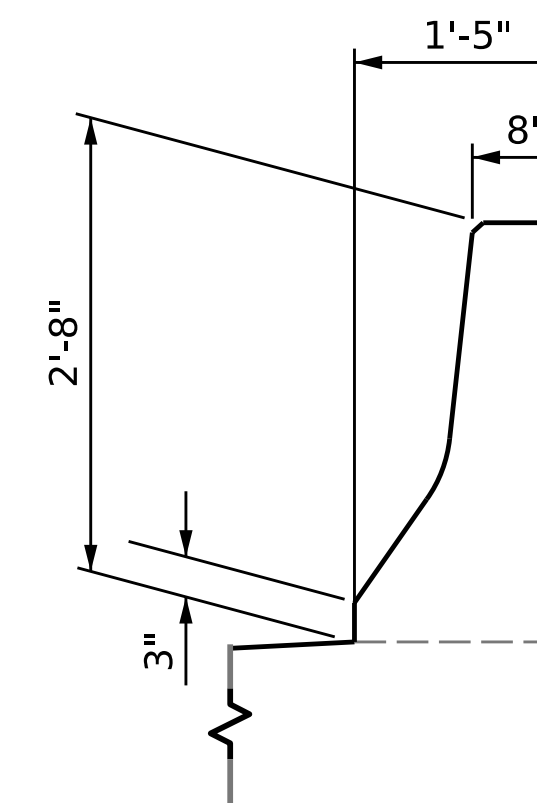


TYPICAL SECTION
(PROPOSED)

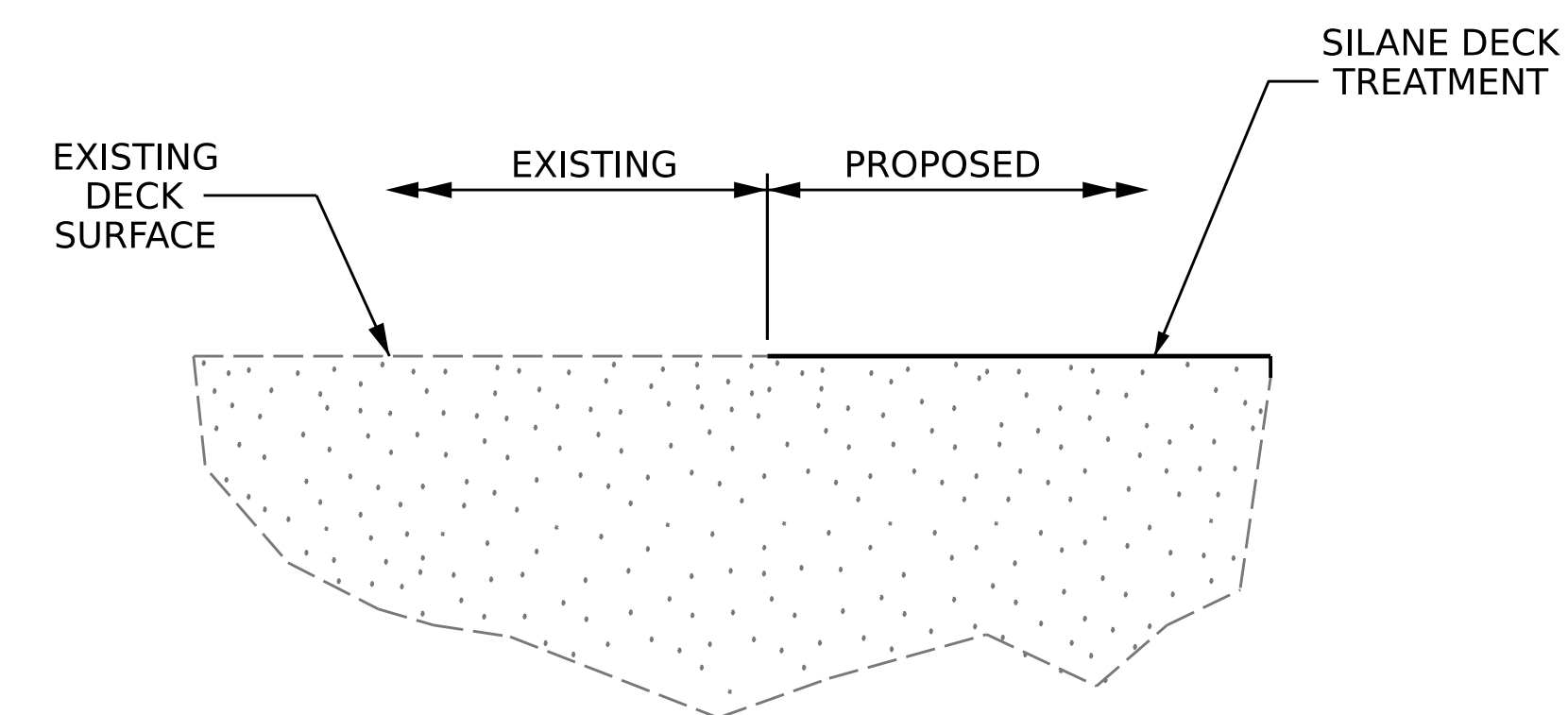
NOTES

SEE TRAFFIC PLANS FOR LANE WIDTH, SEQUENCING, AND OTHER TRAFFIC CONTROL MEASURES FOR STAGING OF SURFACE PREPARATION AND SILANE DECK TREATMENT.

PROTECT TRAFFIC FROM REBOUND, DUST, OVERSPRAY, AND CONSTRUCTION ACTIVITIES. PROVIDE APPROPRIATE SHIELDING, AS REQUIRED AND/OR DIRECTED BY ENGINEER.



LIMIT OF BARRIER RAIL SILANE APPLICATION



SILANE DECK TREATMENT DETAIL

PROJECT NO. **HI-0017**
ROBESON COUNTY
 BRIDGE NO. **770456**



STATE OF NORTH CAROLINA
 DEPARTMENT OF TRANSPORTATION
 RALEIGH

SUPERSTRUCTURE
 TYPICAL SECTION
 AND SILANE DECK
 TREATMENT DETAILS

REVISIONS						SHEET NO. S6-2
NO.	BY:	DATE:	NO.	BY:	DATE:	
1			3			TOTAL SHEETS
2			4			7

DOCUMENT NOT CONSIDERED FINAL UNLESS ALL SIGNATURES COMPLETED

DRAWN BY : NVANDERMARK / J. BALDWIN DATE : 6/2022
 CHECKED BY : G. AYES DATE : 11/2022