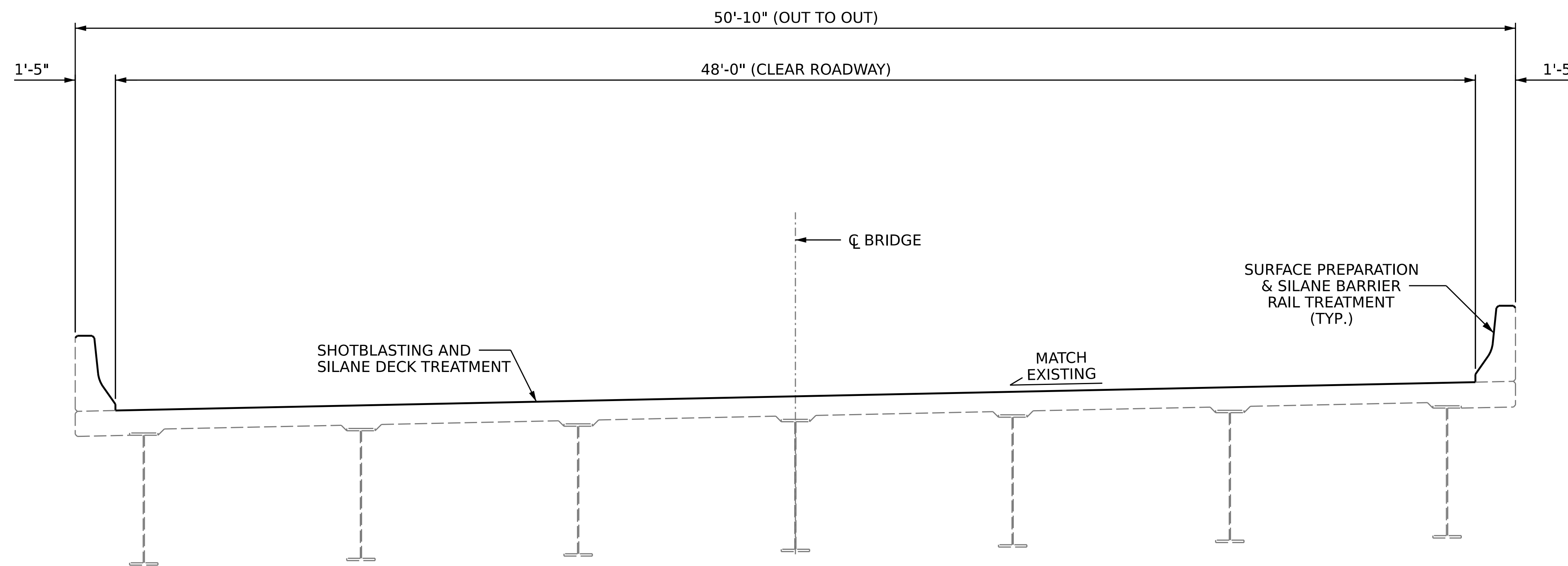


**TYPICAL SECTION**  
(EXISTING)

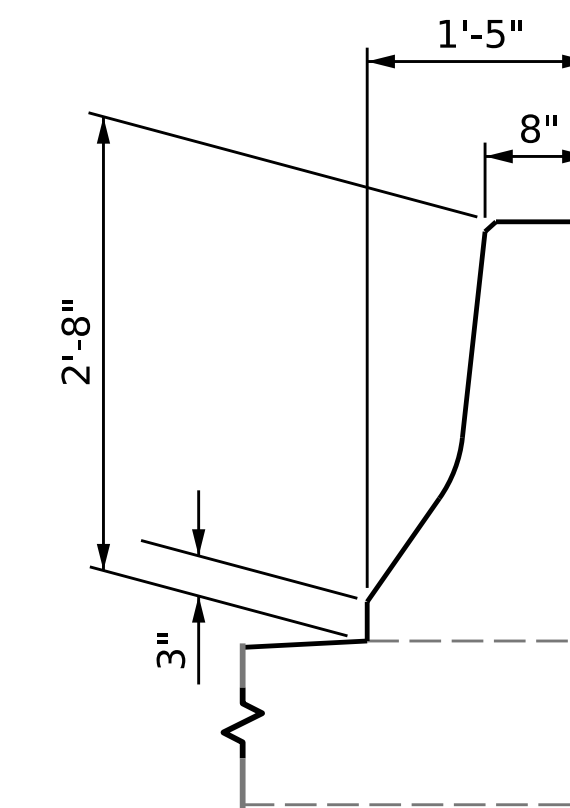


**TYPICAL SECTION**  
(PROPOSED)

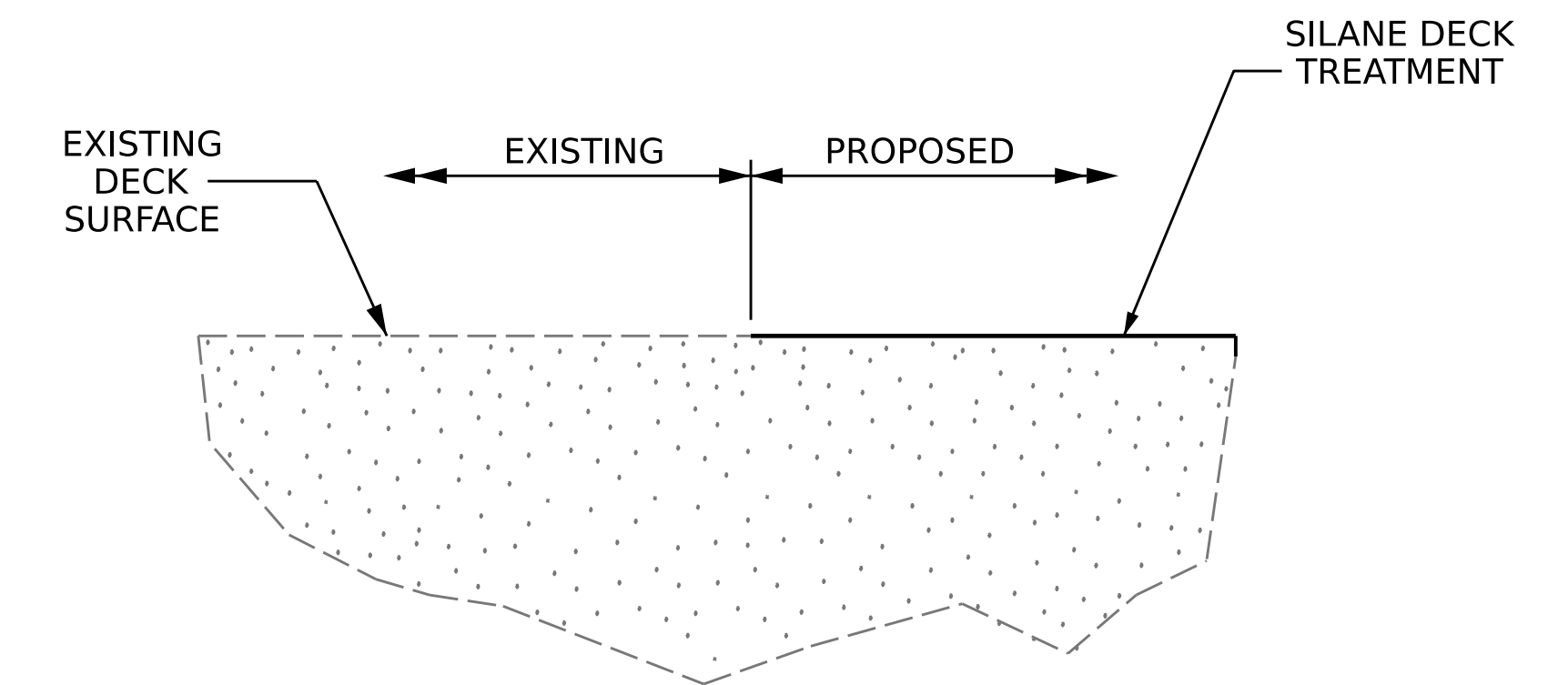
**NOTES**

SEE TRAFFIC PLANS FOR LANE WIDTH, SEQUENCING, AND OTHER TRAFFIC CONTROL MEASURES FOR STAGING OF SURFACE PREPARATION AND SILANE DECK TREATMENT.

PROTECT TRAFFIC FROM REBOUND, DUST, OVERSPRAY, AND CONSTRUCTION ACTIVITIES. PROVIDE APPROPRIATE SHIELDING, AS REQUIRED AND/OR DIRECTED BY ENGINEER.



**LIMIT OF BARRIER RAIL SILANE APPLICATION**



**SILANE DECK TREATMENT DETAIL**

PROJECT NO. **HI-0017**  
**ROBESON** COUNTY  
 BRIDGE NO. **770453**



STATE OF NORTH CAROLINA  
 DEPARTMENT OF TRANSPORTATION  
 RALEIGH

**SUPERSTRUCTURE**

TYPICAL SECTION  
 AND SILANE DECK  
 TREATMENT DETAILS

REVISIONS						SHEET NO.
NO.	BY:	DATE:	NO.	BY:	DATE:	TOTAL SHEETS
1			3			4
2			4			4

DOCUMENT NOT CONSIDERED FINAL UNLESS ALL SIGNATURES COMPLETED

DRAWN BY : N. VANDERMARK / J. BALDWIN DATE : 6/2022  
 CHECKED BY : A. G. ABRAHA DATE : 11/2022  
 DESIGN ENGINEER OF RECORD: \_\_\_\_\_ DATE : \_\_\_\_\_