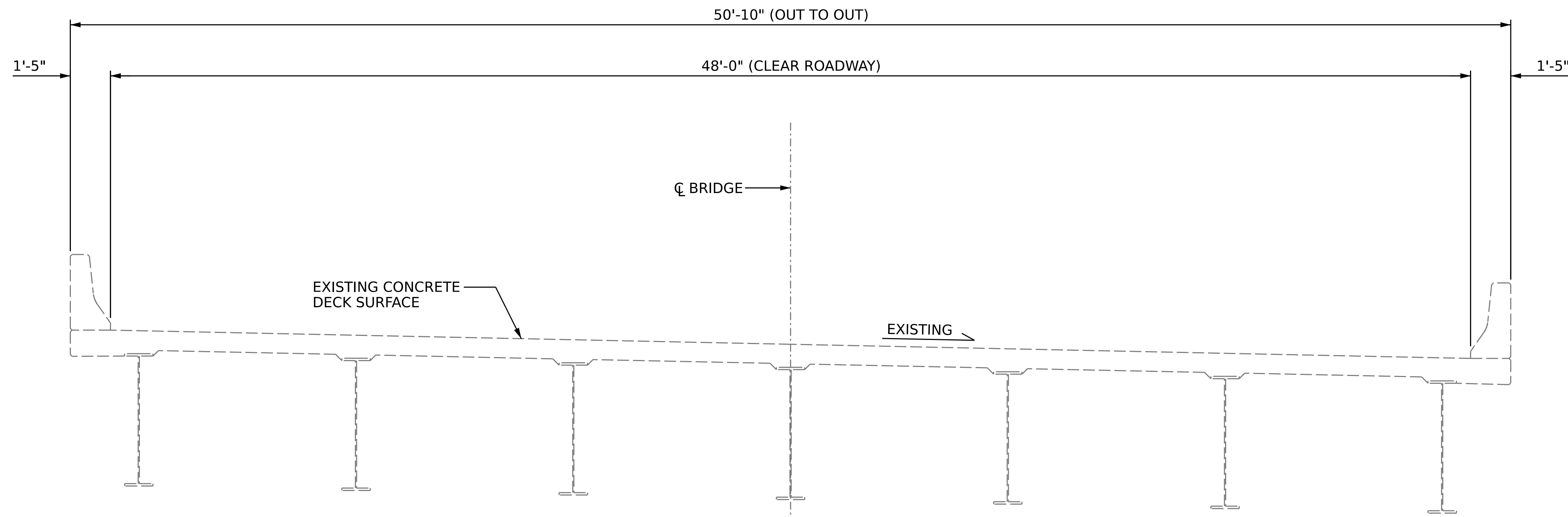


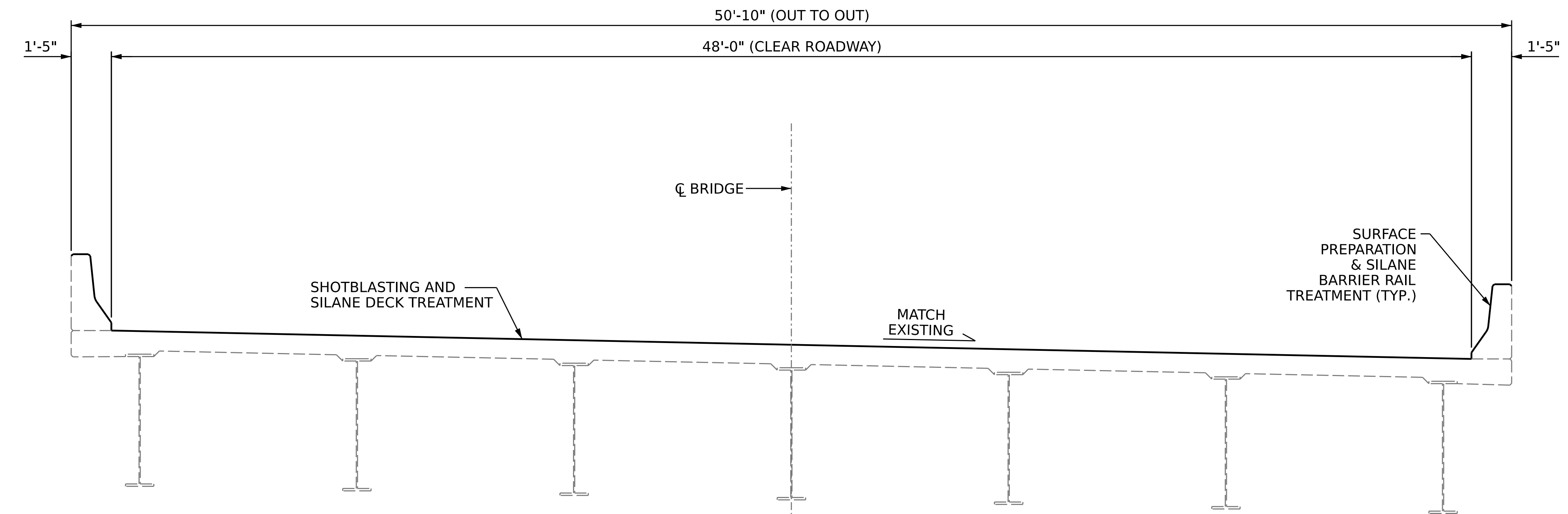
NOTES

SEE TRAFFIC PLANS FOR LANE WIDTH, SEQUENCING, AND OTHER TRAFFIC CONTROL MEASURES FOR STAGING OF SURFACE PREPARATION AND SILANE DECK TREATMENT.

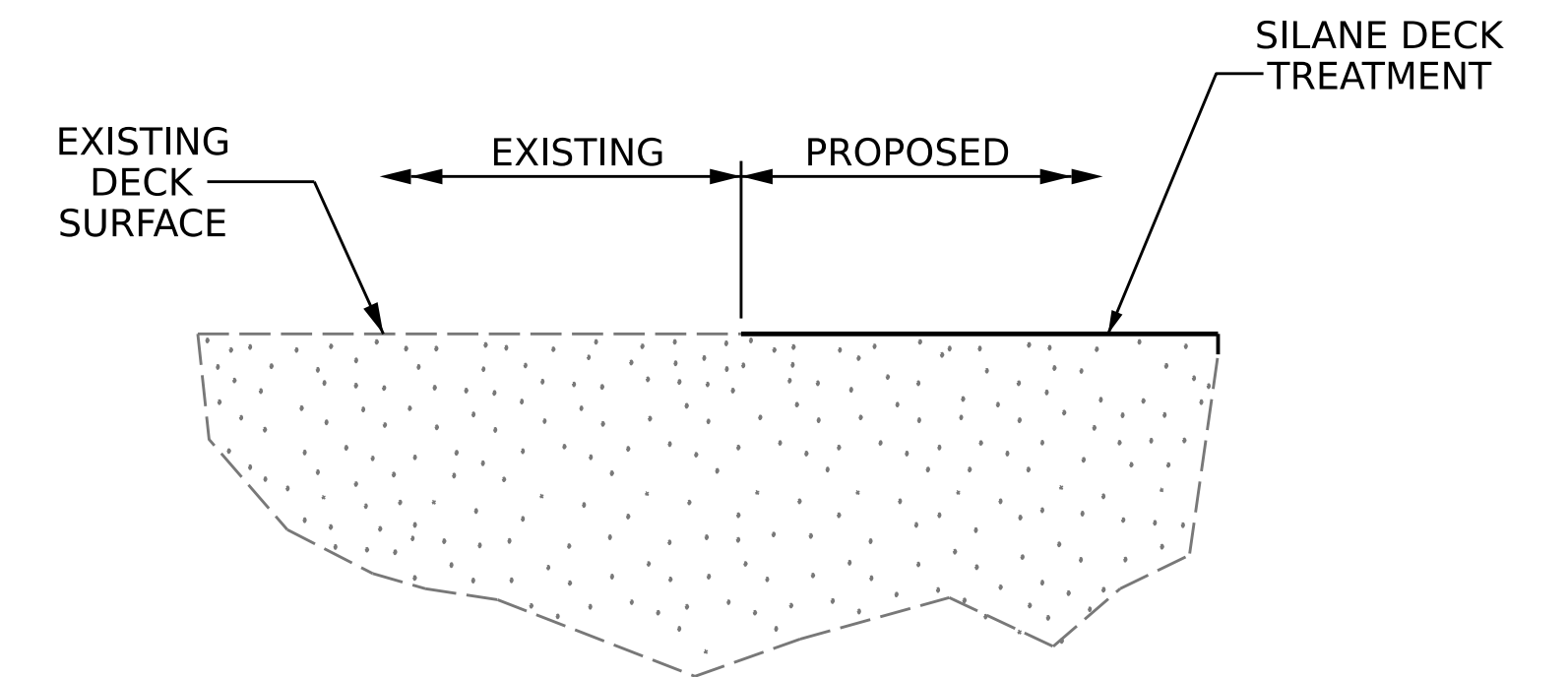
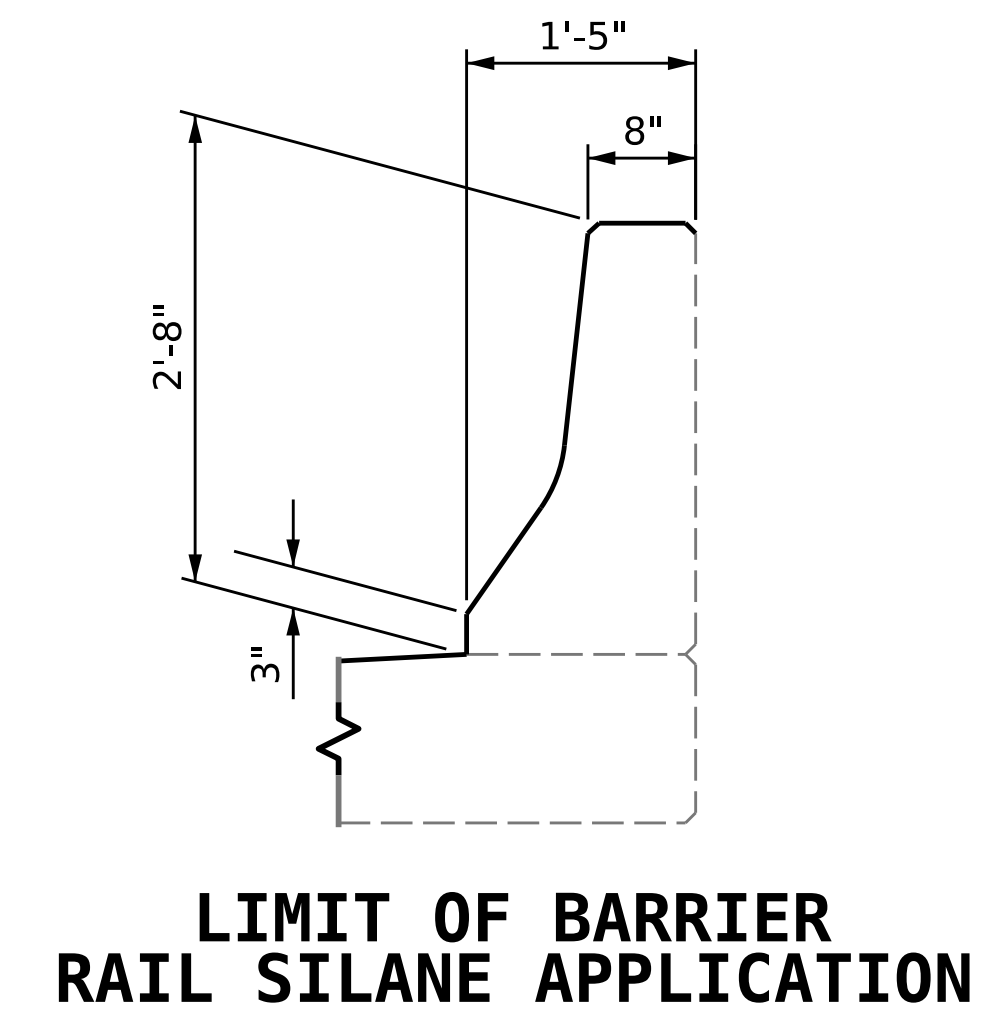
PROTECT TRAFFIC FROM REBOUND, DUST, OVERSPRAY, AND CONSTRUCTION ACTIVITIES. PROVIDE APPROPRIATE SHIELDING, AS REQUIRED AND/OR DIRECTED BY ENGINEER.



TYPICAL SECTION
(EXISTING)



TYPICAL SECTION
(PROPOSED)



SILANE DECK TREATMENT DETAIL

PROJECT NO. **HI-0017**
ROBESON COUNTY
BRIDGE NO. **770452**



STATE OF NORTH CAROLINA
DEPARTMENT OF TRANSPORTATION
RALEIGH
SUPERSTRUCTURE
TYPICAL SECTION
AND SILANE DECK
TREATMENT DETAILS

DRAWN BY : **N. VANDERMARK / J. BALDWIN** DATE : **6/2022**
CHECKED BY : **A. G. ABRAHA** DATE : **11/2022**
DESIGN ENGINEER OF RECORD: _____ DATE : _____

DOCUMENT NOT CONSIDERED
FINAL UNLESS ALL
SIGNATURES COMPLETED

| REVISIONS | | | | | | SHEET NO. |
|-----------|-----|-------|-----|-----|-------|-------------------|
| NO. | BY: | DATE: | NO. | BY: | DATE: | |
| 1 | | | 3 | | | S2-2 |
| 2 | | | 4 | | | TOTAL SHEETS 4 |