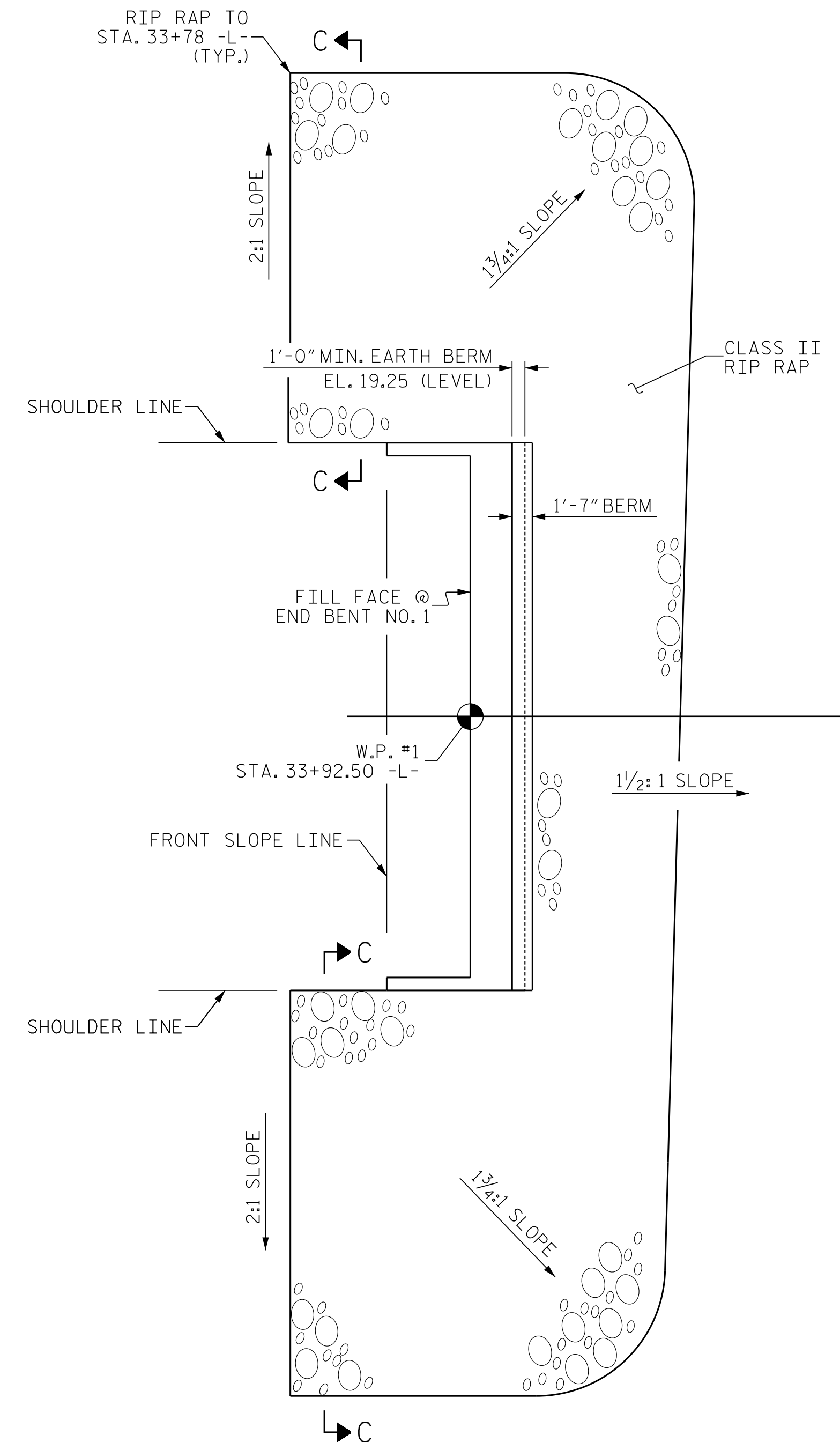
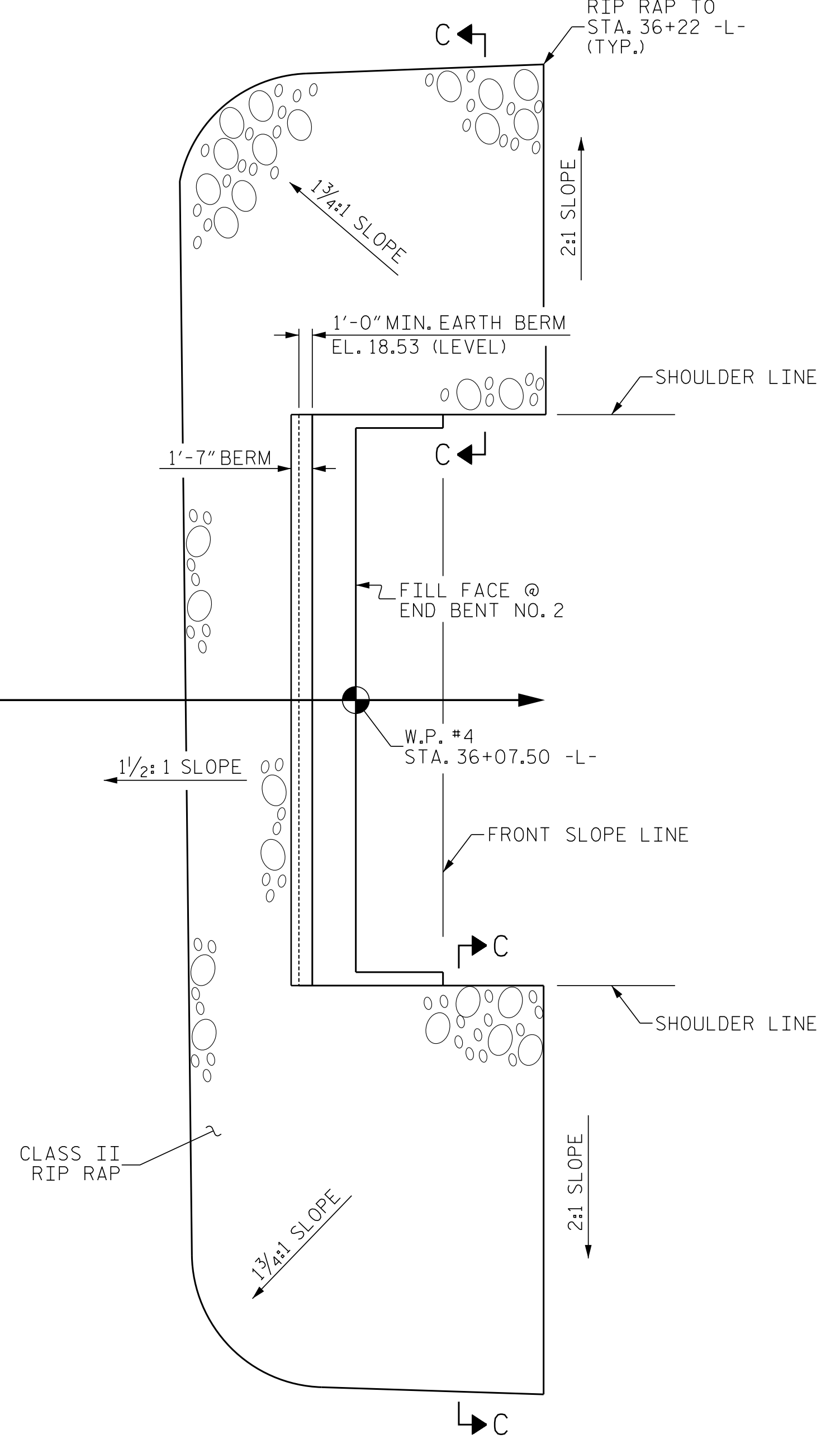


ESTIMATED QUANTITIES

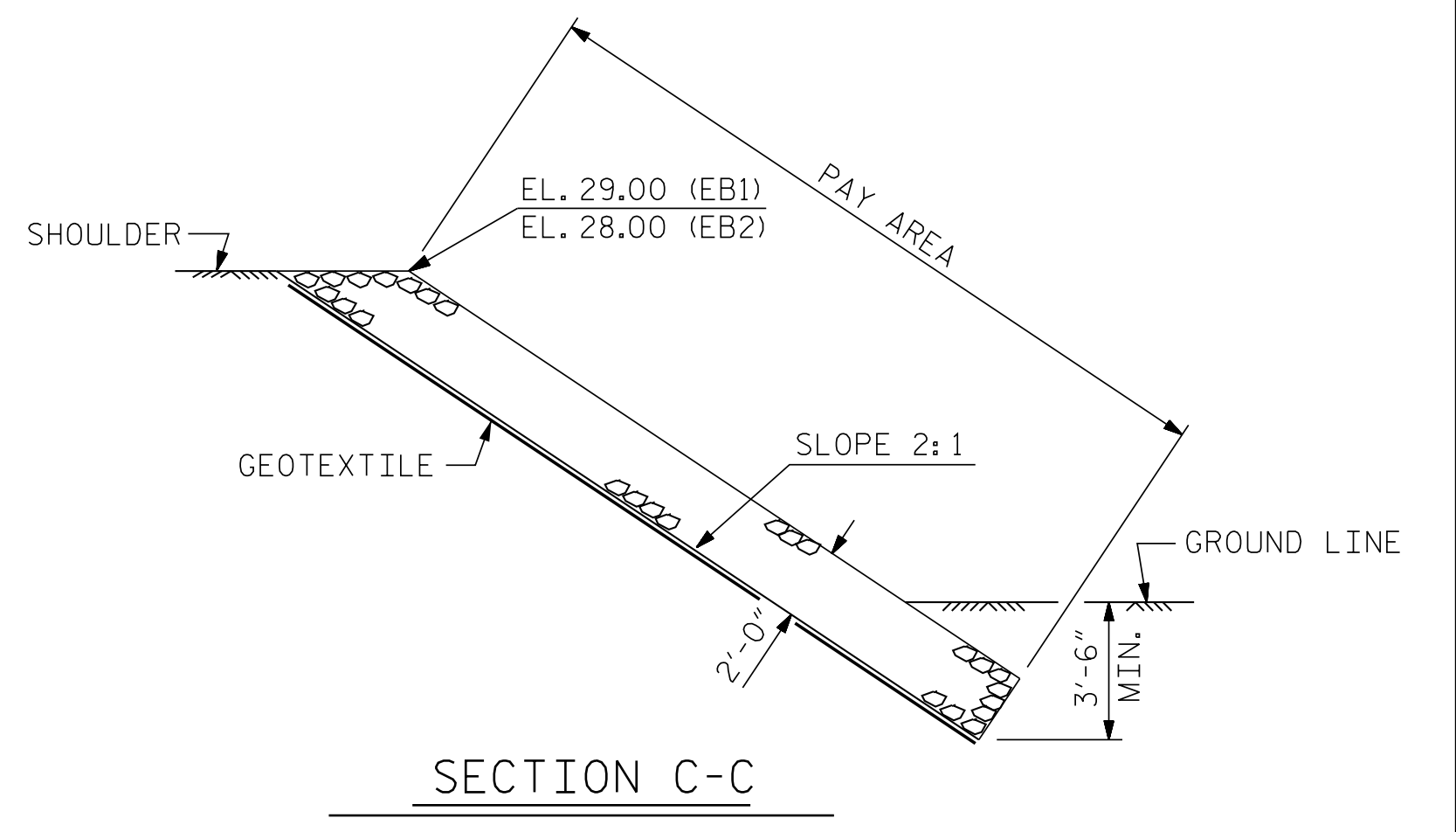
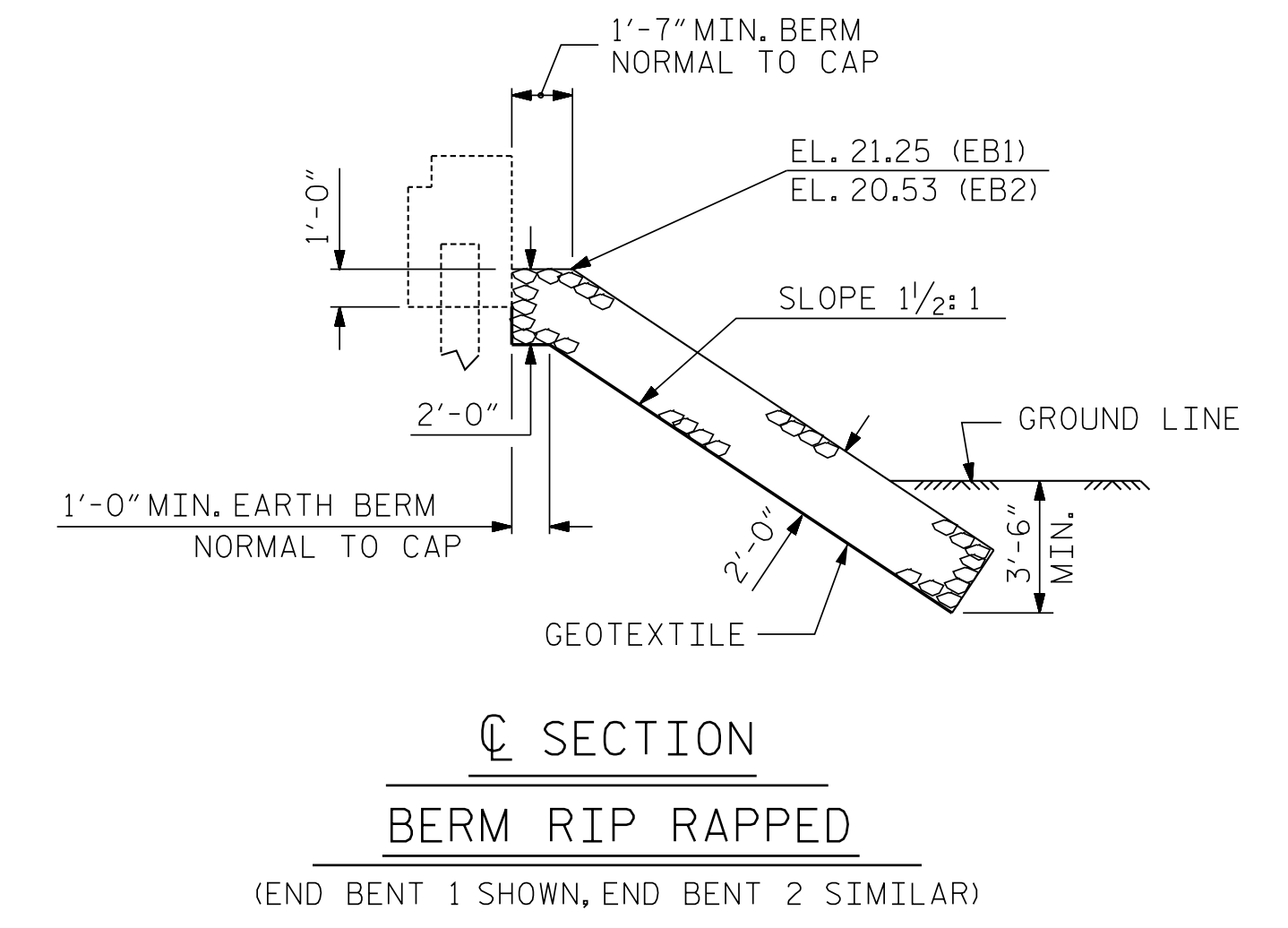
BRIDGE @ STA. 35+00.00 -L-	RIP RAP CLASS II (2'-0" THICK)	GEOTEXTILE FOR DRAINAGE
	TONS	SQUARE YARDS
END BENT NO. 1	270	300
END BENT NO. 2	212	236
TOTAL	482	536



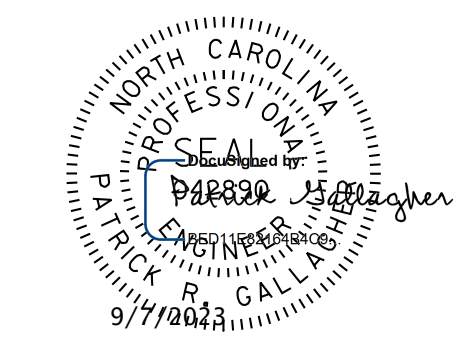
PLAN @ END BENT NO. 1



PLAN @ END BENT NO. 2



PROJECT NO. B-4926  
LENOIR COUNTY  
 STATION: 35+00.00 -L-



STATE OF NORTH CAROLINA  
 DEPARTMENT OF TRANSPORTATION  
 RALEIGH  
 STANDARD  
 RIP RAP DETAILS

**DOCUMENT NOT CONSIDERED FINAL  
 UNLESS ALL SIGNATURES COMPLETED**

**JWT** Johnson, Mirmiran, & Thompson Inc.  
 4700 Falls of Neuse Rd, Suite 100,  
 Raleigh, NC, 27609  
 License No: C-3097

REVISIONS						SHEET NO.
NO.	BY:	DATE:	NO.	BY:	DATE:	S2-37
1			3			TOTAL SHEETS
2			4			39

W:\CADD\Structures\0317-01 - B-4926 Lenoir\_20 & 3A Structures\Lenoir\_3A\Drawings\03\_17\_23\_094926\_SML\_RR01\_S37.dgn  
 DATE: 02/25 PM on Wednesday, September 06, 2023  
 TIME: 02:35 PM

DWN. BY: WDC	DATE: 03/2023	DRAWN BY: REK 1/84	REV. 10/1/11	MAA/GM
CHKD. BY: PRG	DATE: 03/2023	CHECKED BY: RDU 1/84	REV. 12/21/11	MAA/GM
DES. EGR. OF RECORD: PRG	DATE: 03/2023		REV. 12/17	MAA/THC