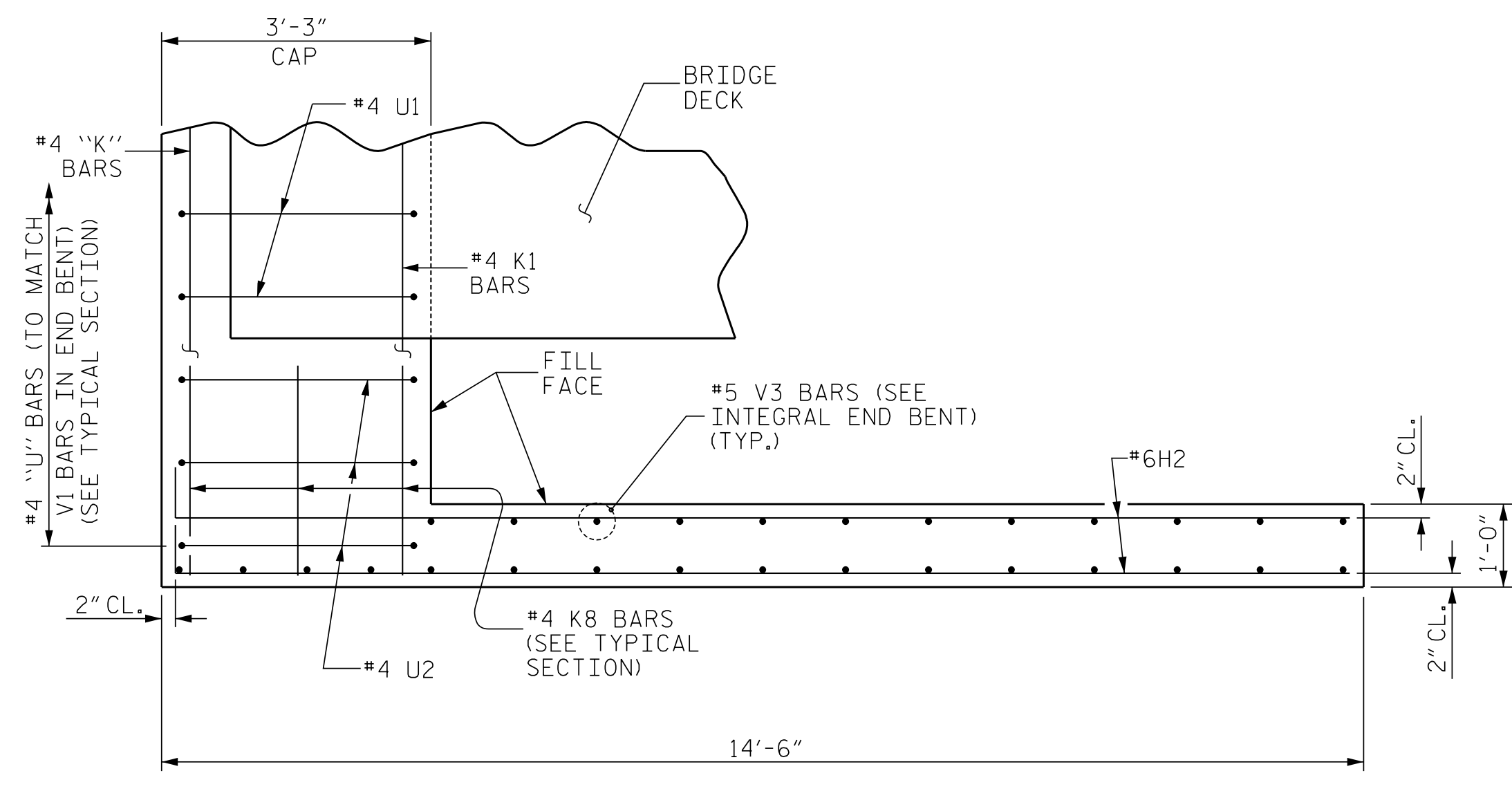
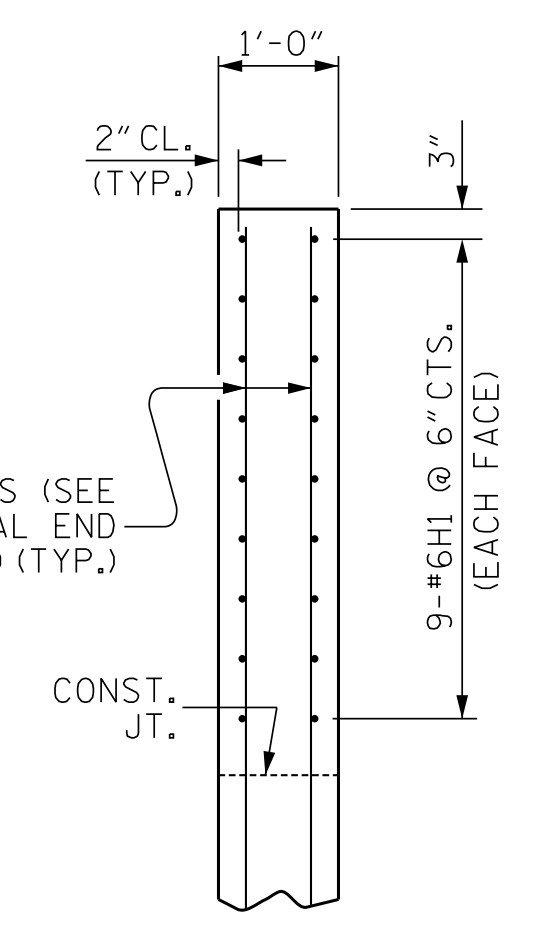


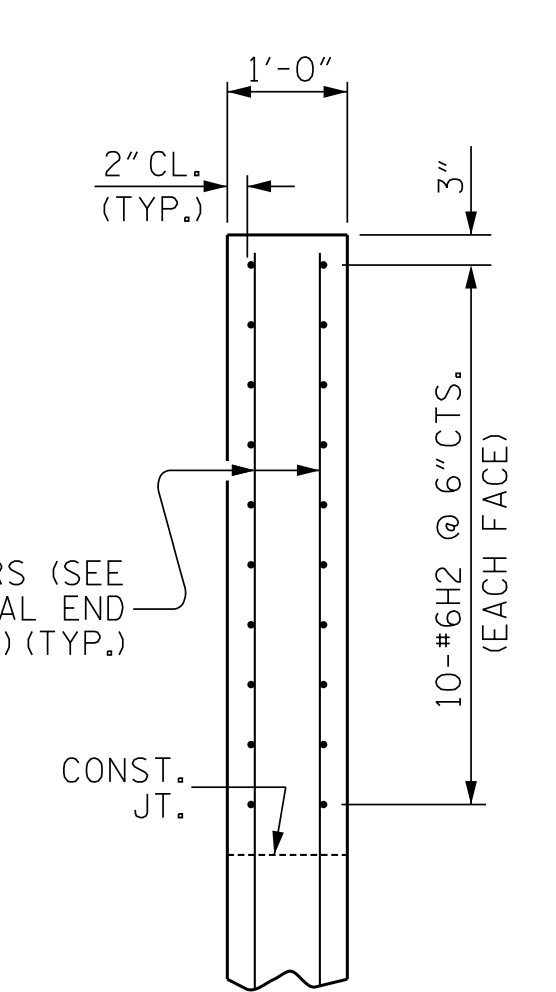
PLAN OF UPPER WING (W1)



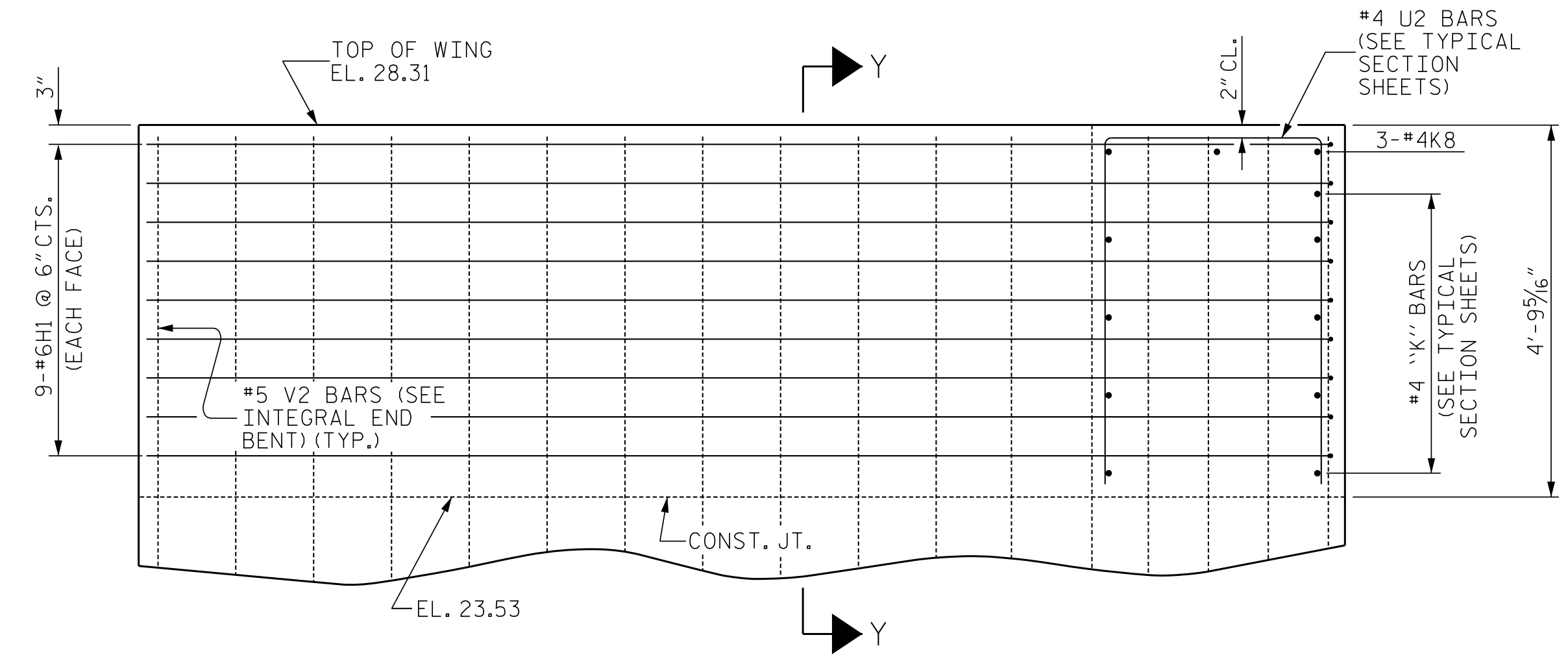
PLAN OF UPPER WING (W2)



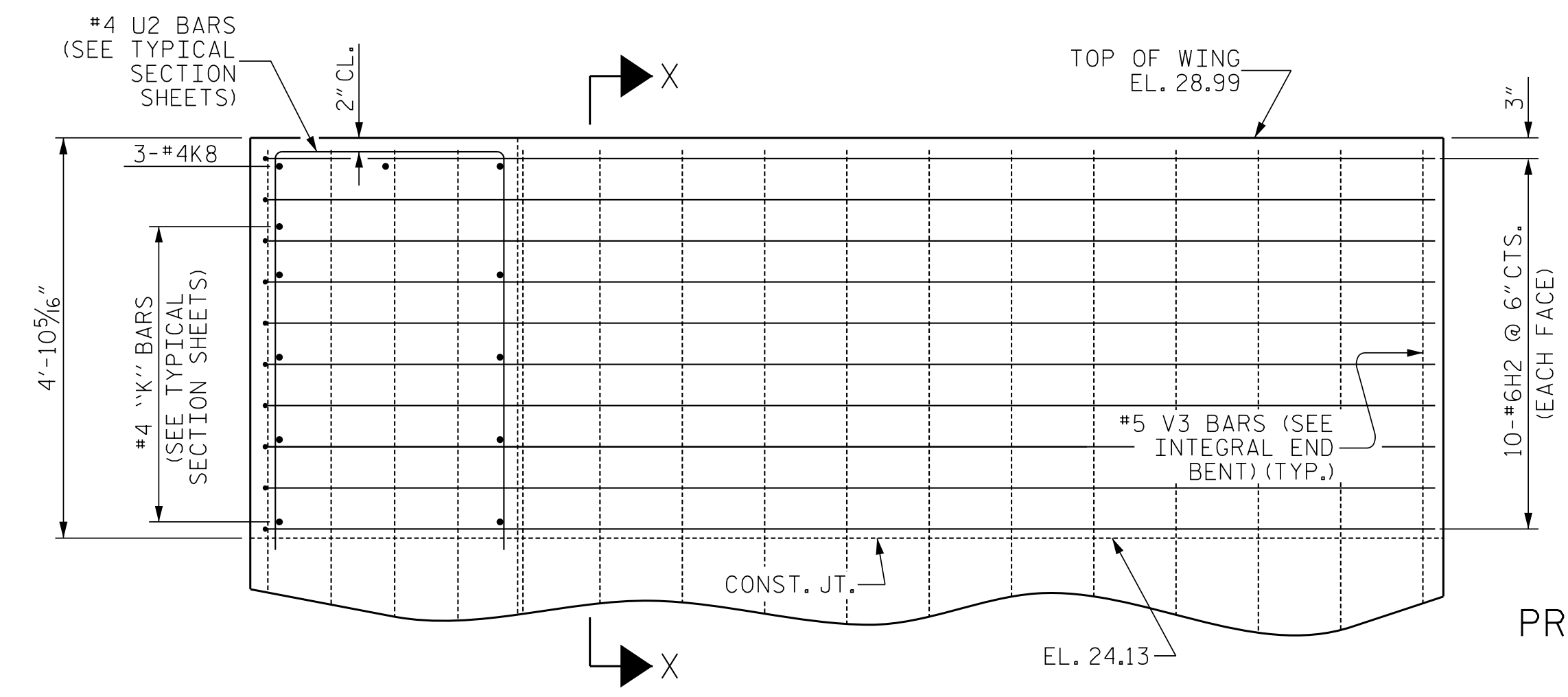
SECTION Y-Y



SECTION X-X



ELEVATION OF UPPER WING (W1)

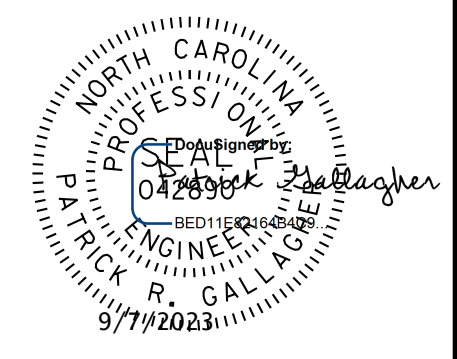


ELEVATION OF UPPER WING (W2)

FOR LOWER WING REINFORCING STEEL AND DETAILS, SEE END BENT WING DETAILS SHEET.

PROJECT NO. B-4926
 LENOIR COUNTY
 STATION: 35+00.00 -L-

SHEET 5 OF 5



STATE OF NORTH CAROLINA
 DEPARTMENT OF TRANSPORTATION
 RALEIGH

SUPERSTRUCTURE
 PLAN OF SPANS
 DETAILS AT
 END BENT NO. 2

**DOCUMENT NOT CONSIDERED FINAL
 UNLESS ALL SIGNATURES COMPLETED**

JMT Johnson, Mirmiran, & Thompson Inc.
 4700 Falls of Neuse Rd, Suite 100,
 Raleigh, NC, 27609
 License No: C-3097

REVISIONS						SHEET NO.
NO.	BY:	DATE:	NO.	BY:	DATE:	S2-13
1			3			TOTAL SHEETS
2			4			39

W:\Projects\2023\B-4926\Lenoir\20_83A\Structures\Lenoir_3A\Plans\W2_025_B4926_S1U1_P505_513.dgn
 DWG: 02/23/2023 10:54 AM on Wednesday, September 06, 2023
 TIME: 10:54 AM on Wednesday, September 06, 2023

DWN. BY: WDC DATE: 03/2023
 CHKD. BY: PRG DATE: 03/2023
 DES. EGR. OF RECORD: PRG DATE: 03/2023