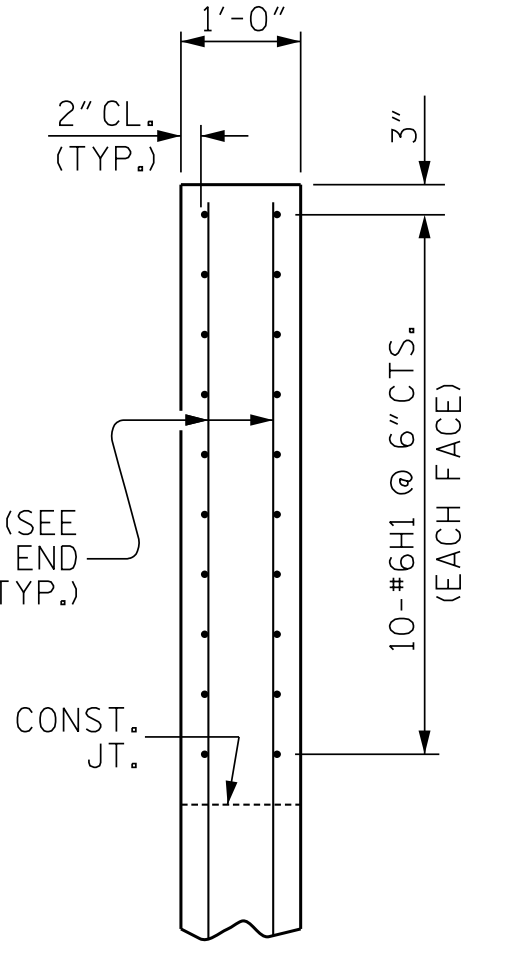
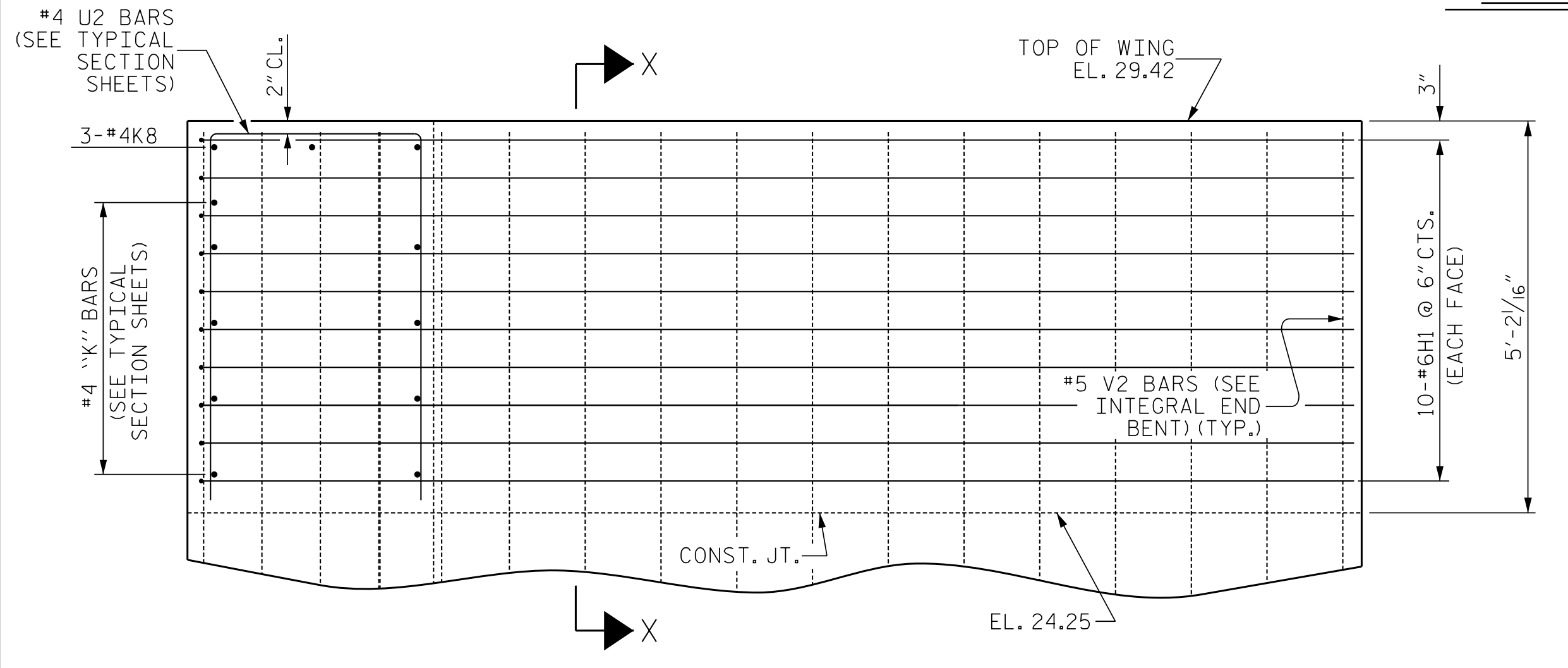


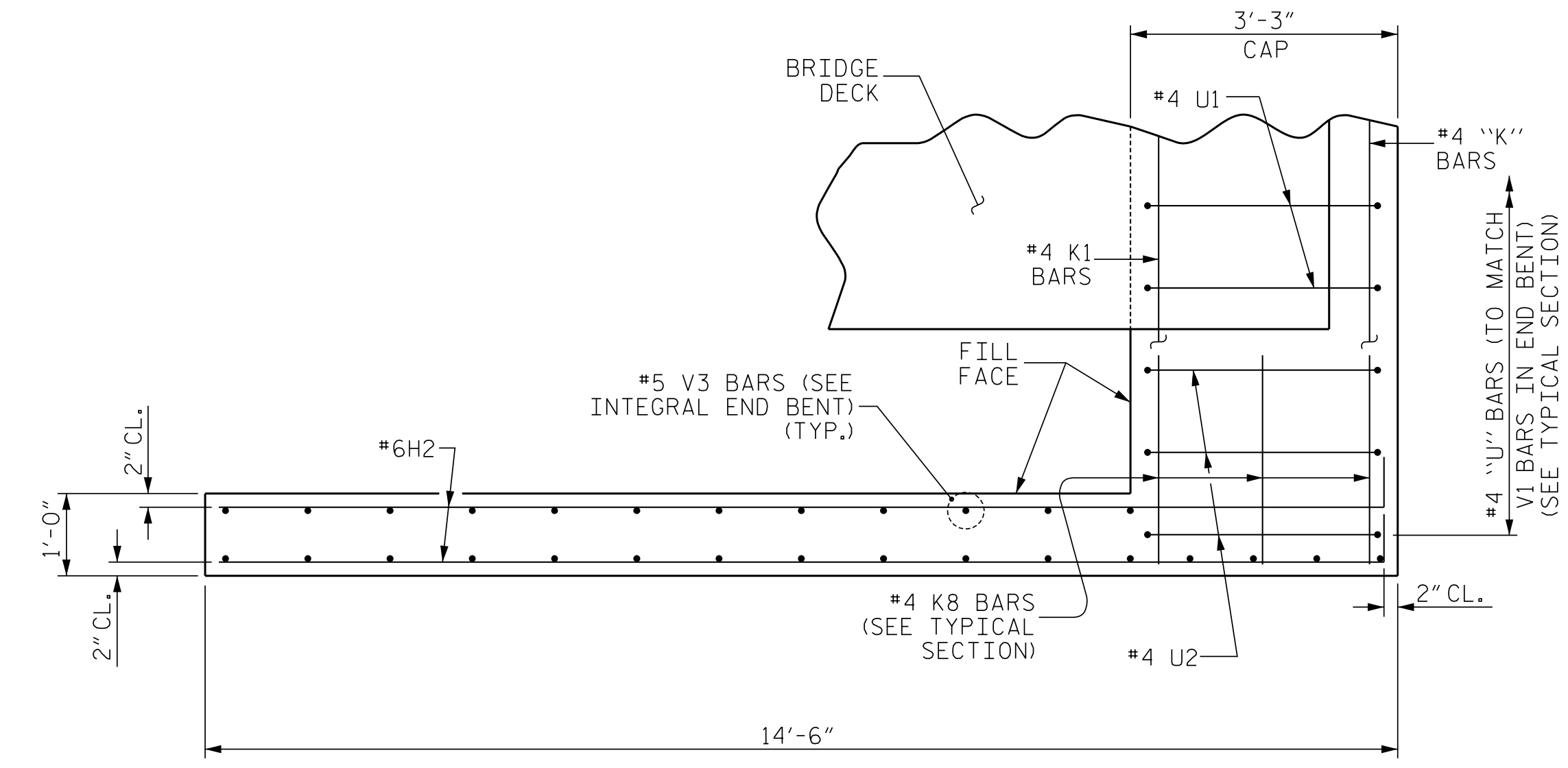
PLAN OF UPPER WING (W1)



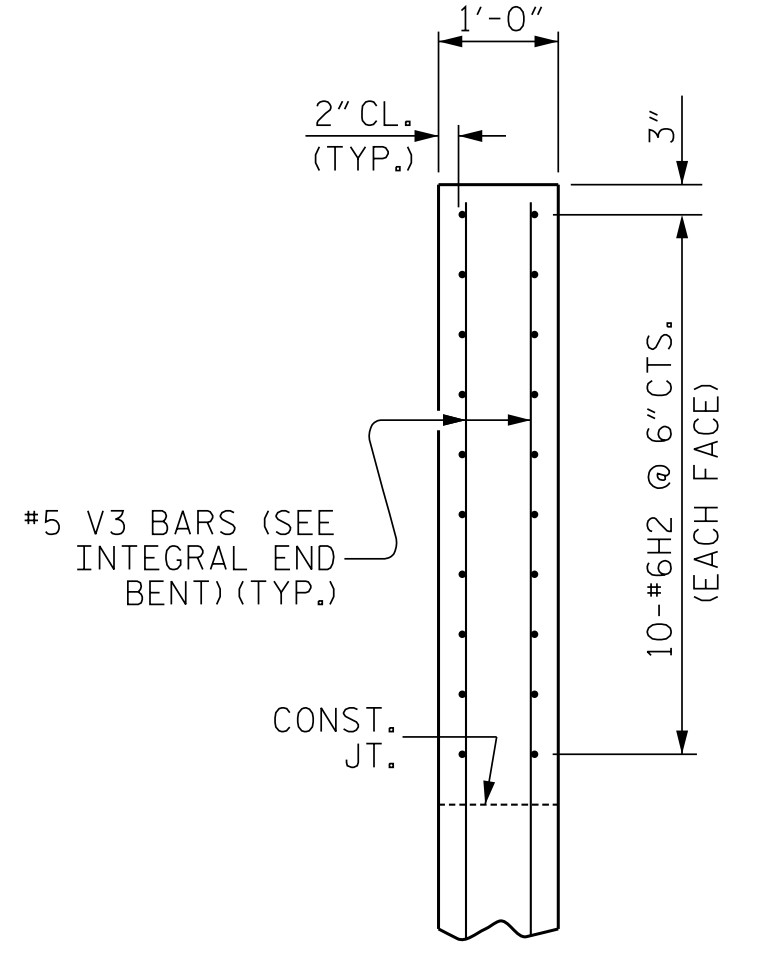
SECTION X-X



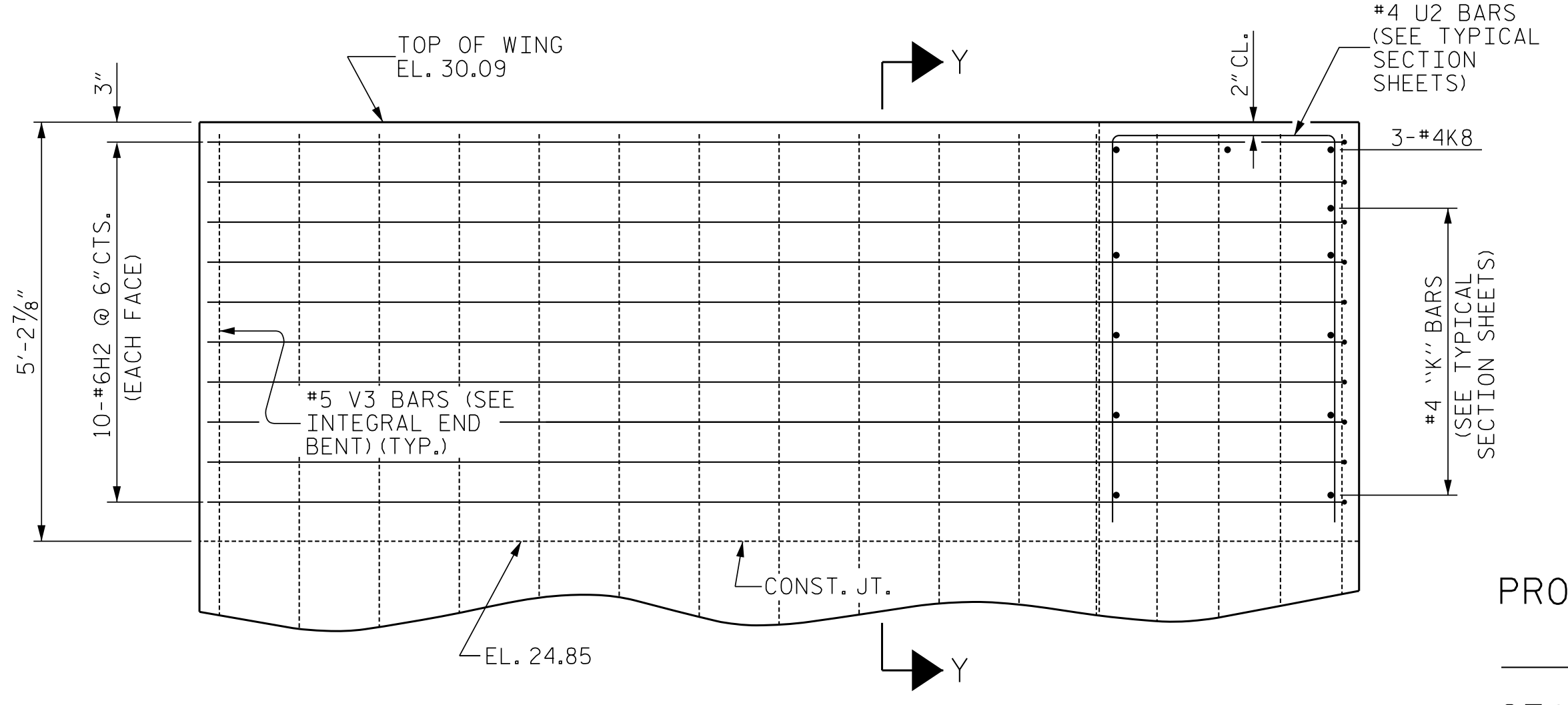
ELEVATION OF UPPER WING (W1)



PLAN OF UPPER WING (W2)



SECTION Y-Y



ELEVATION OF UPPER WING (W2)

FOR LOWER WING REINFORCING STEEL AND DETAILS, SEE END BENT WING DETAILS SHEET.

PROJECT NO. B-4926
LENOIR COUNTY
STATION: 35+00.00 -L-

SHEET 4 OF 5



STATE OF NORTH CAROLINA
DEPARTMENT OF TRANSPORTATION
RALEIGH

SUPERSTRUCTURE
PLAN OF SPANS
DETAILS AT
END BENT NO. 1

DOCUMENT NOT CONSIDERED FINAL UNLESS ALL SIGNATURES COMPLETED



Johnson, Mirmiran, & Thompson Inc.
4700 Falls of Neuse Rd, Suite 100,
Raleigh, NC, 27609
License No: C-3097

REVISIONS						SHEET NO.	
NO.	BY:	DATE:	NO.	BY:	DATE:	S2-12	
1			3			TOTAL SHEETS	
2			4			39	

W:\Projects\2023\B-4926\LENOIR\3A\Structures\LENOIR_3A\Plans\W2_023_B4926_S1W1_P504_S12.dgn
 DWN. BY: WDC DATE: 03/2023
 CHKD. BY: PRG DATE: 03/2023
 DES. EGR. OF RECORD: PRG DATE: 03/2023