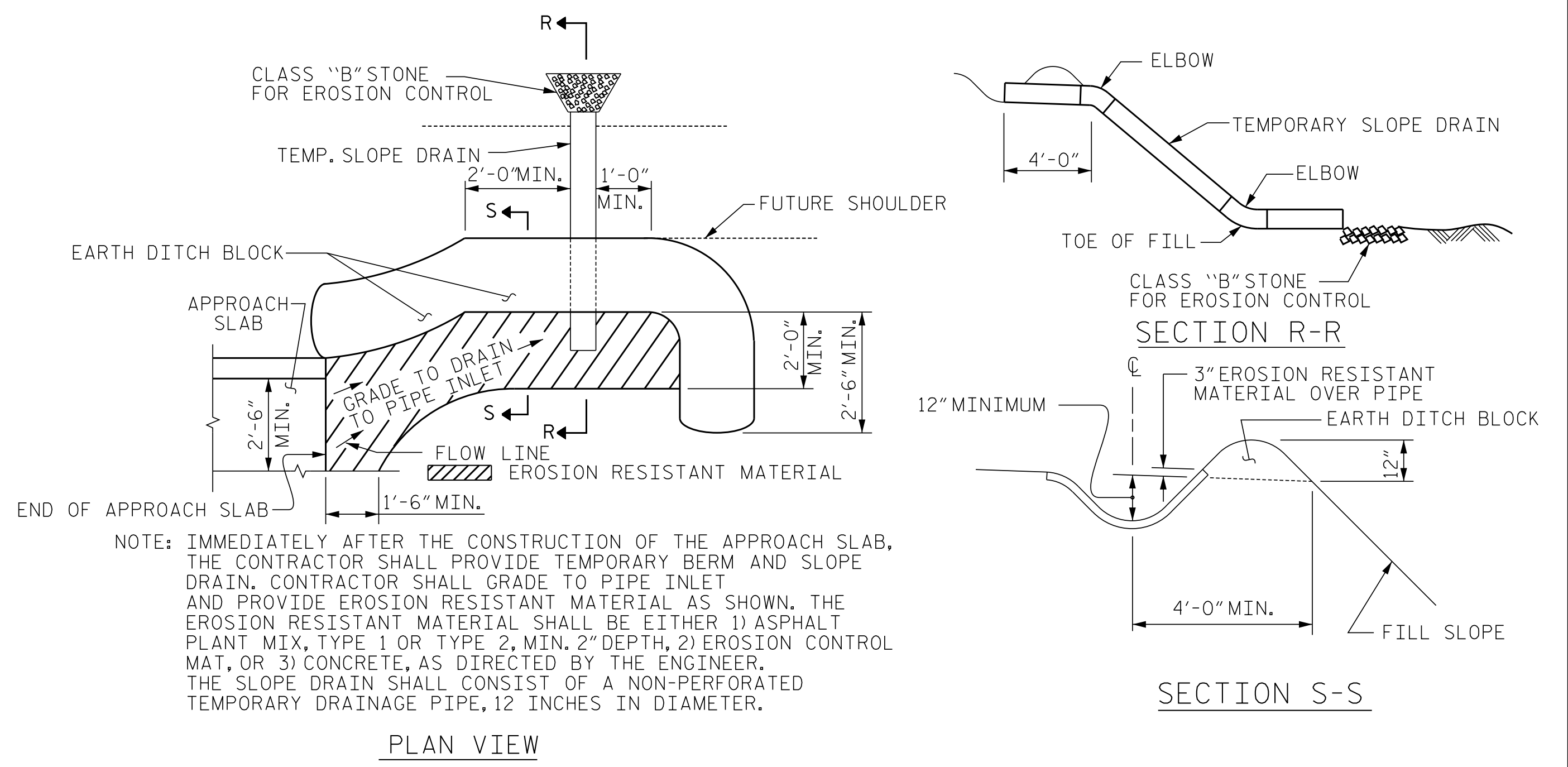
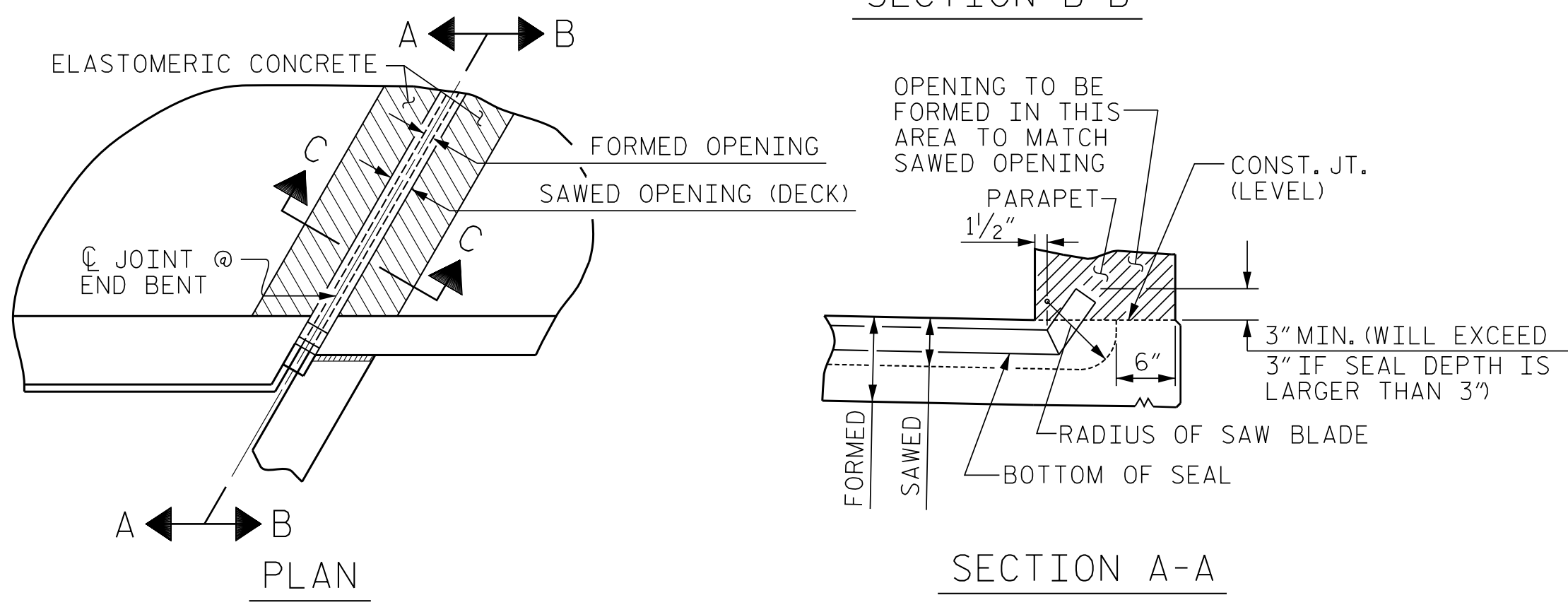
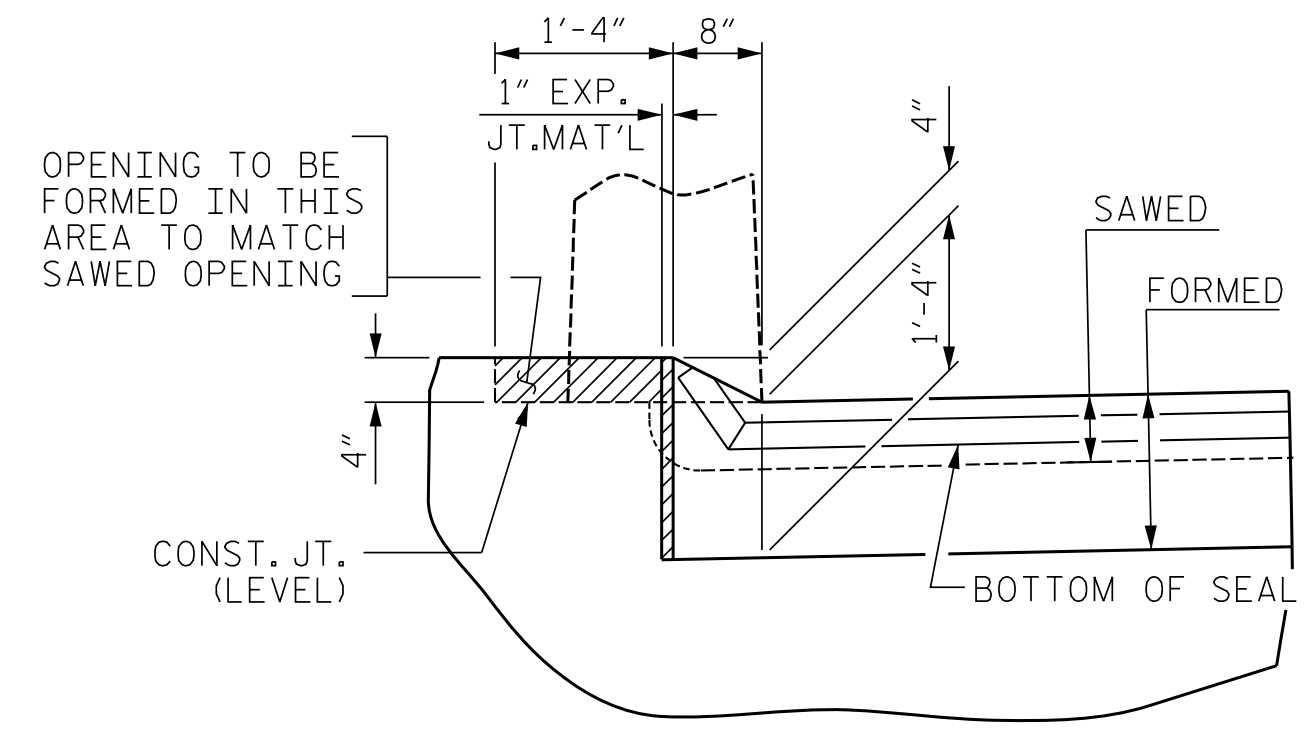


ELASTOMERIC CONCRETE	
END BENT NO.	ELASTOMERIC CONCRETE * (CU. FT.)
1	5.9
2	5.9
TOTAL	11.8

* BASED ON THE MINIMUM BLOCKOUT SHOWN.

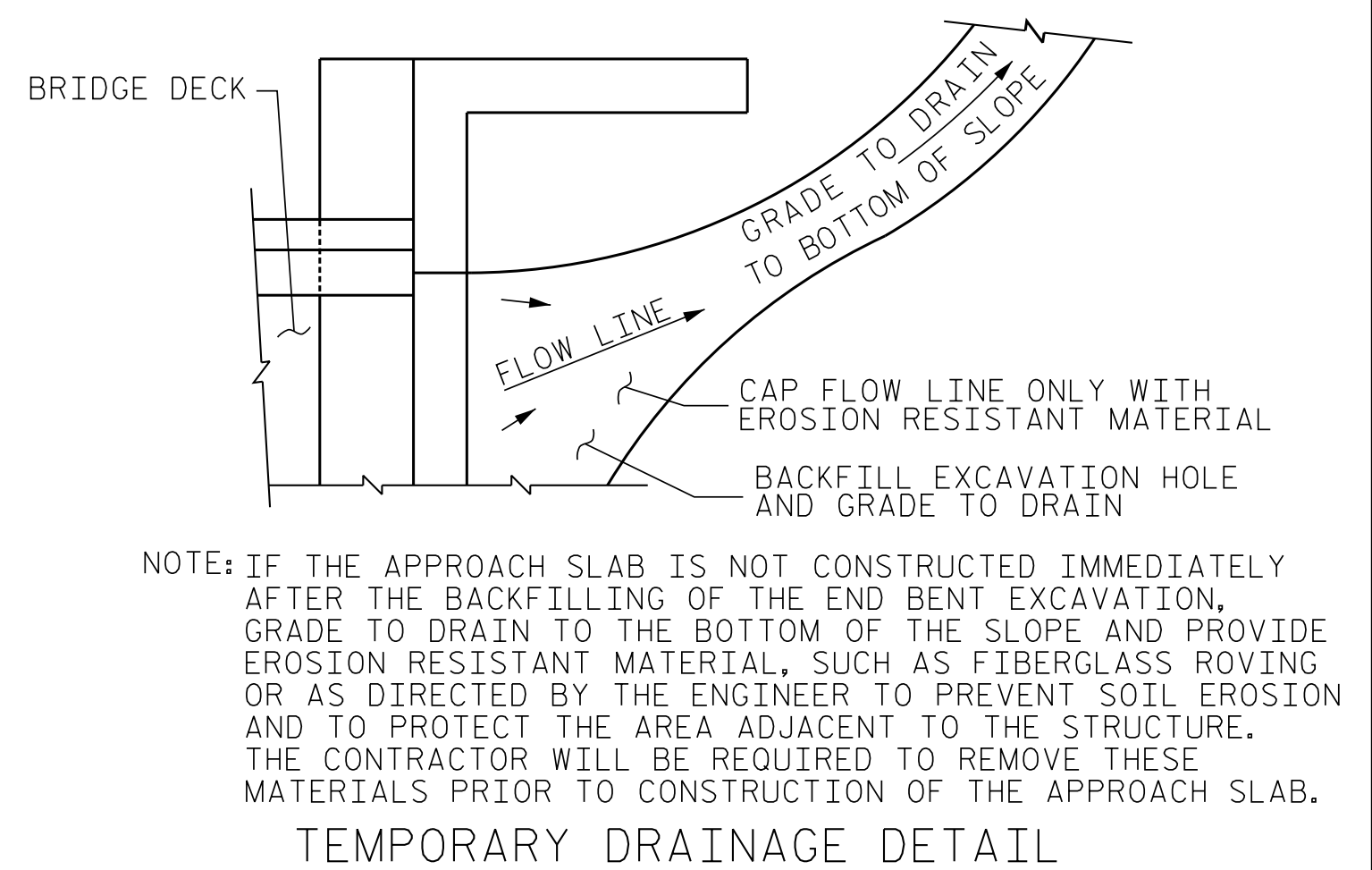


TEMPORARY BERM AND SLOPE DRAIN DETAILS
(TO BE USED WHEN SHOULDER BERM GUTTER IS REQUIRED)

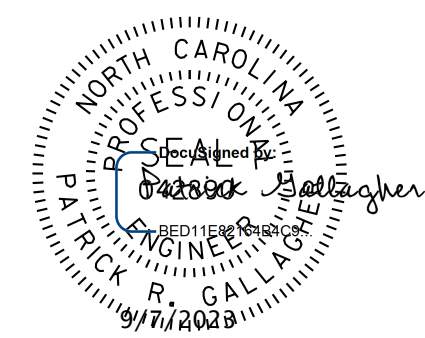


JOINT SEAL DETAILS @ END BENT

FOAM JOINT SEAL TO BE CUT, HEAT WELDED AND TURNED UP PARALLEL TO SLOPED FACE OF THE PARAPET.
THE JOINT SHALL BE SAWED PRIOR TO THE CASTING OF THE PARAPET.



PROJECT NO. B-4926
LENOIR COUNTY
STATION: 25+45.00 -L-
SHEET 2 OF 2



STATE OF NORTH CAROLINA
DEPARTMENT OF TRANSPORTATION
RALEIGH
STANDARD
BRIDGE APPROACH
SLAB DETAILS

**DOCUMENT NOT CONSIDERED FINAL
UNLESS ALL SIGNATURES COMPLETED**

Johnson, Mirmiran, & Thompson Inc.
4700 Falls of Neuse Rd, Suite 100,
Raleigh, NC, 27609
License No: C-3097

REVISIONS						SHEET NO.
NO.	BY:	DATE:	NO.	BY:	DATE:	S1-49
1			3			TOTAL SHEETS
2			4			49

STD. NO. BAS4

W:\CADD\Structures\0317-01 - B-4926 Lenoir 20 & 3A Structures\Lenoir 20\Drawings\099_B4926_SML_A502_049.dgn
 DATE: 03/23 PM on Wednesday, September 06, 2023
 TIME: 01:33

DWN. BY: WDC	DATE: 03/2023	DRAWN BY: FCJ	11/88	REV. 6/13	MAA/GM
CHKD. BY: PRG	DATE: 03/2023	CHECKED BY: ARB	11/88	REV. 12/17	MAA/THC
DES. EGR. OF RECORD: PRG	DATE: 03/2023			REV. 5/18	MAA/THC