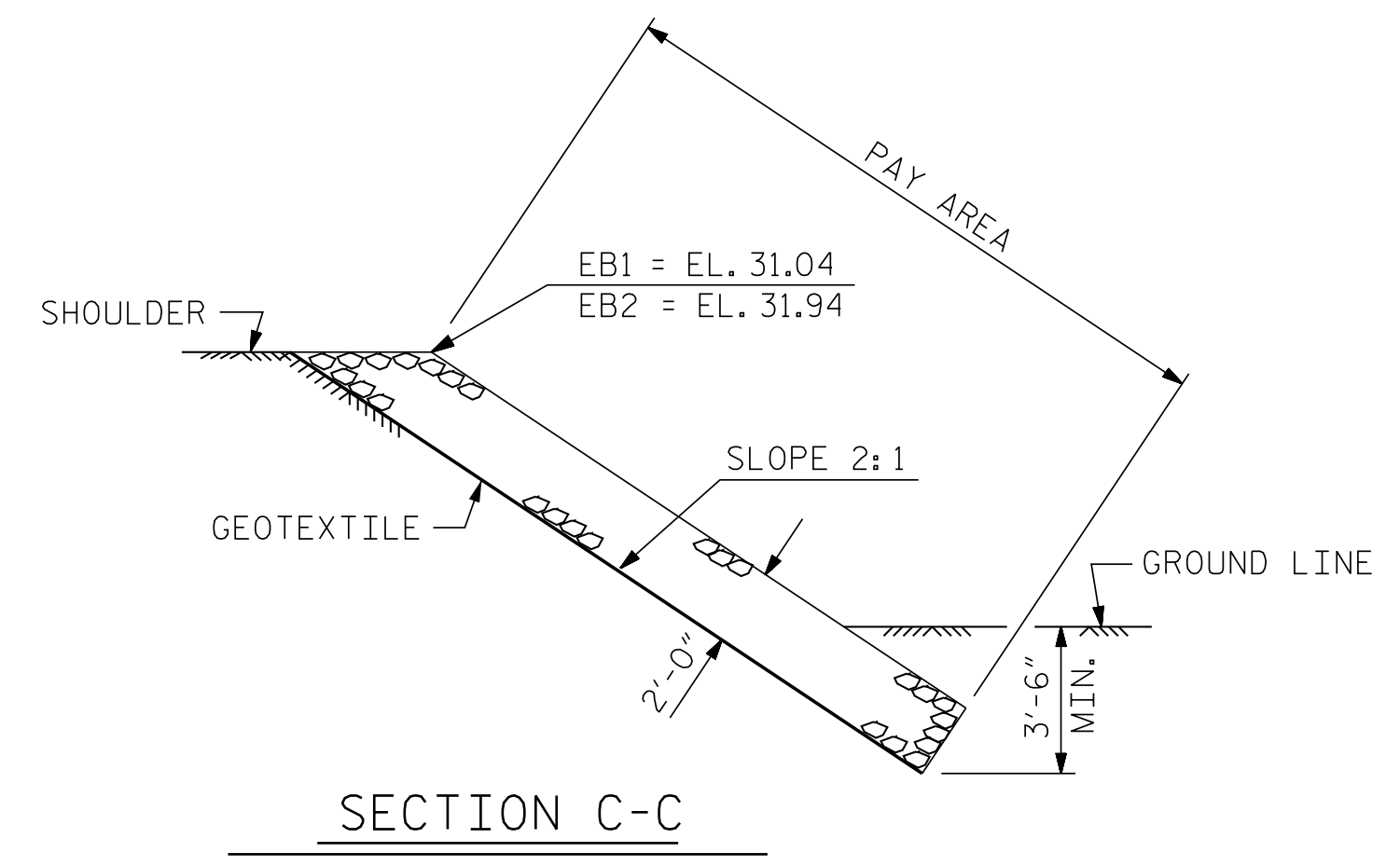
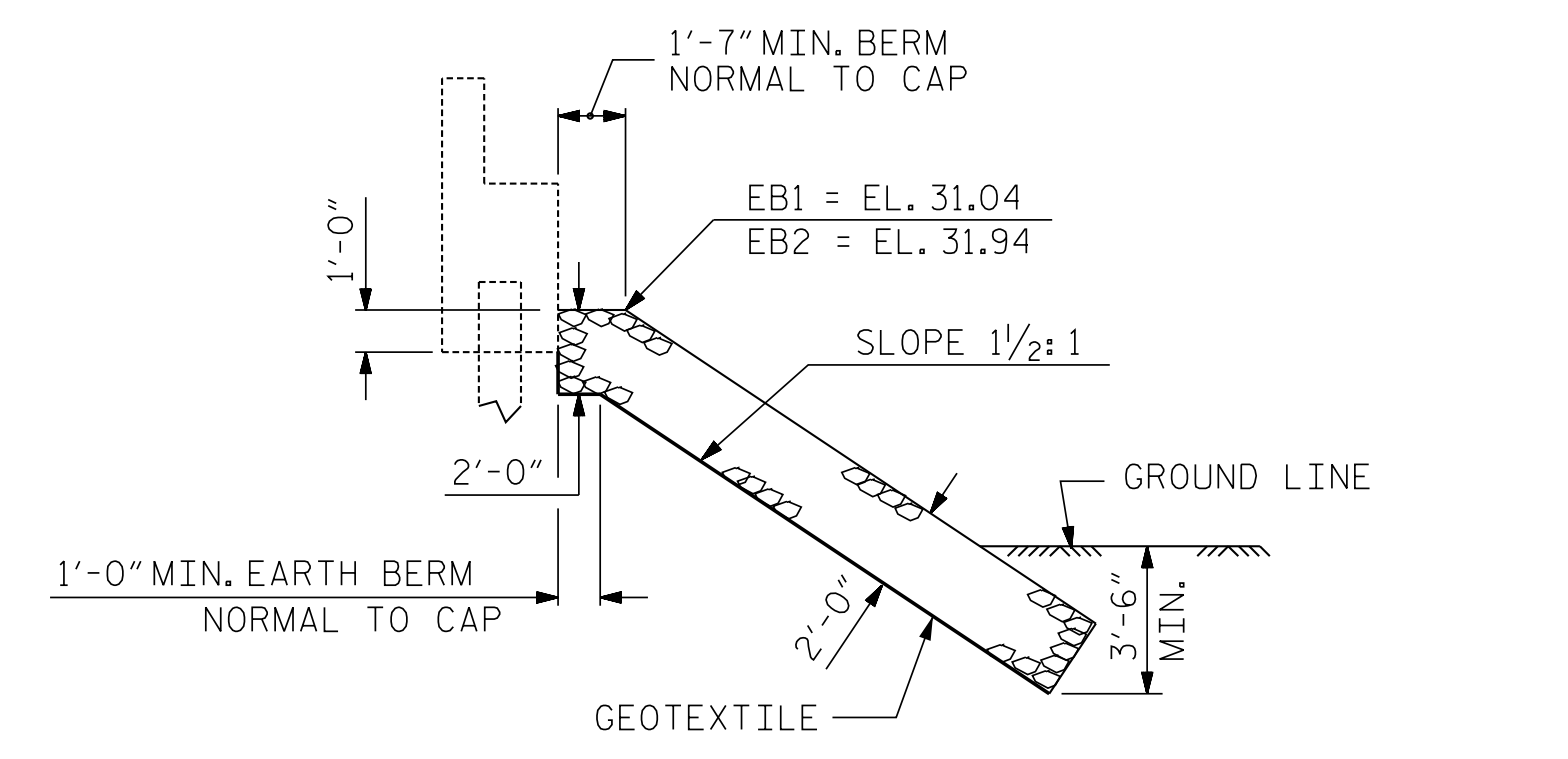
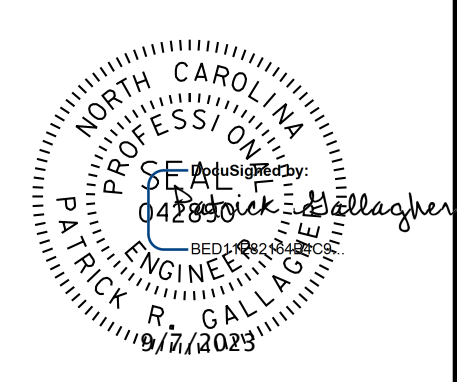


ESTIMATED QUANTITIES		
BRIDGE @ STA. 25+45.00 -L-	RIP RAP CLASS II (2'-0" THICK)	GEOTEXTILE FOR DRAINAGE
	TONS	SQUARE YARDS
END BENT NO. 1	487	492
END BENT NO. 2	442	446
TOTAL	929	938



PROJECT NO. B-4926
LENOIR COUNTY
STATION: 25+45.00 -L-



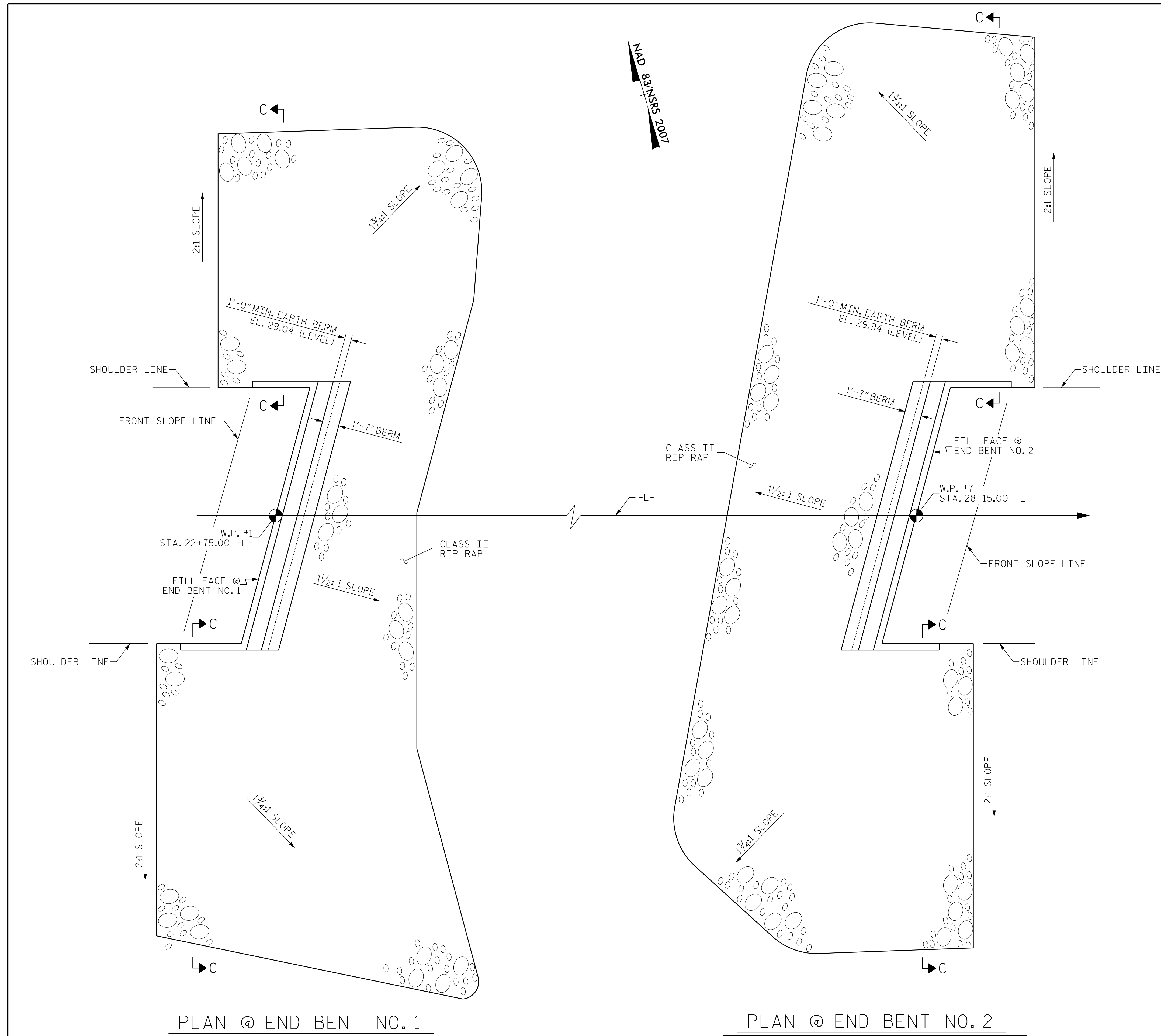
STATE OF NORTH CAROLINA
DEPARTMENT OF TRANSPORTATION
RALEIGH
STANDARD
RIP RAP DETAILS

**DOCUMENT NOT CONSIDERED FINAL
UNLESS ALL SIGNATURES COMPLETED**

Johnson, Mirmiran, & Thompson Inc.
4700 Falls of Neuse Rd, Suite 100,
Raleigh, NC, 27609
License No: C-3097

REVISIONS						SHEET NO.	
NO.	BY:	DATE:	NO.	BY:	DATE:	S1-47	
1			3			TOTAL SHEETS 49	
2			4				

STD. NO. RR1



W:\CADD\Structures\031717-01 - B-4926 Lenoir 20 83A\Structures\Lenoir 20\Drawings\095_B4926_SML_P101.dwg
 DATE: 03/23 PM on Wednesday, September 06, 2023
 TIME: 01:33

DWN. BY: WDC	DATE: 03/2023	DRAWN BY: REK	1/84	REV. 10/1/11	MAA/GM
CHKD. BY: PRG	DATE: 03/2023	CHECKED BY: RDU	1/84	REV. 12/21/11	MAA/GM
DES. EGR. OF RECORD: PRG	DATE: 03/2023			REV. 12/17	MAA/THC