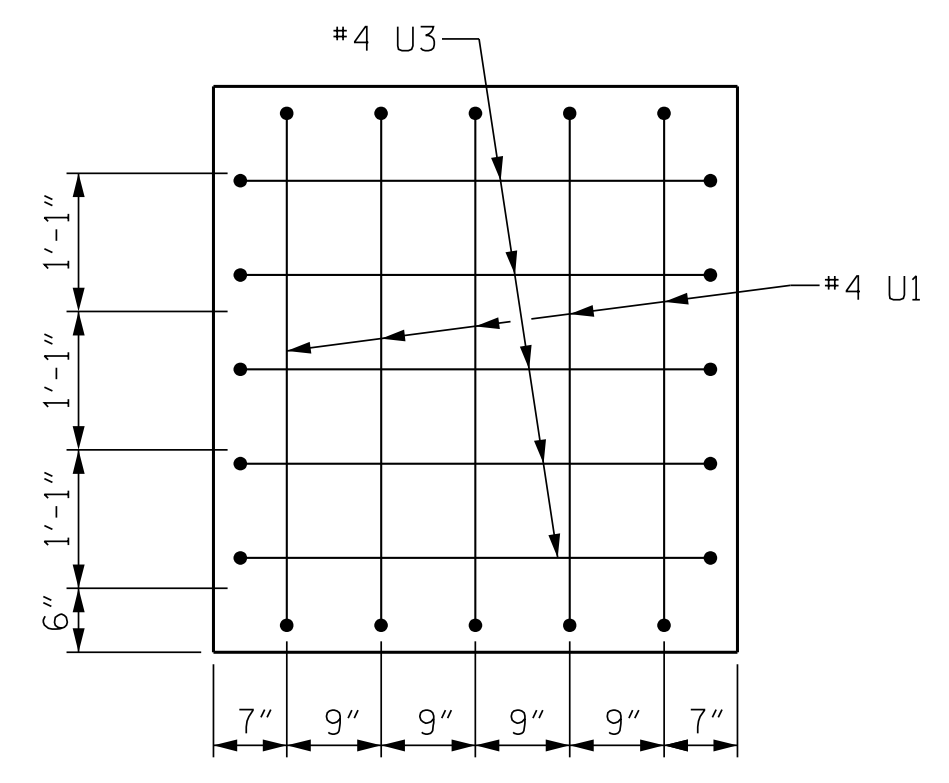
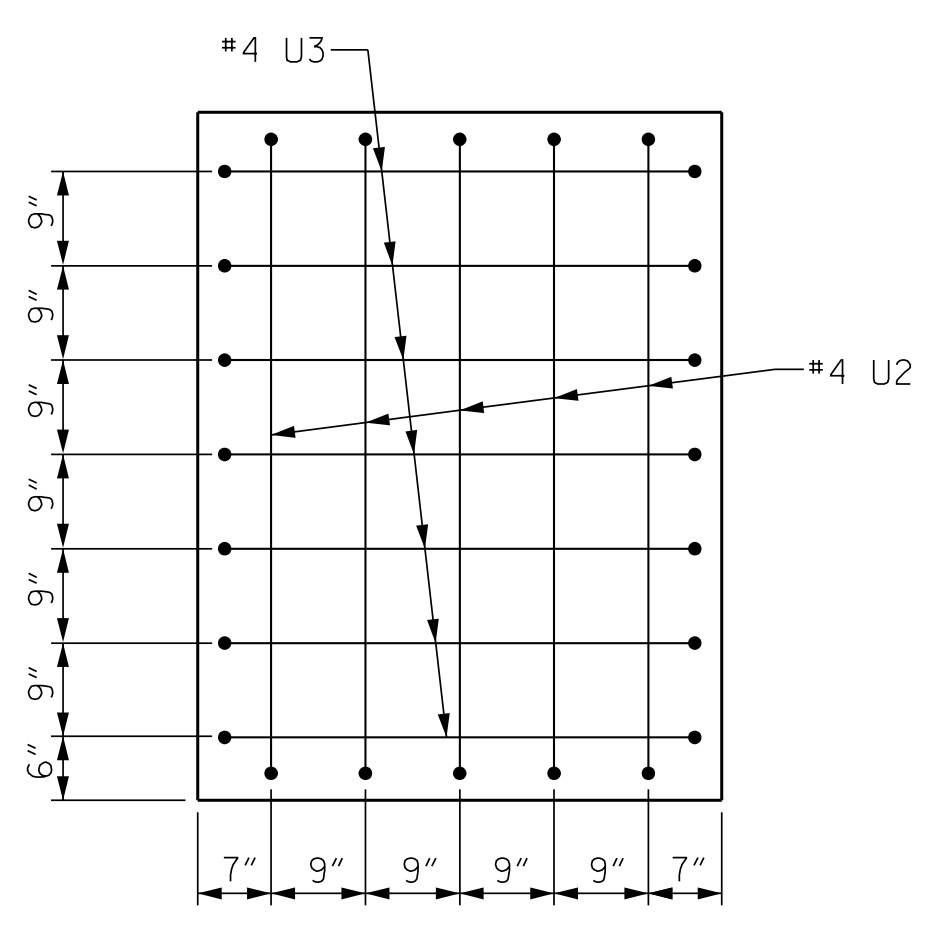
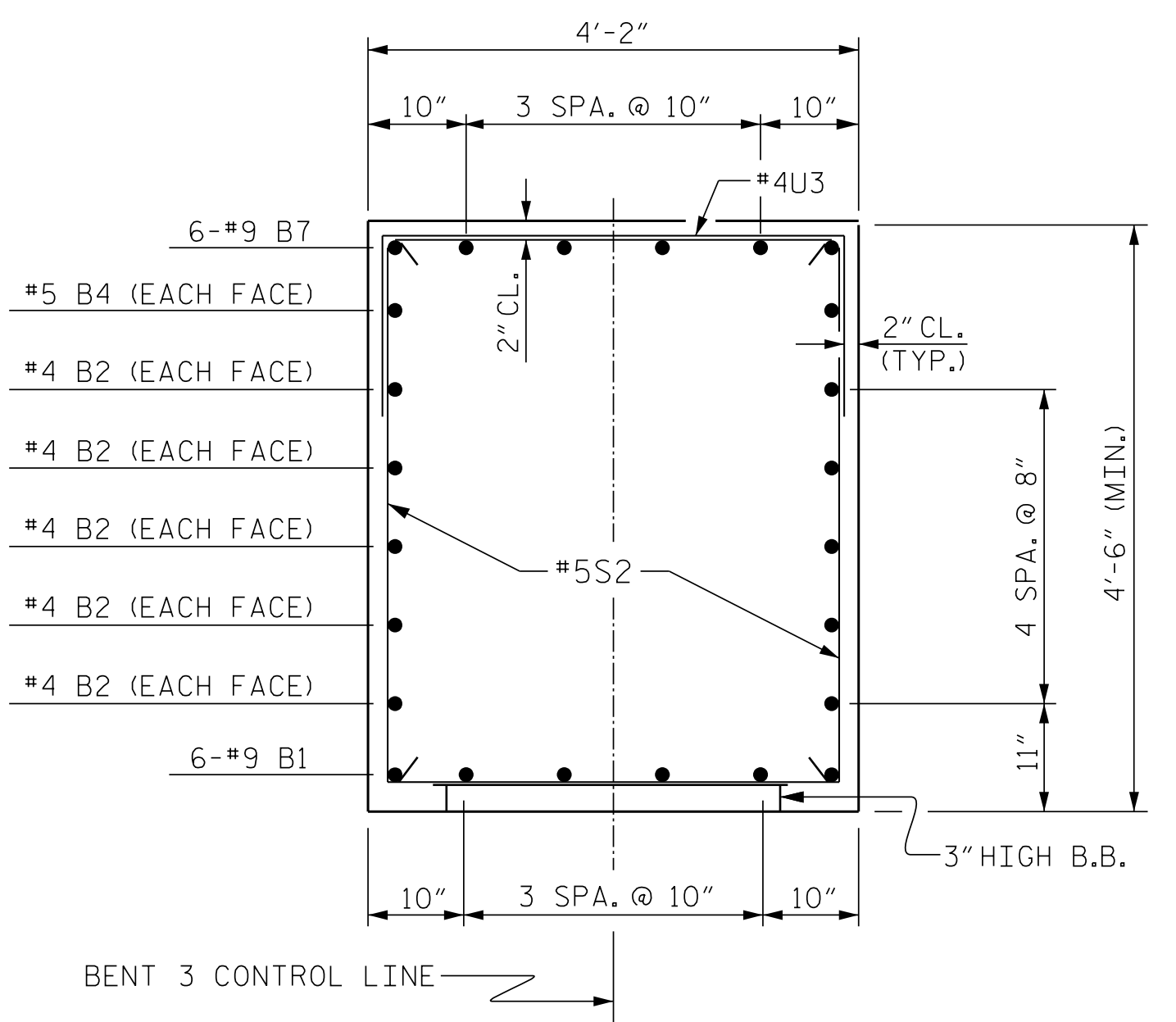
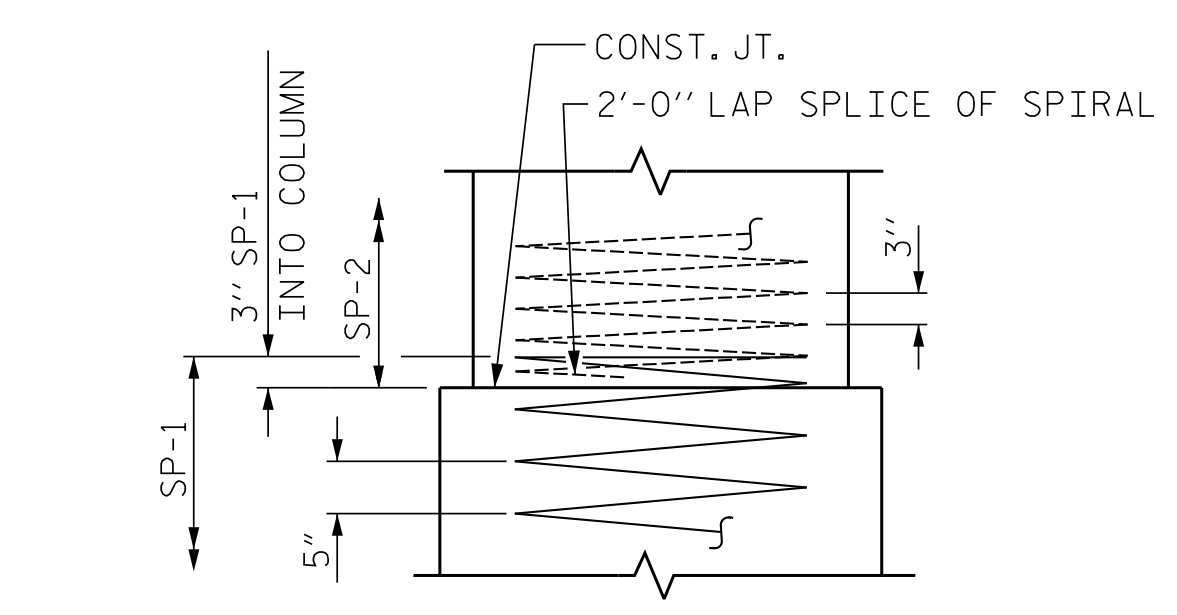
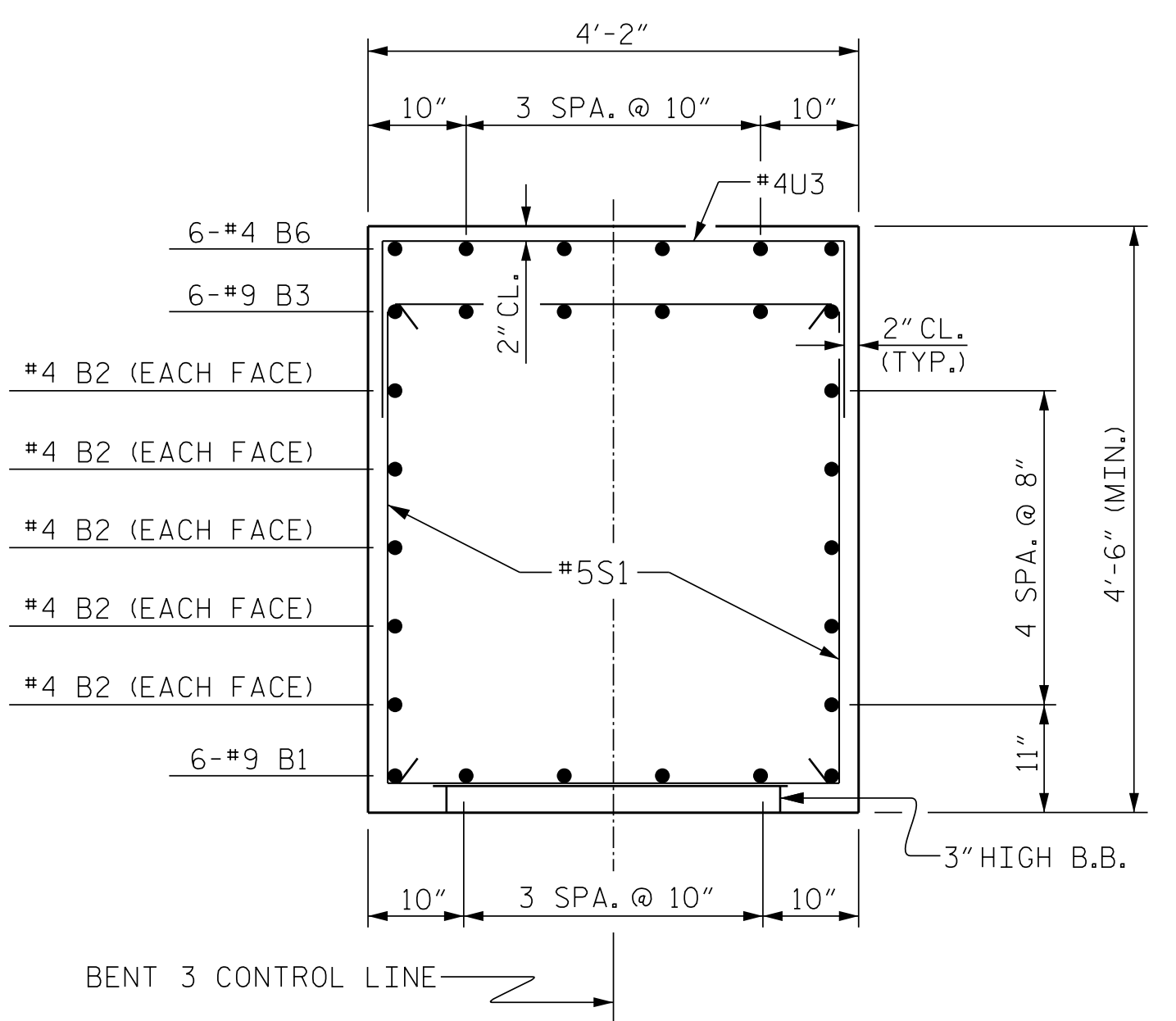
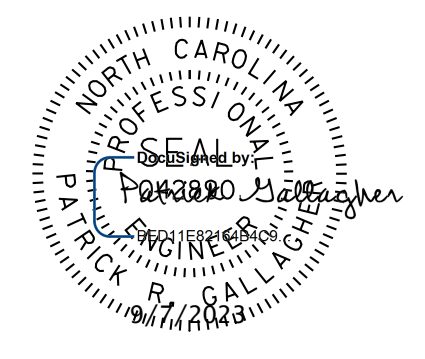


BILL OF MATERIAL					
BENT NO. 3					
BAR	NO.	SIZE	TYPE	LENGTH	WEIGHT
B1	6	#9	STR	34'-6"	704
B2	10	#4	STR	34'-6"	230
B3	6	#9	1	29'-4"	598
B4	2	#4	STR	8'-10"	12
B5	2	#4	STR	3'-10"	5
B6	6	#4	STR	10'-6"	42
B7	6	#9	1	12'-11"	263
M1	96	#11	1	44'-1"	22,485
S1	27	#5	2	13'-0"	366
S2	19	#5	2	14'-4"	284
U1	5	#4	3	7'-1"	24
U2	5	#4	3	8'-0"	27
U3	47	#4	3	6'-10"	215
V1	48	#9	1	19'-11"	3250
REINFORCING STEEL				28,505 LBS.	
SP-1	3	**	4	1808'-1"	5657
SP-2	3	*	5	697'-4"	1387
SPIRAL COLUMN REINFORCING STEEL				7,044 LBS.	
** THE SP-1 SPIRAL REINFORCING STEEL SHALL BE W31 OR D-31 COLD DRAWN WIRE OR #5 PLAIN OR DEFORMED BAR					
* THE SP-2 SPIRAL REINFORCING STEEL SHALL BE W20 OR D-20 COLD DRAWN WIRE OR #4 PLAIN OR DEFORMED BAR					
CLASS A CONCRETE BREAKDOWN					
POUR #2 (COLUMNS)				18.2 C.Y.	
POUR #3 (CAP)				26.3 C.Y.	
TOTAL CLASS A CONCRETE				44.5 C.Y.	
DRILLED PIERS:					
DRILLED PIER CONCRETE POUR #1 (DRILLED PIERS)				106.8 C.Y.	



PROJECT NO. B-4926  
LENOIR COUNTY  
 STATION: 25+45.00 -L-  
 SHEET 2 OF 2



STATE OF NORTH CAROLINA  
 DEPARTMENT OF TRANSPORTATION  
 RALEIGH  
 SUBSTRUCTURE  
 BENT NO. 3

**DOCUMENT NOT CONSIDERED FINAL UNLESS ALL SIGNATURES COMPLETED**

**JMT** Johnson, Mirmiran, & Thompson Inc.  
 4700 Falls of Neuse Rd, Suite 100,  
 Raleigh, NC, 27609  
 License No: C-3097

REVISIONS						SHEET NO.
NO.	BY:	DATE:	NO.	BY:	DATE:	S1-39
1			3			TOTAL SHEETS
2			4			49

W:\Projects\2024\Bent No. 3\Structures\2024\Bent No. 3 - B-4926.dwg  
 DWN. BY: WDC DATE: 03/2023  
 CHKD. BY: PRG DATE: 03/2023  
 DES. EGR. OF RECORD: PRG DATE: 03/2023